

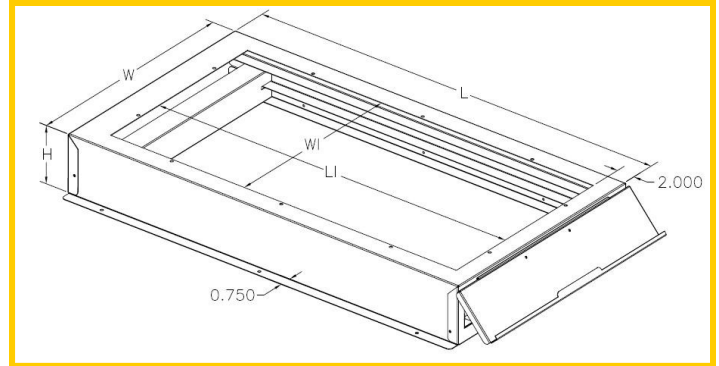
# Air-Tite Series

## FILTER HOUSINGS FOR ELECTRIC AIR HANDLERS



FSFHE1420-3

- Solid cabinet design is spot welded and riveted for sturdiness and long life.
- Tabs have rounded corners.
- Mounting holes are provided for faster installation.
- Individually boxed for convenient shipping and warehousing.



### Description

- The new **Air-Tite Series** Filter Housings by Five Seasons offer the most well-built, sleek designed and easiest to use galvanized sheet metal filter housings on the market, for residential and light commercial use.
- Allows for easy access to furnace filters—no panels or door to remove.
- Made to fit all electric air handlers through 5 tons.
- Makes a clean and professional installation.
- Uses standard size pleated or panel filters.

### Standard Features

- Fully hinged door with magnetic latch and integrated handle provide a tight seal, eliminating air and debris from entering the filter box from surrounding area.
- Removable rails are easy to change to accommodate different filter sizes.
- Heavy 22 gauge galvanized sheet metal has been die cut for smooth edges, allowing for a smooth installation.

### AIR-TITE HOUSING - FOR 1" or 2" FILTERS

MODEL NO.	OUTSIDE DIMENSIONS			OPENING		FILTER SIZE
	W	H	L	W1	L1	
FSFHE1420-3	15 <sup>3</sup> / <sub>8</sub>	4	22	12 <sup>5</sup> / <sub>8</sub>	18 <sup>3</sup> / <sub>4</sub>	14 x 20
FSFHE1620-3	17 <sup>3</sup> / <sub>8</sub>	4	22	14 <sup>5</sup> / <sub>8</sub>	18 <sup>3</sup> / <sub>4</sub>	16 x 20
FSFHE2020-3	21 <sup>3</sup> / <sub>8</sub>	4	22	18 <sup>5</sup> / <sub>8</sub>	18 <sup>3</sup> / <sub>4</sub>	20 x 20
FSFHE2020-3T	23 <sup>1</sup> / <sub>2</sub>	4	22	19 <sup>3</sup> / <sub>4</sub>	18 <sup>3</sup> / <sub>4</sub>	20 x 20
FSFHE2025-3	26 <sup>3</sup> / <sub>8</sub>	4	22	23 <sup>3</sup> / <sub>8</sub>	18 <sup>3</sup> / <sub>4</sub>	20 x 25
FSFHE2025-3N	21 <sup>3</sup> / <sub>8</sub>	4	25	18 <sup>5</sup> / <sub>8</sub>	21 <sup>3</sup> / <sub>4</sub>	20 x 25

### AIR-TITE HOUSING - FOR 1" FILTERS

MODEL NO.	OUTSIDE DIMENSIONS			OPENING		FILTER SIZE
	W	H	L	W1	L1	
FSFHE1420-2	15 <sup>3</sup> / <sub>8</sub>	3	22	12 <sup>5</sup> / <sub>8</sub>	18 <sup>3</sup> / <sub>4</sub>	14 x 20
FSFHE1620-2	17 <sup>3</sup> / <sub>8</sub>	3	22	14 <sup>5</sup> / <sub>8</sub>	18 <sup>3</sup> / <sub>4</sub>	16 x 20
FSFHE2020-2	21 <sup>3</sup> / <sub>8</sub>	3	22	18 <sup>5</sup> / <sub>8</sub>	18 <sup>3</sup> / <sub>4</sub>	20 x 20
FSFHE-2025-2	26 <sup>3</sup> / <sub>8</sub>	3	22	23 <sup>3</sup> / <sub>8</sub>	18 <sup>3</sup> / <sub>4</sub>	20 x 25
FSFHE2025-2N	21 <sup>3</sup> / <sub>8</sub>	3	25	18 <sup>5</sup> / <sub>8</sub>	21 <sup>3</sup> / <sub>4</sub>	20 x 25

### AIR-TITE HOUSING - FOR 1", 2" or 4" FILTERS

MODEL NO.	OUTSIDE DIMENSIONS			OPENING		FILTER SIZE
	W	H	L	W1	L1	
FSFHE1420-6	15 <sup>3</sup> / <sub>8</sub>	6	22	12 <sup>5</sup> / <sub>8</sub>	18 <sup>3</sup> / <sub>4</sub>	14 x 20
FSFHE1620-6	17 <sup>3</sup> / <sub>8</sub>	6	22	14 <sup>5</sup> / <sub>8</sub>	18 <sup>3</sup> / <sub>4</sub>	16 x 20
FSFHE2020-6	21 <sup>3</sup> / <sub>8</sub>	6	22	18 <sup>5</sup> / <sub>8</sub>	18 <sup>3</sup> / <sub>4</sub>	20 x 20
FSFHE2020-6T	23 <sup>1</sup> / <sub>2</sub>	6	22	19 <sup>3</sup> / <sub>4</sub>	18 <sup>3</sup> / <sub>4</sub>	20 x 20
FSFHE2025-6	26 <sup>3</sup> / <sub>8</sub>	6	22	23 <sup>3</sup> / <sub>8</sub>	18 <sup>3</sup> / <sub>4</sub>	20 x 25
FSFHE2025-6N	21 <sup>3</sup> / <sub>8</sub>	6	25	18 <sup>5</sup> / <sub>8</sub>	21 <sup>3</sup> / <sub>4</sub>	20 x 25



FIVE SEASONS COMFORT LIMITED

351 North Rivermede Road, Concord, Ontario, Canada L4K 3N2

Tel: (416) 213-5636 Fax: (416) 213-5593

Toll Free North America: 1-800-267-8305

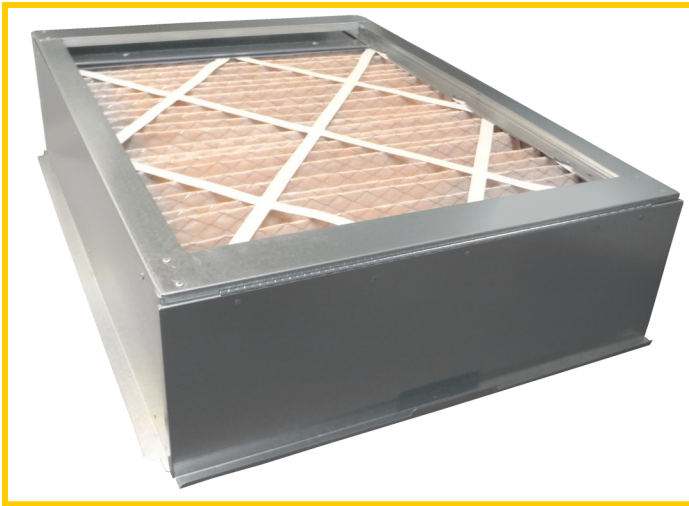
Email: [info@fiveseasonsaircleaners.com](mailto:info@fiveseasonsaircleaners.com)

Web: [www.fiveseasonsaircleaners.com](http://www.fiveseasonsaircleaners.com)

FSFilterHouseElectricSpec  
03/12

# Air-Tite Series

## FILTER HOUSING MEDIA AIR CLEANERS FOR ELECTRIC AIR HANDLERS

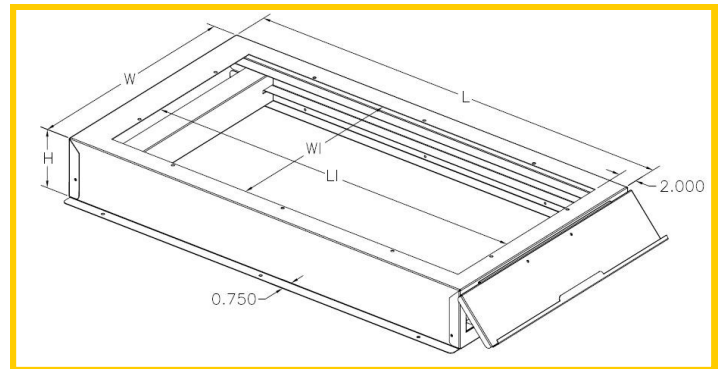


### Standard Features

- Fully hinged door with magnetic latch and integrated handle provides a tight seal, eliminating air and debris from entering the filter box from surrounding area.
- Heavy 22 gauge galvanized sheet metal has smooth edges allowing for a smoother installation.
- Solid cabinet design is spot welded and riveted for sturdiness and long life.
- Tabs have rounded corners.
- Mounting holes are provided for faster installation.
- Individually boxed for convenient shipping and warehousing.

### Description

- The new **Air-Tite Series** Filter Housing Media Air Cleaners by Five Seasons offer the most well-built, sleek designed and easiest to use galvanized sheet metal filter housings on the market, for residential and light commercial use.
- Allows for easy access to furnace filters—no panels or door to remove.
- Made to fit electric air handlers.
- Makes a clean and professional installation.
- High efficiency **MERV 11** Media Filter is an extra deep, 5¼ inch, 24 pleat filter which contains more media material than other filters on the market. More surface area means more collection area, longer filter life and lower static pressure. Filter lasts up to one year.



### AIR-TITE HOUSING - FITS 5 ¼" MERV 11 MEDIA FILTERS

MODEL NO.	OUTSIDE DIMENSIONS			OPENING		REPLACEMENT FILTER	FILTER SIZE
	W	H	L	W1	L1		
FSFHE1420-7	15 <sup>5</sup> / <sub>8</sub>	7 <sup>3</sup> / <sub>8</sub>	22 <sup>1</sup> / <sub>8</sub>	12 <sup>7</sup> / <sub>8</sub>	18	MAH-1056A	14 x 22 x 5¼
FSFHE1620-7	17 <sup>3</sup> / <sub>8</sub>	7 <sup>3</sup> / <sub>8</sub>	22 <sup>1</sup> / <sub>8</sub>	14 <sup>5</sup> / <sub>8</sub>	18	MFAH-S	15-7/16 x 21-15/16 x 5¼
FSFHE2020-7	21 <sup>5</sup> / <sub>8</sub>	7 <sup>3</sup> / <sub>8</sub>	22 <sup>1</sup> / <sub>8</sub>	18 <sup>7</sup> / <sub>8</sub>	18	MAH-1056B	19¾ x 22 x 5¼
FSFHE2025-7	26 <sup>5</sup> / <sub>8</sub>	7 <sup>3</sup> / <sub>8</sub>	22 <sup>1</sup> / <sub>8</sub>	23 <sup>7</sup> / <sub>8</sub>	18	M8-1056	20¼ x 25 <sup>3</sup> / <sub>8</sub> x 5¼
FSFHE2025-7N	21 <sup>5</sup> / <sub>8</sub>	7 <sup>3</sup> / <sub>8</sub>	25½	18 <sup>7</sup> / <sub>8</sub>	21 <sup>3</sup> / <sub>8</sub>	M8-1056	20¼ x 25 <sup>3</sup> / <sub>8</sub> x 5¼
FSFHE2224-7	23 <sup>3</sup> / <sub>8</sub>	7 <sup>3</sup> / <sub>8</sub>	24 <sup>1</sup> / <sub>8</sub>	20 <sup>5</sup> / <sub>8</sub>	20	MFAH-L	22 <sup>1</sup> / <sub>8</sub> x 24 x 5¼

Breathe Clean  
Live Green 

 **Five Seasons**®

FIVE SEASONS COMFORT LIMITED

351 North Rivermede Road, Concord, Ontario, Canada L4K 3N2

Tel: (416) 213-5636 Fax: (416) 213-5593

Toll Free North America: 1-800-267-8305

Email: [info@fiveseasonsaircleaners.com](mailto:info@fiveseasonsaircleaners.com) Web: [www.fiveseasonsaircleaners.com](http://www.fiveseasonsaircleaners.com)

FSFilterHouseMediaElecSpec  
04/12

# Air-Tite Series

## FILTER HOUSINGS FOR GAS FURNACES



FSFHG1625-3

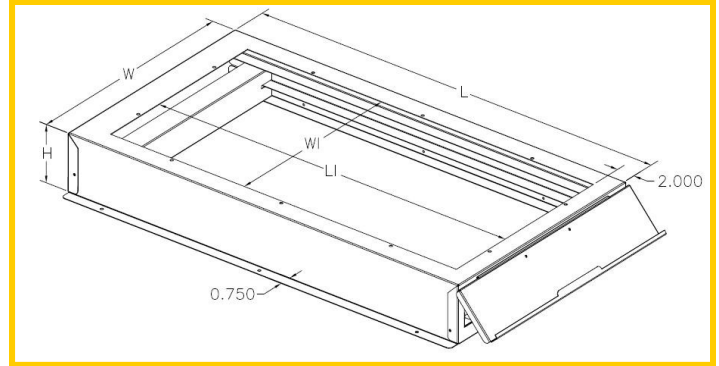
### Description

- The new **Air-Tite Series** Filter Housings by Five Seasons offer the most well-built, sleek designed and easiest to use galvanized sheet metal filter housings on the market, for residential and light commercial use.
- Allows for easy access to furnace filters—no panels or door to remove.
- Made to fit all gas furnaces through 5 tons.
- Makes a clean and professional installation.
- Uses standard size pleated or panel filters.

### Standard Features

- Fully hinged door with magnetic latch and integrated handle provides a tight seal, eliminating air and debris from entering the filter box from surrounding area.
- Removable rails are easy to change to accommodate different filter sizes.
- Heavy 22 gauge galvanized sheet metal has been die cut for smooth edges, allowing for a smooth installation.

- Solid cabinet design is spot welded and riveted for sturdiness and long life.
- Tabs have rounded corners.
- Mounting holes are provided for faster installation.
- Individually boxed for convenient shipping and warehousing.



### AIR-TITE HOUSING - FOR 1" or 2" FILTERS

MODEL NO.	OUTSIDE DIMENSIONS			OPENING		FILTER SIZE
	W	H	L	W1	L1	
FSFHG1425-3	15 <sup>3</sup> / <sub>8</sub>	4	28 <sup>1</sup> / <sub>2</sub>	12 <sup>5</sup> / <sub>8</sub>	25 <sup>1</sup> / <sub>4</sub>	14 x 25
FSFHG1625-3	17 <sup>3</sup> / <sub>8</sub>	4	28 <sup>1</sup> / <sub>2</sub>	14 <sup>5</sup> / <sub>8</sub>	25 <sup>1</sup> / <sub>4</sub>	16 x 25
FSFHG2025-3	21 <sup>1</sup> / <sub>8</sub>	4	28 <sup>1</sup> / <sub>2</sub>	18 <sup>5</sup> / <sub>8</sub>	25 <sup>1</sup> / <sub>4</sub>	20 x 25
FSFHG2424-3	25 <sup>3</sup> / <sub>8</sub>	4	28 <sup>1</sup> / <sub>2</sub>	22 <sup>5</sup> / <sub>8</sub>	25 <sup>1</sup> / <sub>4</sub>	24 x 24
FSFHG3025-3	31 <sup>3</sup> / <sub>8</sub>	4	28 <sup>1</sup> / <sub>2</sub>	28 <sup>5</sup> / <sub>8</sub>	25 <sup>1</sup> / <sub>4</sub>	30 x 25

### AIR-TITE HOUSING - FOR 1" FILTERS

MODEL NO.	OUTSIDE DIMENSIONS			OPENING		FILTER SIZE
	W	H	L	W1	L1	
FSFHG1425-2	15 <sup>3</sup> / <sub>8</sub>	3	28 <sup>1</sup> / <sub>2</sub>	12 <sup>5</sup> / <sub>8</sub>	25 <sup>1</sup> / <sub>4</sub>	14 x 25
FSFHG1625-2	17 <sup>3</sup> / <sub>8</sub>	3	28 <sup>1</sup> / <sub>2</sub>	14 <sup>5</sup> / <sub>8</sub>	25 <sup>1</sup> / <sub>4</sub>	16 x 25
FSFHG2025-2	21 <sup>1</sup> / <sub>8</sub>	3	28 <sup>1</sup> / <sub>2</sub>	18 <sup>5</sup> / <sub>8</sub>	25 <sup>1</sup> / <sub>4</sub>	20 x 25
FSFHG2424-2	25 <sup>3</sup> / <sub>8</sub>	3	28 <sup>1</sup> / <sub>2</sub>	22 <sup>5</sup> / <sub>8</sub>	25 <sup>1</sup> / <sub>4</sub>	24 x 24
FSFHG3025-2	31 <sup>3</sup> / <sub>8</sub>	3	28 <sup>1</sup> / <sub>2</sub>	28 <sup>5</sup> / <sub>8</sub>	25 <sup>1</sup> / <sub>4</sub>	30 x 25

### AIR-TITE HOUSING - FOR 1", 2" or 4" FILTERS

MODEL NO.	OUTSIDE DIMENSIONS			OPENING		FILTER SIZE
	W	H	L	W1	L1	
FSFHG1425-6	15 <sup>3</sup> / <sub>8</sub>	6	28 <sup>1</sup> / <sub>2</sub>	12 <sup>5</sup> / <sub>8</sub>	25 <sup>1</sup> / <sub>4</sub>	14 x 25
FSFHG1625-6	17 <sup>3</sup> / <sub>8</sub>	6	28 <sup>1</sup> / <sub>2</sub>	14 <sup>5</sup> / <sub>8</sub>	25 <sup>1</sup> / <sub>4</sub>	16 x 25
FSFHG2025-6	21 <sup>1</sup> / <sub>8</sub>	6	28 <sup>1</sup> / <sub>2</sub>	18 <sup>5</sup> / <sub>8</sub>	25 <sup>1</sup> / <sub>4</sub>	20 x 25
FSFHG2424-6	25 <sup>3</sup> / <sub>8</sub>	6	28 <sup>1</sup> / <sub>2</sub>	22 <sup>5</sup> / <sub>8</sub>	25 <sup>1</sup> / <sub>4</sub>	24 x 24
FSFHG3025-6	31 <sup>3</sup> / <sub>8</sub>	6	28 <sup>1</sup> / <sub>2</sub>	28 <sup>5</sup> / <sub>8</sub>	25 <sup>1</sup> / <sub>4</sub>	30 x 25



FIVE SEASONS COMFORT LIMITED

351 North Rivermede Road, Concord, Ontario, Canada L4K 3N2

Tel: (416) 213-5636 Fax: (416) 213-5593

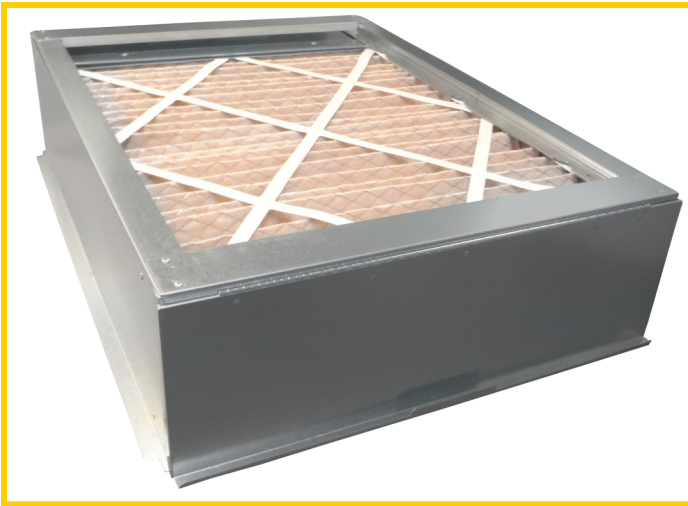
Toll Free North America: 1-800-267-8305

Email: info@fiveseasonsaircleaners.com

Web: www.fiveseasonsaircleaners.com

# Air-Tite Series

## FILTER HOUSING MEDIA AIR CLEANERS FOR GAS FURNACES

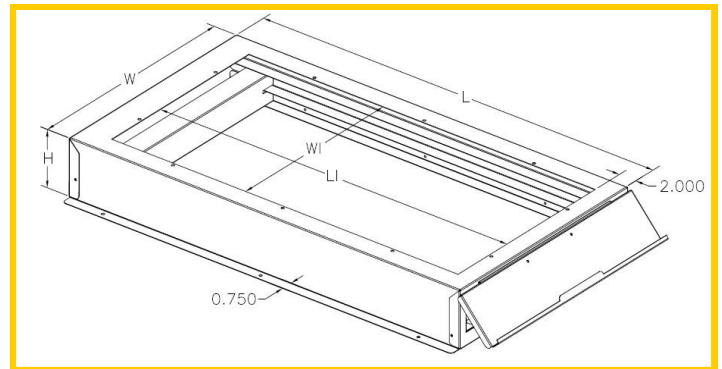


### Standard Features

- Fully hinged door with magnetic latch and integrated handle provides a tight seal, eliminating air and debris from entering the filter box from surrounding area.
- Heavy 22 gauge galvanized sheet metal has smooth edges allowing for a smoother installation.
- Solid cabinet design is spot welded and riveted for sturdiness and long life.
- Tabs have rounded corners.
- Mounting holes are provided for faster installation.
- Individually boxed for convenient shipping and warehousing.

### Description

- The new **Air-Tite Series** Filter Housing Media Air Cleaners by Five Seasons offer the most well-built, sleek designed and easiest to use galvanized sheet metal filter housings on the market, for residential and light commercial use.
- Allows for easy access to furnace filters—no panels or door to remove.
- Made to fit gas upflow furnaces.
- Makes a clean and professional installation.
- High efficiency **MERV 11** Media Filter is an extra deep, 5¼ inch, 24 pleat filter which contains more media material than other filters on the market. More surface area means more collection area, longer filter life and lower static pressure. Filter lasts up to one year.



### AIR-TITE HOUSING - FITS 5 ¼" MERV 11 MEDIA FILTERS

MODEL NO.	OUTSIDE DIMENSIONS			OPENING		FILTER SIZE	REPLACEMENT FILTER
	W	H	L	W1	L1		
FSFHG1425-7M1*	17 <sup>3</sup> / <sub>8</sub>	7 <sup>3</sup> / <sub>8</sub>	28 <sup>1</sup> / <sub>2</sub>	12 <sup>5</sup> / <sub>8</sub>	24 <sup>3</sup> / <sub>8</sub>	16 x 25	M1-1056
FSFHG1625-7M1	17 <sup>3</sup> / <sub>8</sub>	7 <sup>3</sup> / <sub>8</sub>	28 <sup>1</sup> / <sub>2</sub>	14 <sup>5</sup> / <sub>8</sub>	24 <sup>3</sup> / <sub>8</sub>	16 x 25	M1-1056
FSFHG2025-7M8	21 <sup>5</sup> / <sub>8</sub>	7 <sup>3</sup> / <sub>8</sub>	28 <sup>1</sup> / <sub>2</sub>	18 <sup>7</sup> / <sub>8</sub>	24 <sup>3</sup> / <sub>8</sub>	20 x 25	M8-1056

\* Use for 14 inch wide furnace only.

Breathe Clean  
Live Green 

 **Five Seasons**®

FIVE SEASONS COMFORT LIMITED

351 North Rivermede Road, Concord, Ontario, Canada L4K 3N2

Tel: (416) 213-5636 Fax: (416) 213-5593

Toll Free North America: 1-800-267-8305

Email: [info@fiveseasonsaircleaners.com](mailto:info@fiveseasonsaircleaners.com) Web: [www.fiveseasonsaircleaners.com](http://www.fiveseasonsaircleaners.com)

# Perfect-Platform

## HIGH EFFICIENCY MEDIA AIR CLEANER PLATFORMS FOR GAS & ELECTRIC FURNACES



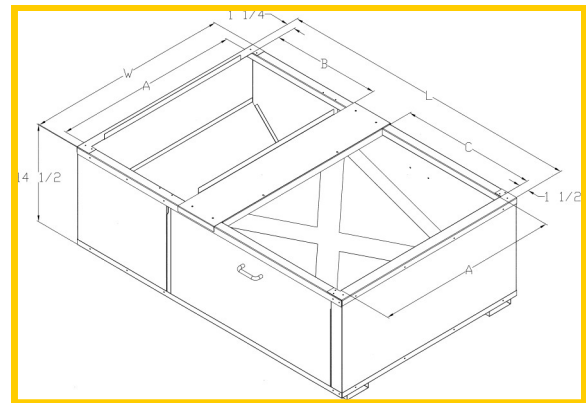
### Description

- The new **Perfect-Platform Series** Media Air Cleaners by Five Seasons offer the most well-built, sleek designed and easiest to use galvanized sheet metal filter housings on the market, for residential and light commercial use.
- Space saving design for vertical installations, keeps furnace off floor allowing a cleaner, more professional installation. Eliminates the possibility of dust, pet hair, insects, rodents, water or sewer backup from entering the furnace.
- Allows furnace to work at maximum efficiency and extends life of furnace by providing even air flow distribution across bottom. Especially ideal for High Efficiency Furnaces, where side returns require more installation time, and are inefficient compared to a bottom return.
- Allows filter to work at maximum efficiency by eliminating need for transitions, deflectors or turning vanes, thereby saving installation time and costs.
- Made to fit 1-3 ton or 3.5 ton electric air handlers or gas furnaces.

- Ideal for homes with allergy, asthma or respiratory sufferers, smokers, pets and mustiness.
- Helps protect and prolong the operating efficiency of the heating and cooling system.

### Standard Features

- High efficiency **MERV 11** Media Filter is an extra deep, 5¼ inch filter which contains more media material than other filters on the market. More surface area means more collection area, longer filter life and lower static pressure. Filter lasts up to one year.
- Two, pull-out doors with handle allow filter access from either side.
- Adjustable inlet duct opening replaces need for field forming transition, significantly reducing installation time.
- Heavy 22 gauge galvanized sheet metal has been die cut for smooth edges, allowing for a smoother installation.
- Solid cabinet is riveted for sturdiness and long life.
- Individually boxed for convenient shipping and warehousing.



MODEL NO.	W	L	A	B	C	FILTER SIZE	REPLACEMENT FILTER
FSFB2832-M8*	28½	32	23¾ 26½	8	13½	20 x 25	M8-1056
FSFB2843-M8*	28½	43	23¾ 26½	10 12	19 22½	20 x 25	M8-1056
FSFB2232-M2	22½	32	20½	9½	14½	20 x 20	M2-1056
FSFB2240-M8	22½	40	20½	12	20	20 x 25	M8-1056

\* Includes removable Duct Adaptor Brackets.

Breathe Clean  
Live Green

 **Five Seasons**®

FIVE SEASONS COMFORT LIMITED

351 North Rivermede Road, Concord, Ontario, Canada L4K 3N2

Tel: (416) 213-5636 Fax: (416) 213-5593

Toll Free North America: 1-800-267-8305

Email: [info@fiveseasonsaircleaners.com](mailto:info@fiveseasonsaircleaners.com) Web: [www.fiveseasonsaircleaners.com](http://www.fiveseasonsaircleaners.com)

FSFilterHousePlatformMediaSpec  
03/12