

Aprilaire®

Air Purifiers

Product Guide



Trusted Solutions for a Healthy Home®

A high performance filter for better indoor air and system protection

One-inch filters have been the standard on system installs for years but they cause a variety of equipment problems: frozen coils, low airflow, inefficient cooling and even flood-back of refrigerant into the compressor. HVAC contractors know that better filtration prevents these problems — homeowners don't.

When you use Aprilaire air purifiers and high-performance filters, you ensure that the HVAC systems you install will last a long time and require fewer unscheduled service trips to homes. This saves your customers money and saves you and your staff valuable time.



A dirty and frozen AC coil caused by a sub-par one-inch filter and an irregular filter replacement schedule.



A clean furnace blower protected for years by an Aprilaire air purifier.

AIR PURIFIER CABINETS

- + 5-year warranty on corrosion-resistant, heavy gauge steel cabinets
- + Load rated up to 400 lbs.
- + Well-suited for all applications, installation types and orientations: attics, basements, upflow, downflow, etc.
- + A wide variety of cabinet sizes including our 31" x 28" low-resistance model and 16" x 25" and 20" x 25" Easy Install models
- + UL listed



HIGH PERFORMANCE AIR FILTERS

- + Superior performance to 1" filters in terms of particulate removal, static pressure and system protection
- + Self-Seal® filter design minimizes air bypass
- + Collapsible filters for easy transportation, storage and reduced damage
- + Offer the right replacement filter for homeowner needs
 - Clean air
 - Healthy home
 - Allergy and asthma

Choose filters designed for HVAC performance

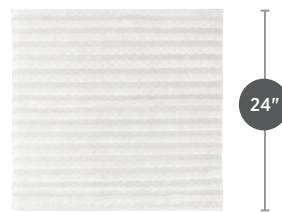
Aprilaire's air purifiers are designed for years of trouble free performance. Our filters fit securely in our cabinets with our Interlock Rail System, and our Self-Seal® technology assures no air bypass.

APRILAIRE FILTER LASTS 6 TO 12 MONTHS



47.8 Sq. Ft.*

TRADITIONAL 1" FILTER LASTS 1 TO 3 MONTHS



3.4 Sq. Ft.



259"

24"

Over 14x
MORE FILTER AREA for removing harmful particles

As the leader in IAQ and whole-home filtration, Aprilaire offers homeowners and installers peace-of-mind and assurance that all aspects of our filters come together to provide you with the best air purifier on the market today.



PURE FIT PROMISE

The Aprilaire Pure Fit Promise guarantees a filter that is not only made to fit flawlessly into an Aprilaire air purifier, but one that also provides purer, healthier air.



SELF-SEAL FILTER

Our Patented Self-Seal technology works like this: the excess filter on either side of the Interlock Rails collect at the back and front of the air purifier in order to create a seal that allows no air to pass by unfiltered.



INTERLOCK RAILS

The Aprilaire Interlock Rail System allows our high-performance air filter to work without unnecessary cardboard framing, or plastic or metal reinforcements. It also ensures that no air bypass occurs over or under the filter.



CLEAN-COIL GUARANTEE

Should a homeowner's indoor air conditioner coil require a

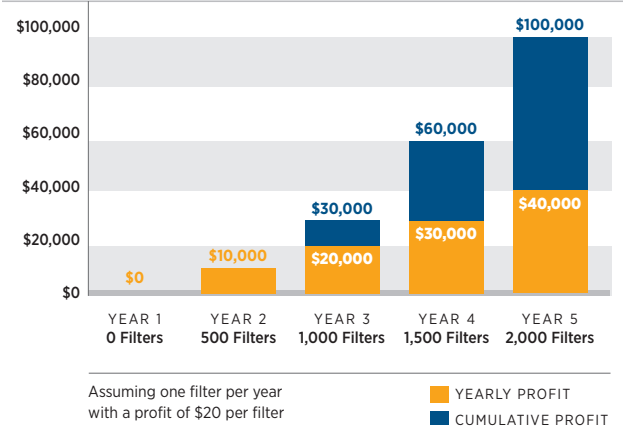
professional cleaning at any time up to 10 years after being installed with an Aprilaire air purifier, we will pay \$100 toward that cleaning by an HVAC contractor.

*Area of a 20" x 25" Model 216 filter

Growing your business with Aprilaire

In addition to the system protection and improved indoor air quality that comes with adding an Aprilaire air purifier on every job, **annual filter replacement with system check-ups and service agreements** earn you additional revenue. The addition of MERV 16 Allergy & Asthma and Odor Reduction filters to our lineup gives you even more replacement filter options to offer your customers.

APRILAIRE FILTER PROFITS ON AN ANNUAL AND FIVE-YEAR CUMULATIVE BASIS



Aprilaire offers upgrade rail kits that fit into our older Aprilaire and Space-Gard cabinets (Models 2200 and 2400). We also offer competitive upgrade rails that fit into a variety of air cleaners made by other manufacturers. Both types of rails allow you to use the same high-performance filters that fit into the air purifiers we offer today. This means you can earn even more revenue from Aprilaire replacement filters on every air purifier you've installed—past, present and future.

If you're serious about the need for putting an Aprilaire air purifier on every job, we can help keep your name on top of your customers' minds by **imprinting our air purifier doors with your logo and contact information**. Every time your customers need a new filter, they'll know exactly who to contact. Contact your District Sales Manager for more information.



The right filter for every home

GENUINE **Aprilaire** AIR FILTER

Allergy & Asthma

REMOVES **99%** OF ASTHMA TRIGGERS

EFFICIENCY RATED **MERV 16**
6-MONTH LIFE

STOCK NO. **216**

1201 | 1620 | 1210 | 1226 | 1230 | 1231 | 14200

PROTECTS YOUR HVAC SYSTEM

Pollen Mold Spores Bacteria Pet Dander Dust

Dust Mite Tobacco Smoke Pollution (Smog) Virus

REMOVES UP TO 99% OF ASTHMA TRIGGERS

- + MERV 16 performance
- + Low resistance
- + Removes up to 99% of allergy & asthma triggers
- + Superior system protection
- + Up to 6-month filter life

GENUINE **Aprilaire** AIR FILTER

Odor Reduction

REMOVES PET & COOKING ODORS

EFFICIENCY RATED **MERV 13**
6-MONTH LIFE

STOCK NO. **213** **CBN** **ODOR**

1201 | 1620 | 1210 | 1226 | 1230 | 1231 | 14200

PROTECTS YOUR HVAC SYSTEM

Pollen Mold Spores Bacteria Pet Dander

Dust Dust Mite Odor

REMOVES PET & COOKING ODORS, VOCs & PARTICULATE

- + MERV 13 performance plus odor reduction
- + The most activated carbon added to any air filter
- + Reduces noticeable odors caused by pets, cooking and common household VOCs
- + Up to 6-month filter life

GENUINE **Aprilaire** AIR FILTER

Healthy Home

REMOVES MOST COMMON ALLERGENS

EFFICIENCY RATED **MERV 13**
1-YEAR LIFE

STOCK NO. **213**

1201 | 1620 | 1210 | 1226 | 1230 | 1231 | 14200

PROTECTS YOUR HVAC SYSTEM

Pollen Mold Spores Bacteria Pet Dander Dust Dust Mite

REMOVES MOST COMMON ALLERGENS

- + MERV 13 performance
- + Designed for homeowners with low-to-moderate allergy problems
- + Low resistance
- + Up to 1-year filter life

GENUINE **Aprilaire** AIR FILTER

Clean Air

VACUUM & DUST LESS OFTEN

EFFICIENCY RATED **MERV 11**
1-YEAR LIFE

STOCK NO. **210**

1201 | 1620 | 1210 | 1226 | 1230 | 1231 | 14200

PROTECTS YOUR HVAC SYSTEM

Pollen Mold Spores Bacteria Pet Dander Dust

VACUUM AND DUST LESS OFTEN

- + MERV 11 performance
- + Particulate removal, system protection and static pressure superior to 1" filters
- + Vacuum and dust less often
- + Up to 1-year filter life

Features and benefits



2000 Series with Allergy & Asthma MERV 16 filters

- + Offers the best performance in terms of particulate removal, system protection and relief for allergy and asthma sufferers
- + Model 2516 air purifier offers the lowest resistance with a MERV 16 filter in the industry designed for higher tonnage systems
- + Also compatible with our Odor Reduction, MERV 13 and MERV 11 filters
- + Minimal maintenance required – simply replace filters once every 6 months or more
- + 216 and 416 filters not recommended for use with 5-ton systems
- + Made of corrosion-resistant heavy-gauge pre-painted steel



2000 Series with Healthy Home MERV 13 filters

- + Also compatible with MERV 16, Odor Reduction, or MERV 11 filters
- + Minimal maintenance required — simply replace filter annually
- + Made of corrosion-resistant heavy-gauge pre-painted steel
- + Low resistance



1000 Series with Clean Air MERV 11 filters

- + Can be upgraded to MERV 16, Odor Reduction, or MERV 13 filter with simple filter change
- + Minimal maintenance required — simply replace filter annually
- + Model 1510 is designed for low static pressure on higher tonnage residential HVAC installations including geothermal systems, eliminating the need for multiple air purifiers on one system
- + Made of corrosion-resistant heavy-gauge galvanized steel

3000 Series air purifiers include our model 8476 thermostat with Event-Based™ Air Purification, which gives homeowners on-demand control.



Air purifier and filter specifications

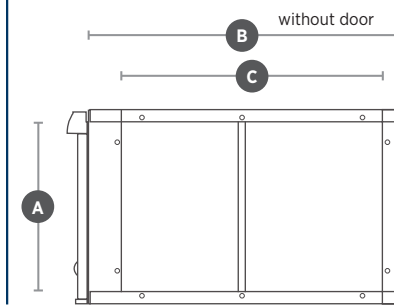


Cabinet specifications

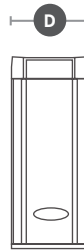


Air Purifier Series	16x20	20x25	20x20	16x25	31x28	25x20
1000 SERIES Ships with MERV 11	1110	1210	1310	1410	1510	1910
2000 SERIES Ships with MERV 13	-	2210	2310	2410	-	-
2000 SERIES Ships with MERV 16	-	2216	-	2416	2516	-

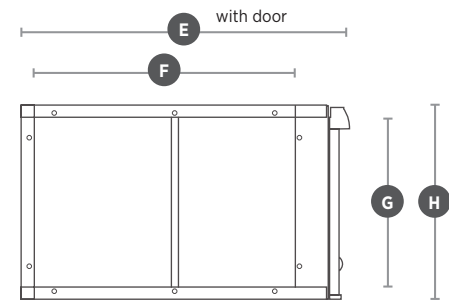
Inlet Side Return Duct Connection



Front



Outlet Side Furnace Connection



Dim.	Description	16x20	20x25	20x20	16x25	31x28	25x20
A	Inlet Opening Height	15 ⁷ / ₁₆ " (392mm)	19 ³ / ₄ " (502mm)	18 ¹ / ₁₆ " (459mm)	15 ⁷ / ₁₆ " (392mm)	28 ²³ / ₃₂ " (730mm)	22 ³ / ₄ " (459mm)
B	Outer Housing Depth without Door	20 ¹ / ₁₆ " (510mm)	25 ⁵ / ₁₆ " (645mm)	20 ¹ / ₁₆ " (510mm)	28 ¹ / ₁₆ " (713mm)	28 ¹ / ₁₆ " (712mm)	20 ¹ / ₁₆ " (510mm)
C	Inlet Opening Width	17 ⁷ / ₈ " (441mm)	21 ³ / ₁₆ " (538mm)	15 ⁷ / ₈ " (403mm)	23 ⁷ / ₈ " (606mm)	23 ⁷ / ₈ " (607mm)	15 ⁷ / ₈ " (403mm)
D	Unit Width	6 ³ / ₄ " (171mm)	6 ³ / ₄ " (171mm)	6 ³ / ₄ " (171mm)	6 ³ / ₄ " (171mm)	6 ³ / ₄ " (171mm)	6 ³ / ₄ " (171mm)
E	Outer Housing Depth with Door	22 ¹ / ₁₆ " (560mm)	27 ⁷ / ₈ " (695mm)	22 ¹ / ₁₆ " (560mm)	30 ¹ / ₁₆ " (763mm)	30 ¹ / ₁₆ " (763mm)	22 ¹ / ₁₆ " (560mm)
F	Outlet Opening Width	17 ⁷ / ₈ " (441mm)	21 ³ / ₁₆ " (538mm)	15 ⁷ / ₈ " (403mm)	23 ⁷ / ₈ " (606mm)	23 ⁷ / ₈ " (606mm)	15 ⁷ / ₈ " (403mm)
G	Outlet Opening Height	15 ⁷ / ₁₆ " (392mm)	19 ³ / ₄ " (502mm)	18 ¹ / ₁₆ " (459mm)	15 ⁷ / ₁₆ " (392mm)	28 ²³ / ₃₂ " (730mm)	22 ³ / ₄ " (578mm)
H	Unit Height	17 ³ / ₄ " (451mm)	22 ¹ / ₁₆ " (560mm)	20 ³ / ₈ " (518mm)	17 ³ / ₄ " (451mm)	31" (788mm)	25 ¹ / ₁₆ " (637mm)

Air Purifier Series		20x25*		16x25*
EASY INSTALL Ships with MERV 11		1620		1610

*See full dimensions on page 12

Filter specifications



Filter Series	16x20	20x25	20x20	16x25	31x28	25x20
CLEAN AIR MERV 11	110	210	310	410	510	910
HEALTHY HOME MERV 13	113	213	313	413	513	913
ODOR REDUCTION MERV 13	-	213CBN	-	413CBN	513CBN	-
ALLERGY & ASTHMA MERV 16	-	216	-	416	516	-

REMOVAL EFFICIENCY (Based on Particle Size)			
	0.3–1.0 Microns	1.0–3.0 Microns	3.0–10.0 Microns
MERV 16	95%	98%	99%
MERV 13	63%	88%	93%
MERV 11	37%	67%	92%
MERV 10	22%	56%	92%
EAP (Model 5000)	89%	95%	98%

Test Method – MERV 10-16 –ASHRAE 52.2.2012, EAP – AHRI 680-2009

REPLACEMENT FILTERS					
	Filter No.	Used with Aprilaire Air Purifier Models	Nominal Size (in inches)	Static Pressure Drop (in. w.c.) @ 1200 CFM	Maximum Airflow Capacity (in CFM)
MERV 10	201	2200 Space-Gard*, 2200 Aprilaire*	20" x 25"	0.14	2000
	401	2400 Space-Gard*, 2400 Aprilaire*	16" x 25"	0.14	2000
EAP	501	5000	16" x 25"	0.14	2000

*Air purifier models no longer available.

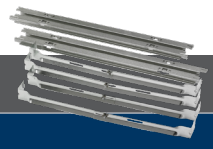
Upgrade kit specifications



UPGRADE KITS

MERV 13

Filter No.	Used With Space-Gard & Aprilaire Air Purifier Models	Nominal Size (in inches)	Included Filter	Static Pressure Drop (in. w.c.) @ 1200 CFM	Maximum Airflow Capacity (in CFM)
1213	2200*	20" x 25"	213	0.15	2000
1413	2400*	16" x 25"	413	0.17	2000



COMPETITIVE UPGRADE RAILS

Upgrade Kit	Fits Air Purifier Size	Filters	Fits Air Purifier Models By:	Maximum Airflow Capacity (in CFM)
Model 4897	16" x 25"	610, 613	Carrier General Honeywell	2000
	20" x 25"	810, 813		2000
Model 4898	16" x 20"	110, 113	Lennox Trion Ultravation	1200
	20" x 20"	310, 313		1200

Our Wi-Fi thermostats and mobile device apps are designed to give homeowners complete control over their installed Aprilaire products and improve the quality of their home's indoor air. The Event-Based™ Air Purifying feature on both the thermostat and app turns on the HVAC fan for a period of time so the air purifier can remove dust and particles after vacuuming, for example. The feature can be selected for longer periods of time to provide relief for allergy sufferers in the home as well. Whatever the problem, Aprilaire's Event-Based™ Air Purifying is the solution.



Model 8920W

- + Universal 3H/3C or 4H/2C HP
- + Event-Based™ Air Purification
- + Humidity and ventilation
- + Two Part - Three-Wire design
- + Full-color Wi-Fi touchscreen



Model 8910W/8910

- + Universal 3H/3C or 4H/2C HP
- + Event-Based™ Air Purification
- + Humidity and ventilation
- + Two Part - Three-Wire design
- + Touchscreen display
- + Wi-Fi (8910W)



Model 8620W/8620

- + Universal 2H/2C or 4H/2C HP
- + Event-Based™ Air Purification
- + Humidity or ventilation
- + Touchscreen display
- + Wi-Fi (8620W)



Model 8476W/8476

- + Universal 2H/2C or 4H/2C HP
- + Event-Based™ Air Purification
- + Wi-Fi (8476W)

Filter specifications

PRESSURE DROP CHART																	
Filter No.	Static Pressures at Variable CFM (in. w.c.)*																
	200	400	600	800	1000	1200	1400	1600	1800	2000	2200	2400	2600	2800	3000		
MERV 16 ALLERGY & ASTHMA	216	-	0.06	0.09	0.13	0.17	0.23	0.29	0.36	-	-	-	-	-	-	-	
	416	-	0.07	0.11	0.15	0.21	0.28	0.36	-	-	-	-	-	-	-	-	
	516	-	0.04	0.05	0.07	0.10	0.12	0.15	0.17	0.21	0.24	0.28	0.32	0.36	-	-	
MERV 13 HEALTHY HOME	113	0.03	0.07	0.11	0.16	0.22	0.29	-	-	-	-	-	-	-	-	-	
	213	0.02	0.04	0.06	0.09	0.12	0.15	0.19	0.23	0.27	0.31	-	-	-	-	-	
	313	0.03	0.05	0.09	0.13	0.17	0.23	-	-	-	-	-	-	-	-	-	
	413	0.02	0.05	0.07	0.10	0.14	0.17	0.22	0.26	0.31	0.37	-	-	-	-	-	
	513	0.01	0.02	0.04	0.05	0.05	0.07	0.08	0.10	0.11	0.13	0.15	0.17	0.18	0.20	0.23	
	613	0.02	0.05	0.07	0.10	0.14	0.17	0.22	0.26	0.31	0.37	-	-	-	-	-	
	813	0.02	0.04	0.06	0.09	0.12	0.15	0.19	0.23	0.27	0.31	-	-	-	-	-	
	913	-	0.04	0.07	0.10	0.13	0.17	0.22	0.25	0.30	0.35	-	-	-	-	-	
		213CBN	TBD	TBD	TBD	TBD	TBD	TBD	TBD	TBD	TBD	TBD	TBD	TBD	TBD	TBD	TBD
		413CBN	TBD	TBD	TBD	TBD	TBD	TBD	TBD	TBD	TBD	TBD	TBD	TBD	TBD	TBD	TBD
		513CBN	TBD	TBD	TBD	TBD	TBD	TBD	TBD	TBD	TBD	TBD	TBD	TBD	TBD	TBD	TBD
MERV 11 CLEAN AIR	110	0.02	0.05	0.06	0.10	0.14	0.20	-	-	-	-	-	-	-	-	-	
	210	0.02	0.03	0.04	0.06	0.08	0.11	0.13	0.16	0.19	0.22	-	-	-	-	-	
	310	0.02	0.04	0.06	0.10	0.14	0.19	-	-	-	-	-	-	-	-	-	
	410	0.02	0.03	0.05	0.07	0.09	0.12	0.15	0.19	0.22	0.27	-	-	-	-	-	
	510	0.02	0.02	0.03	0.04	0.04	0.05	0.06	0.07	0.09	0.10	0.12	0.14	0.15	0.17	0.19	
	610	0.02	0.03	0.05	0.07	0.09	0.12	0.15	0.19	0.22	0.27	-	-	-	-	-	
	810	0.02	0.03	0.04	0.06	0.08	0.11	0.13	0.16	0.19	0.22	-	-	-	-	-	
	910	-	0.03	0.05	0.07	0.09	0.12	0.15	0.18	0.22	0.27	-	-	-	-	-	
		201	0.02	0.04	0.05	0.08	0.10	0.14	0.17	0.21	0.25	0.29	-	-	-	-	-
	401	0.02	0.04	0.05	0.08	0.10	0.14	0.17	0.21	0.25	0.29	-	-	-	-	-	
EAP	501	0.02	0.04	0.05	0.08	0.10	0.14	0.17	0.21	0.25	0.29	-	-	-	-	-	

*Highest value shown is maximum recommended airflow capacity.

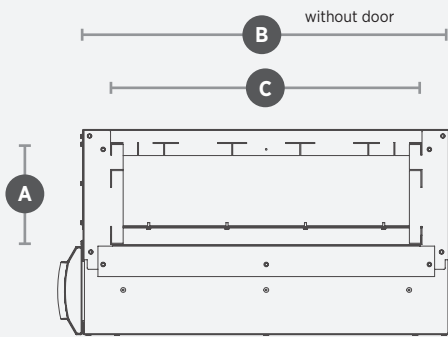
1610/1620 EASY INSTALL WHOLE-HOME AIR PURIFIER

MODEL 1610 SPECIFICATIONS AND SIZING SUMMARY

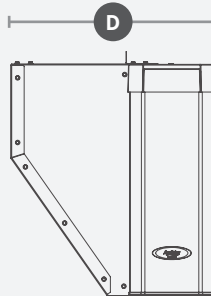
Model	Nominal Size	Shipping Weight	Replacement Filter	
			Ships With	Upgrade To
1610	16" x 25"	22 lbs.	Model 410	Model 416, 413CBN, 413
1620	20" x 25"	31 lbs.	Model 210	Model 216, 213CBN, 213



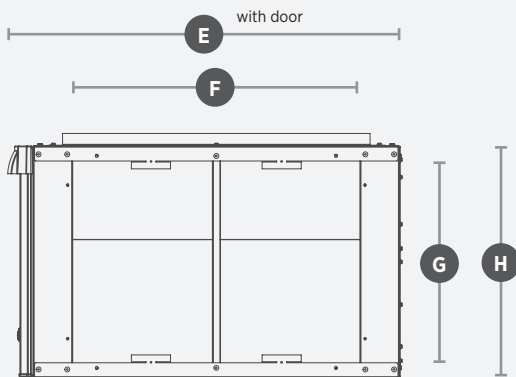
Inlet Return Duct Connection (Top View)



Front



Outlet Side Furnace Connection



The Models 1610 and 1620 are designed for easy installation in upflow HVAC systems with right or left returns. They feature built-in ductwork for applications that require a 90° duct adapter and an 8-10" adjustable return opening.

FEATURES

- + Ships with MERV 11 filter
- + Can be upgraded to MERV 16, Odor Reduction, or MERV 13 filter with simple filter change
- + Easily converts to right or left side by reversing door and back plate
- + Includes metal tabs for securing the air purifier frame to the furnace or air handler
- + Simple annual filter replacement
- + Made of corrosion-resistant heavy gauge pre-painted steel
- + Proprietary door design and Self-Seal® design virtually eliminates air bypass for optimal performance
- + UL classified filters
- + Five-year warranty on cabinet from date of installation

BENEFITS

- + Reduces installation time — no need for field-formed transitions — requires little or no cold air return repositioning
- + Protects HVAC equipment from dust buildup
- + Protects equipment performance
- + Superior performance over one-inch panel filters and four-inch cartridge filters

Dimension	Description	Model 1610	Model 1620
A	Inlet Opening Width	8 ³ / ₃₂ " to 10 ³ / ₃₂ " (206-257mm)	8 ³ / ₃₂ " to 10 ³ / ₃₂ " (206-257mm)
B	Outer Housing Depth without Door	28 ³ / ₁₆ " (716mm)	25 ⁵ / ₁₆ " (645mm)
C	Inlet Opening Depth	24 ³ / ₃₂ " (612mm)	24 ³ / ₃₂ " (612mm)
D	Unit Width	15 ¹ / ₁₆ " (399mm)	15 ¹ / ₁₆ " (399mm)
E	Outer Housing Depth with Door	30 ³ / ₃₂ " (765mm)	27 ⁷ / ₁₆ " (695mm)
F	Outlet Opening Width	22" (559mm)	19 ⁵ / ₁₆ " (490.5mm)
G	Outlet Opening Height	15 ¹ / ₂ " (394mm)	19 ³ / ₄ " (502mm)
H	Unit Height	17 ¹ / ₁₆ " (452mm)	22 ¹ / ₁₆ " (562mm)

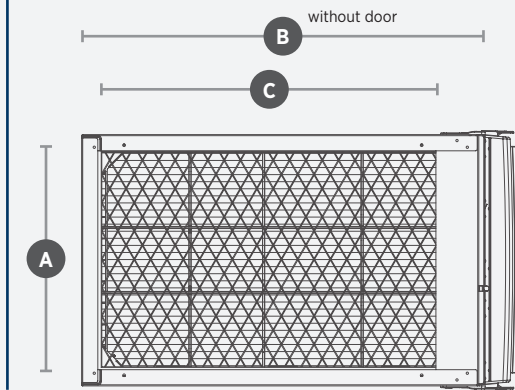
5000 ELECTRONIC AIR PURIFIER



MODEL 5000 SPECIFICATIONS AND SIZING SUMMARY

Nominal Size	Shipping Weight	Replacement Filter	Filtering Filter Area
16" x 25"	38 lbs.	Model 501	72.3 ft ²

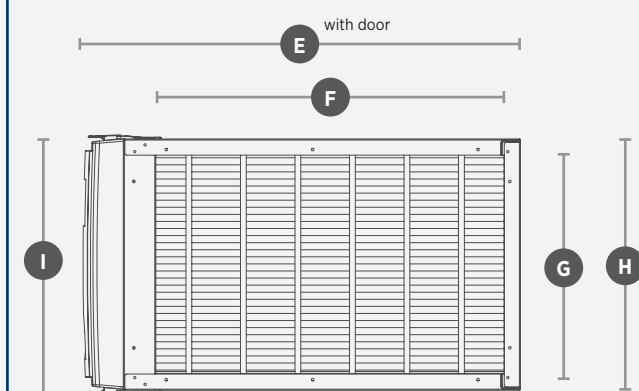
Inlet Side Return Duct Connection



Front



Outlet Side Furnace Connection



The Model 5000 greatly minimizes airborne contaminants that can aggravate allergies as well as asthma, cold and flu symptoms. Captures 89% of particles 0.3-1.0 micron in size and 98% of particles 3.0-10.0 microns in size.

Comes with Model 8476 Universal Programmable (4H/2C) Thermostat with Event-Based™ Air Purification

FEATURES

- + Silent operation — none of the “snapping” or “popping” that’s common with plate-type EAPs
- + Minimal maintenance required — simply replace filter annually and wipe off internal components
- + Made of corrosion-resistant heavy gauge galvanized steel
- + UL listed cabinet
- + UL classified filters
- + Load rated up to 400 lbs.
- + Five-year warranty on cabinet from date of installation
- + Unit is equipped with six ft. grounded cord with plug
- + Consumes less than 50 watts with high voltage active

BENEFITS

- + Captures 89% of particles 0.3-1.0 micron in size and 98% of particles 3.0-10.0 microns in size
- + Offers equipment protection from dust buildup
- + Protects equipment performance
- + Filter revenue — HVAC channel only
- + Superior performance over one-inch panel filters and four-inch cartridge filters

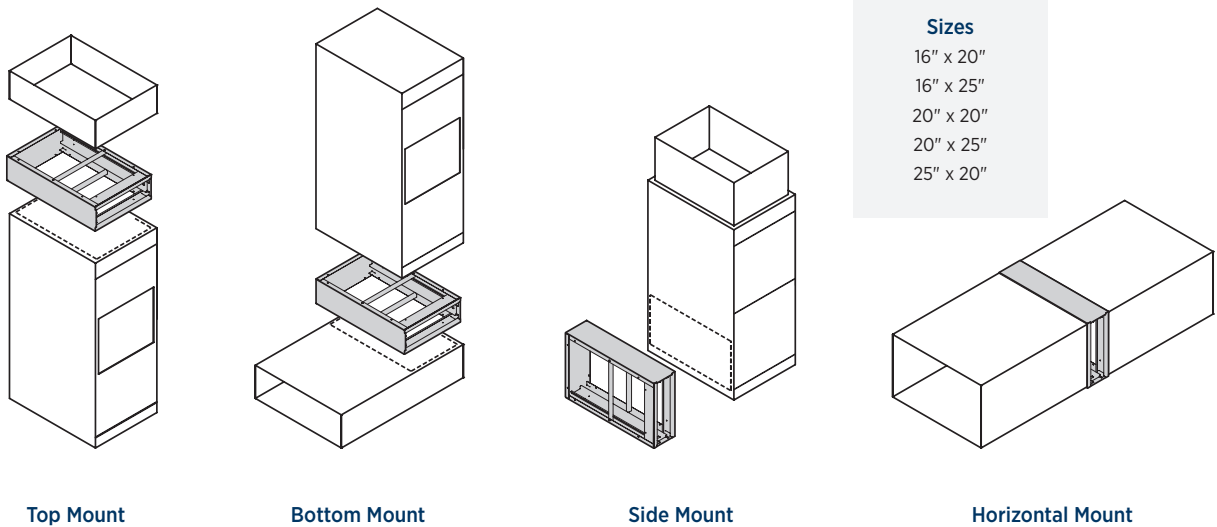
Dimension	Description	Model 5000
A	Inlet Opening Height	15½" (394mm)
B	Outer Housing Depth without Door & Clips	28½" (714mm)
C	Inlet Opening Width	23¾" (606mm)
D	Unit Width	12" (305mm)
E	Outer Housing Depth with Door & Clips	31" (787mm)
F	Outlet Opening Width	24¾" (625mm)
G	Outlet Opening Height	15½" (394mm)
H	Unit Height at Back	17¼" (451mm)
I	Unit Height at Front	18¾" (467mm)

ELECTRICAL SPECIFICATIONS

Voltage	120 VAC ± 15%
Frequency	60Hz
Current	0.3 A

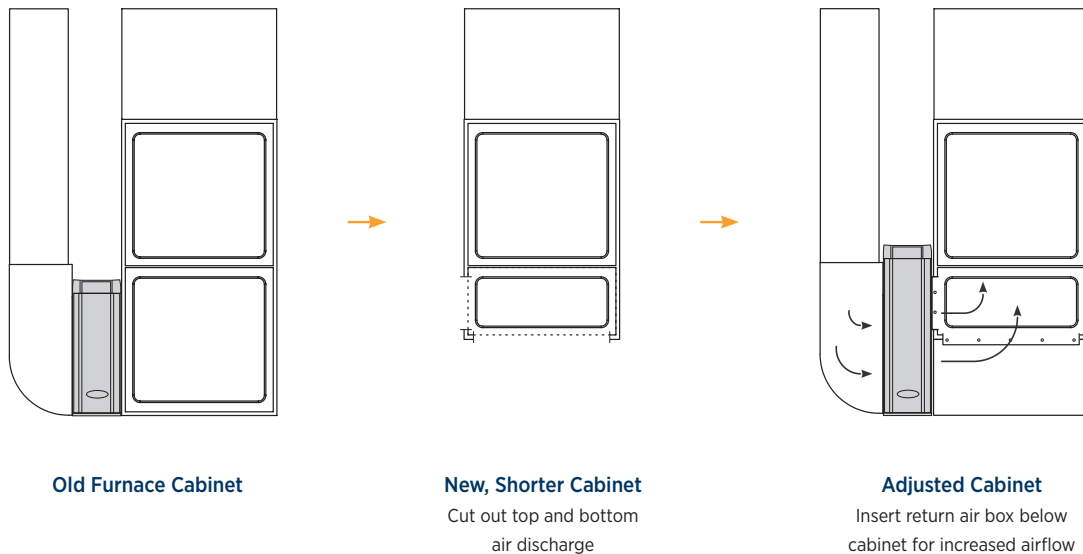
Application guidance

Aprilaire's award-winning lineup of air purifiers are configured based upon the many different air handler cabinet sizes. No matter if it's a downflow, upflow, horizontal, two-, three- or five-ton system, Aprilaire has the size to make installation easy.



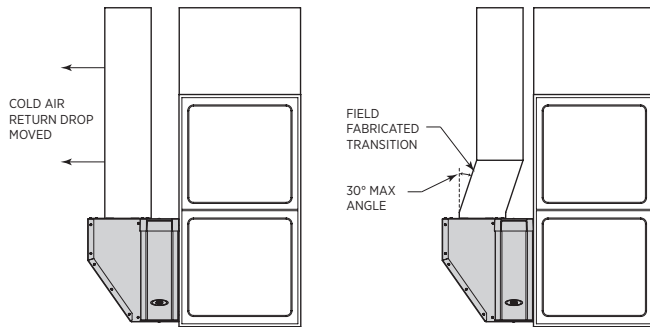
It's all about airflow

Equipment cabinet sizes are getting smaller. Use the smaller size cabinet as an opportunity to increase airflow and ensure the best system protection by installing a Model 2516 cabinet with MERV 16 filter. The lower static pressure and higher removal efficiency will optimize the HVAC system for years to come.



Application guidance

Contractors have done the math. Using the Model 1610/1620 with its integrated transition is a cost effective solution. There is no need to purchase a separate transition.



► BENEFITS

- + Minimizes distance from the air handler for tight install (water heater)
- + Perfect when return is close to air handler, when replacing 1" or 2" panel filter slots
- + Converts easily to right or left side
- + Unique air inlet tab adjusts to multiple duct sizes

High tonnage and geothermal systems

The system pressures of these applications require very low resistance. Historically, contractors stack air purifiers. The Aprilaire Models 2516 and 1510 are specifically designed for these applications.

