

Project: _____

Dealer: _____

Architect: _____

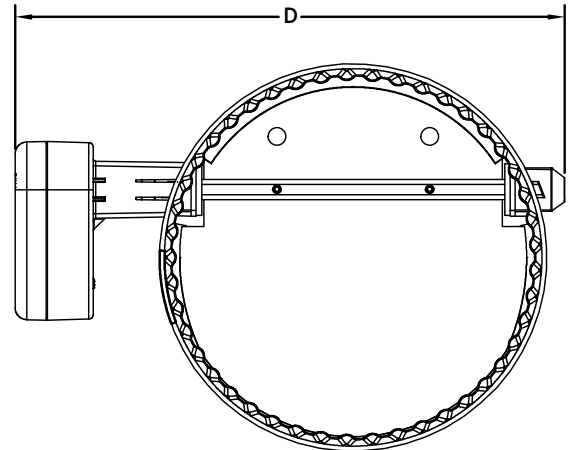
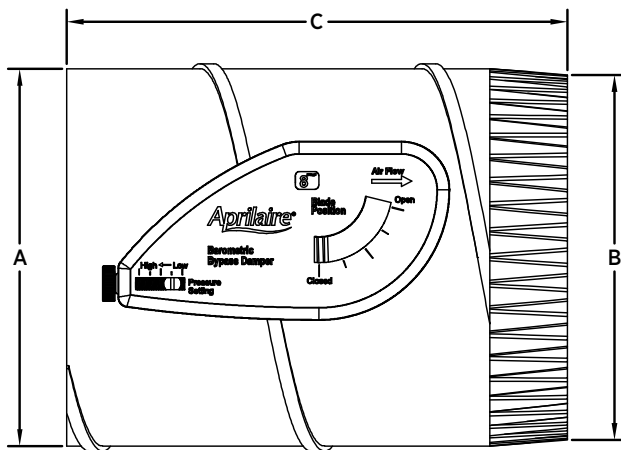
Engineer: _____

Contractor: _____

Location: _____

Suppliers: _____

Date: _____



Size	A	B	C	D	Shipping Weight
8"	8.03" (204 mm)	7.78" (198 mm)	10.75" (273 mm)	11.68" (297 mm)	5 lbs
10"	10.03" (255 mm)	9.78" (248 mm)	10.75" (273 mm)	13.55" (344 mm)	7 lbs
12"	12.03" (306 mm)	11.78" (299 mm)	12.75" (324 mm)	15.42" (392 mm)	8 lbs
14"	14.03" (356 mm)	13.78" (350 mm)	14.75" (375 mm)	17.29" (439 mm)	10 lbs
16"	16.03" (407 mm)	15.78" (401 mm)	16.75" (425 mm)	19.16" (487 mm)	13 lbs

PRODUCT OVERVIEW

Applications: Compatible with Aprilaire Zoned Comfort Control system. Dampers are designed to work in low pressure systems (less than 1.0" W.C.).

Notes: Damper blade position will be controlled by an adjustable spring-tensioned regulator with damper blade position indicator.