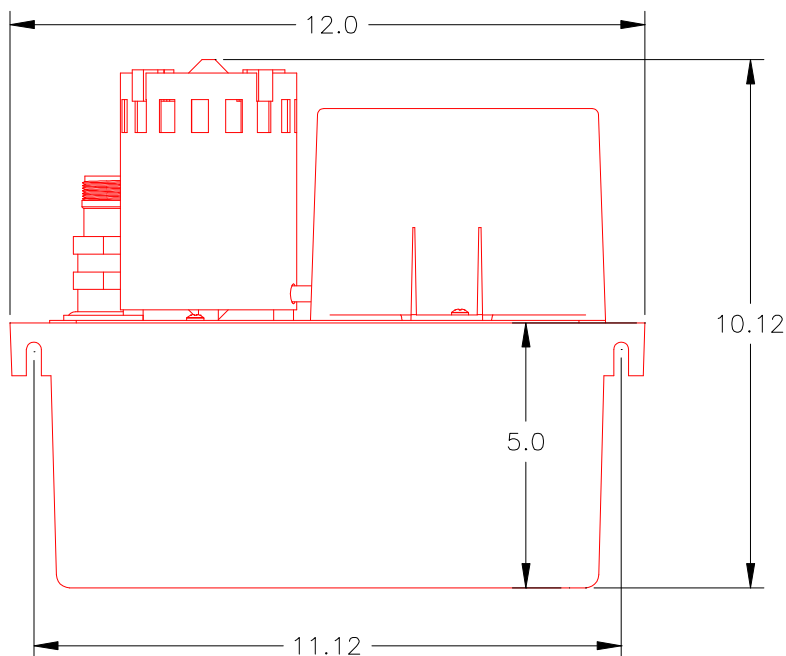
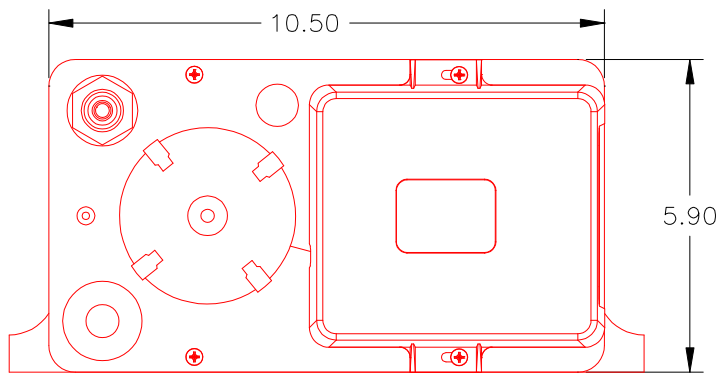


New 212° High Temp Condensate Pumps

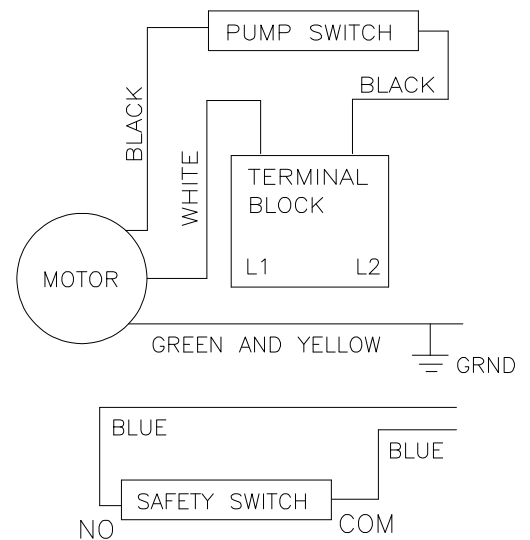
Now rated for condensate applications with water temperature up to 212° F



Model	Volts	Amps	Watts	HP	Flow in GPH				Shut off	Outlet	Safety
					@ 1'	@ 10'	@ 20'	@ 40'			
CB251ULHTS	115	1.3	106	1/20	108	84	40	—	25'	3/8" OD	Y
CB252ULHTS	230	0.9	125	1/20	108	84	40	—	25'	3/8" OD	Y



Wiring Diagram



Hard wired terminal block for easy installation