

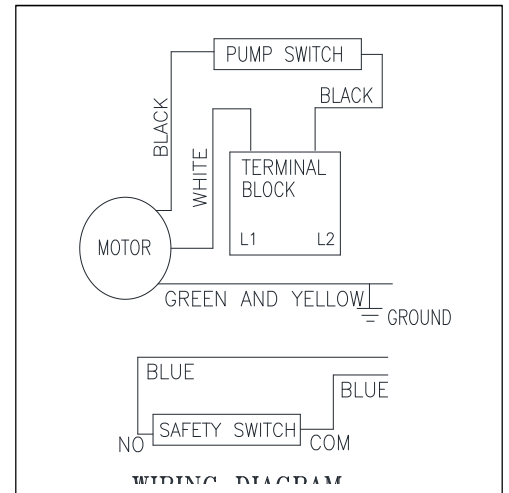
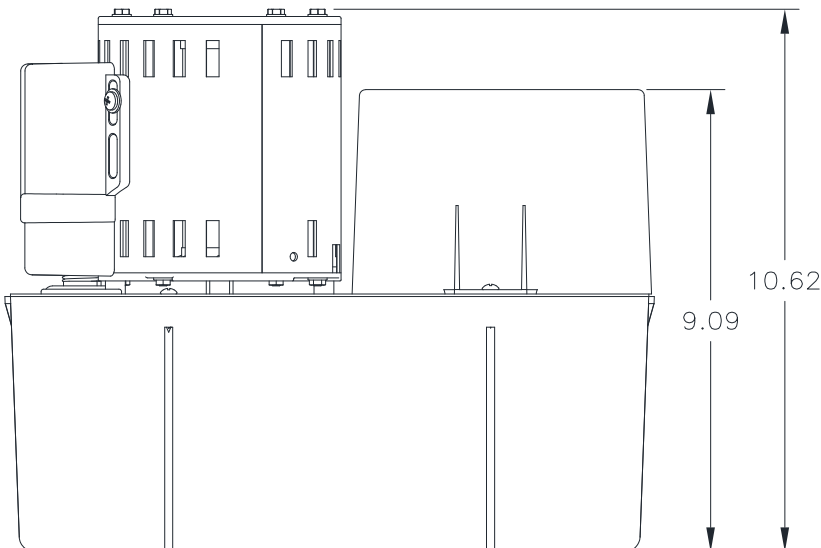
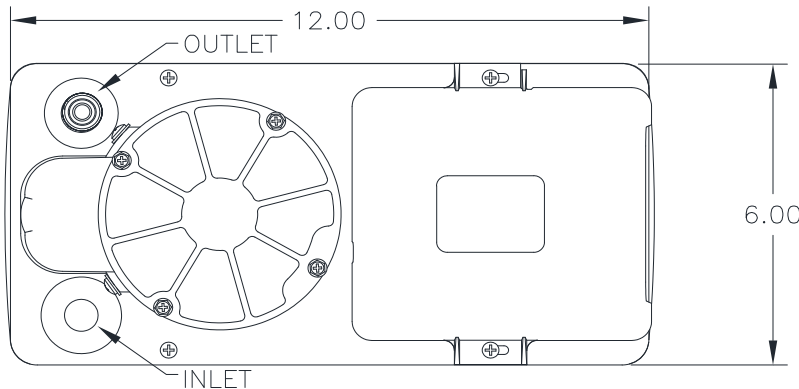


High Lift Condensate Pump

Ideal solution for high lift installations up to 65 ft lift. Rated for condensate application with water temperature up to 212° F. Reliable two float design. Hard wired terminal block for professional installation.



Model	Volts/Hz	Amps	Watts	Flow in GPH				Shut off	Outlet	Safety
				@ 1'	@ 10'	@ 20'	@ 40'			
CP651ULHTS	115/60	4.0	300	476	430	380	270	65'	½" OD	Y
CP654ULHTS	460/60	0.9	390	476	430	380	270	65'	½" OD	Y



Wiring diagram