

PROJECT:	
MODEL #:	
ITEM #:	QTY:
AVAILABLE W/H:	APPROVAL:

## Chest Freezer



BCF56-HC  
BCF80-HC

### STANDARD FEATURES

#### Cabinet construction

- Painted Galvanized Steel Exterior to minimize dents, scratches and rust
- Epoxy coated wire baskets to minimize peeling and rust
- Polyurethane insulation – CFC free, high density insulation foam which is eco friendly and energy efficient
- Bottom drain with plug for easy cleaning
- Sliding door lock with keys with additional security
- Four (4) standard casters

#### Refrigeration

- Hydrocarbon refrigerants (R-290) – increases energy efficiency by up to 25% compared to using HFC refrigerants. It is safer for the environment and does not cause ozone depletion
- Bottom mount compressor system – The bottom mounted compressor provides quick and easy maintenance
- Chest freezer has a temperature range between -10°F ~ 0°F

#### Design & Features

- Digital Temperature control for reliable temperature operation
- Treated curved glass sliding door to enhance cooling
- Anti-fog tempered glass provides a clear view of the interior

#### Lighting

- LED Interior lighting.

#### Standard

- ETL Safety and ETL Sanitation certification

#### Connection

- 115V/60hz NEMA 5-20 plug configuration

#### WARRANTY

1 Years Parts and Labor  
5 Years on Compressor in USA

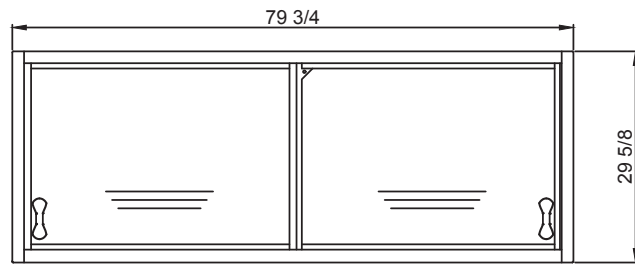
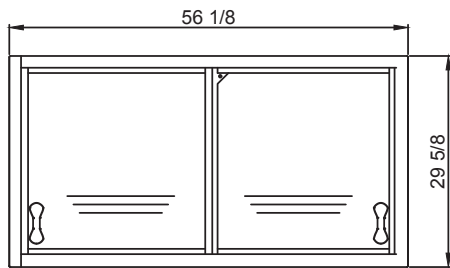
#### APPROVALS:

#### AVAILABLE AT:

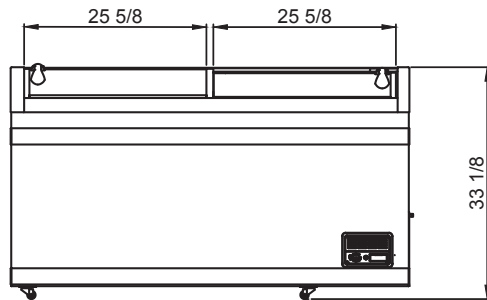
# Chest Freezer

## PRODUCT PLAN VIEW

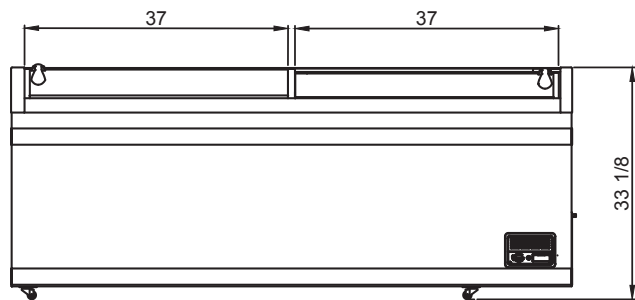
- Top View -



- Front View -

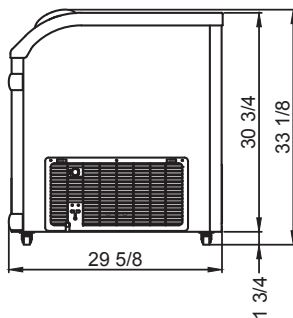


**BCF56-HC**



**BCF80-HC**

- Side View -



## PRODUCT SPECIFICATION

Freezer

Model	Product Description			Refrigerant	Temperature Range	Easy Maintenance			Cord Length (ft/m)				
	Chest Freezer			R-290	-10°F ~ 0°F	Sliding Condensing Unit			9.8ft (3m)				
	Doors	Capacity (Cu.Ft.)	Basket	Cabinet Dimensions (inches / mm)				HP	Voltage	Amps	NEMA config.	Weight (lbs / kg)	
				L	D	H	Net Weight					Ship Weight	
BCF56-HC	2	17.66	4	56 1/8" (1426mm)	29 5/8" (752mm)	33 1/8" (841mm)	1/2	115V / 60Hz	2.4	NEMA 5-20	170 (77)	223 (101)	
BCF80-HC	2	24.72	6	79 3/4" (2026mm)	29 5/8" (752mm)	33 1/8" (841mm)	3/4	115V / 60Hz	3.8	NEMA 5-20	256 (116)	311 (141)	

\*BLUE AIR has the right to change specifications without further notice.