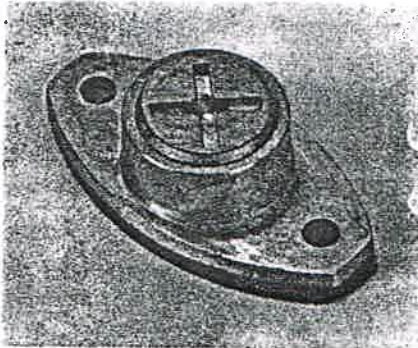


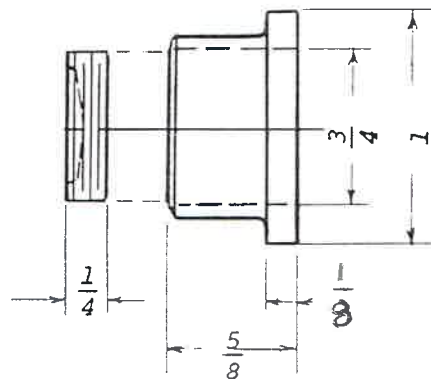
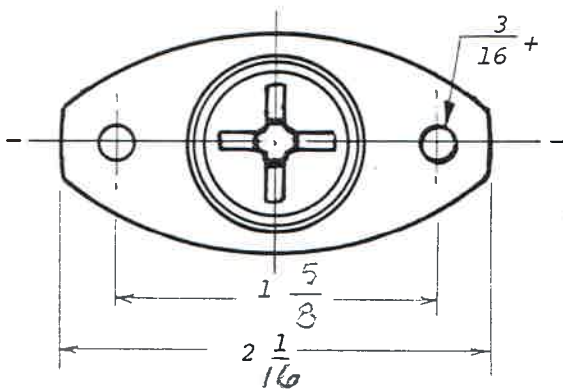
INSTRUMENT TEST PORT  
DH ITP-1



ACTUAL SIZE

THIS NEW TEST PORT HAS BEEN DESIGNED BY CAIN TO FILL THE NEED FOR AN ECONOMICAL TEST FITTING. THE ITP-1 MAY BE USED IN HIGH VELOCITY OR HIGH PRESSURE SYSTEMS. TO MAKE SURE THAT THE ITP-1 TEST PORT IS LEAKPROOF SIMPLY APPLY A SMALL AMOUNT OF PIPE SEALING COMPOUND ON THE PLUG AFTER BALANCING THE SYSTEM.

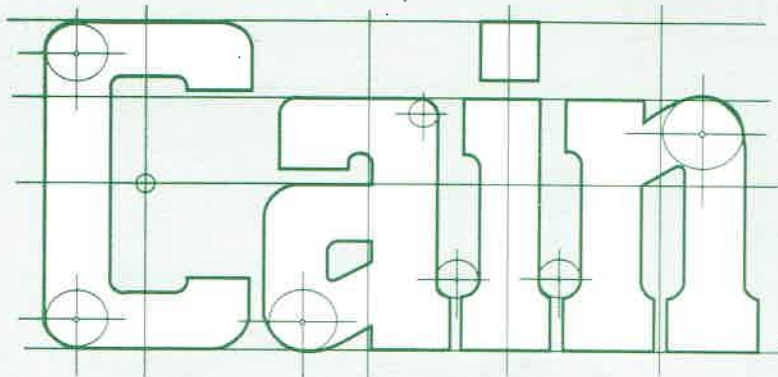
- \* ECONOMICAL
- \* NEOPRENE GASKETS REDUCES LEAKAGE.
- \* SCREW-IN CAP FOR EASY ACCESS TO AIR STREAM.
- \* MOUNT WITH NO. 10 X 1/2" DRILL POINT SCREW OR BR SS 66 BLIND RIVET.
- \* GOOD LOOKING ZAMAC ALLOY FOR STRENGTH AND DURABILITY.
- \* 3/4" DIAMETER OPENING. (ADEQUATE FOR PITOT TUBE OR VELOMETER)
- \* OPENS WITH A SCREWDRIVER OR LARGE COIN.



CAIN INSTRUMENT TEST PORT  
DH ITP-1

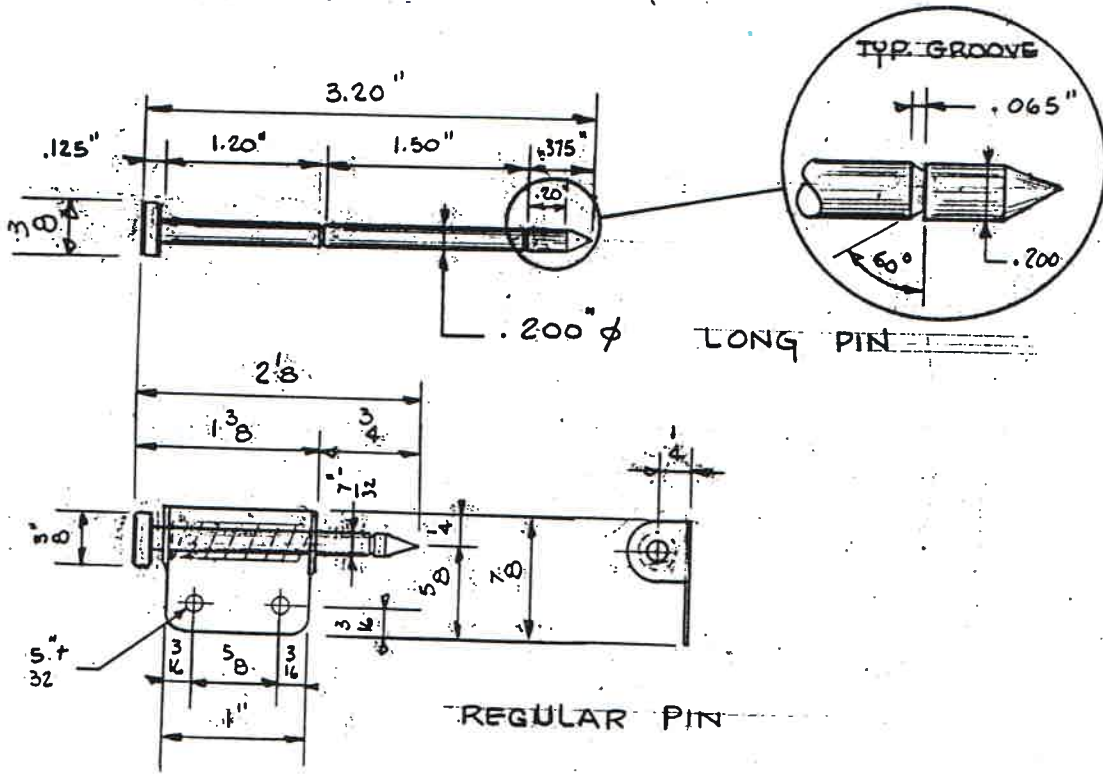
MADE IN USA





DH SB 14  
DH SB 14L

1/4" Spring Bearings



1/4" SPRING BEARING  
DH SB 14  
DH SB 14 L (LONG)





#### MODEL Y

Length 3.063

Width 1.125

Distance between

centers - 2.250

Temperatures:

UL Listed in 165° + 212° F

Special temperatures available

For loads 1.25 to 40 pounds inclusive.



#### MODEL C

Length 4.00

Width 1.250

Distance between

centers - 3.125

Temperatures:

UL Listed in 165°, 212°, 370° F

Special temperatures available

For loads 2 to 30 pounds inclusive.



#### MODEL D

Length 2.750

Width .969

Distance between

centers - 1.875

Temperatures:

UL Listed in 165°, 212°, 286° F

Special temperatures available

For loads 1 to 40 pounds inclusive.



#### MODEL A

Length 2.625

Width .875

Distance between

centers - 1.750

Temperatures: UL Listed in

135°, 165°, 212°, 225°, 286°, 370°, 386° F

Special temperatures available

For loads 1 to 30 pounds inclusive.



#### MODEL B

Length 1.438

Width .563

Distance between centers - .938

Temperatures: UL Listed in

135°, 165°, 212°, 286°, 375° F

Special temperatures available

For loads 1 to 10 pounds inclusive.



#### HOOKS

Length 1.125

Large Diameter .200, Small Diameter .100

Not UL Listed

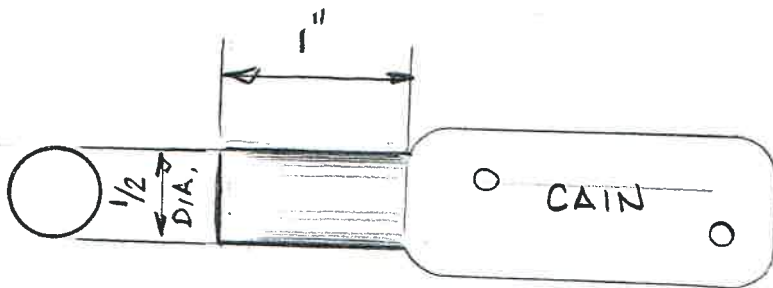
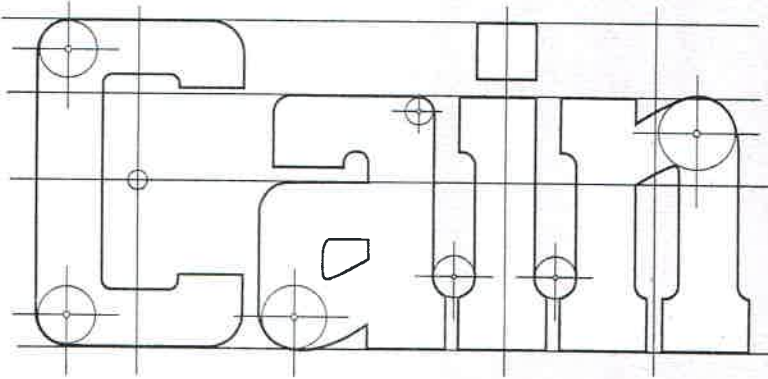
Special sizes and temperatures available upon request

In 1947, Donald Ruegsegger, president of Elsie Manufacturing Company, conceived, developed and moved to patent his original concept of a fusible link for fire protection. Since then, other models and patents have followed and today (to prove Elsie's continuous attention to product improvement) three other patents are pending. Elsie's product line today provides standard, in-stock fusible link models for a wide variety of applications.

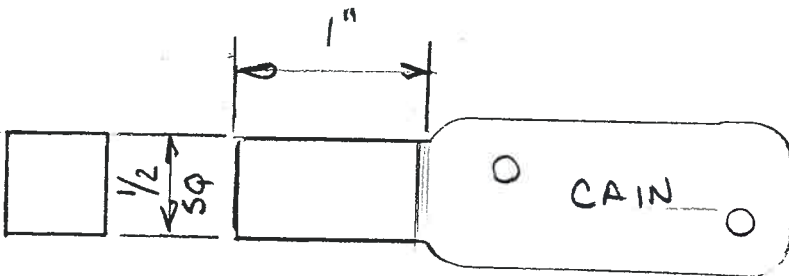
Obviously, reliability in fusible link performance is an absolute necessity . . . and since 1947, we are proud that no Elsie fusible link has been reported to have failed in field use, and we intend to maintain this excellent quality record. Underwriters Laboratories' standards, as set forth in U.L. Bulletin 33, for fusible links for fire-protection service are adhered to in all manufacturing processes.



Covered by patents 4102482, 4055829, 2666488 and three pending patents

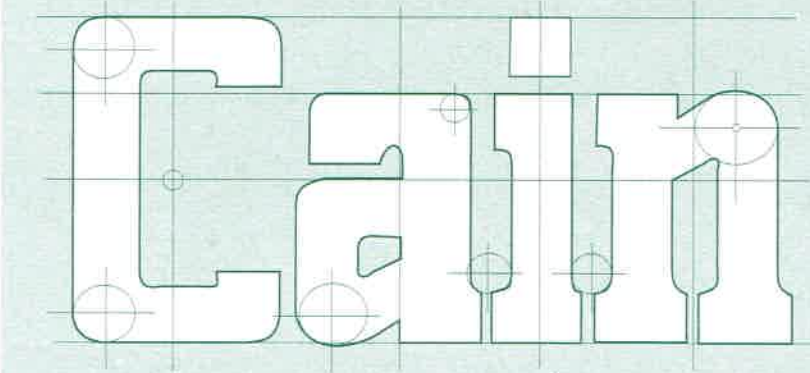


DH RB 12

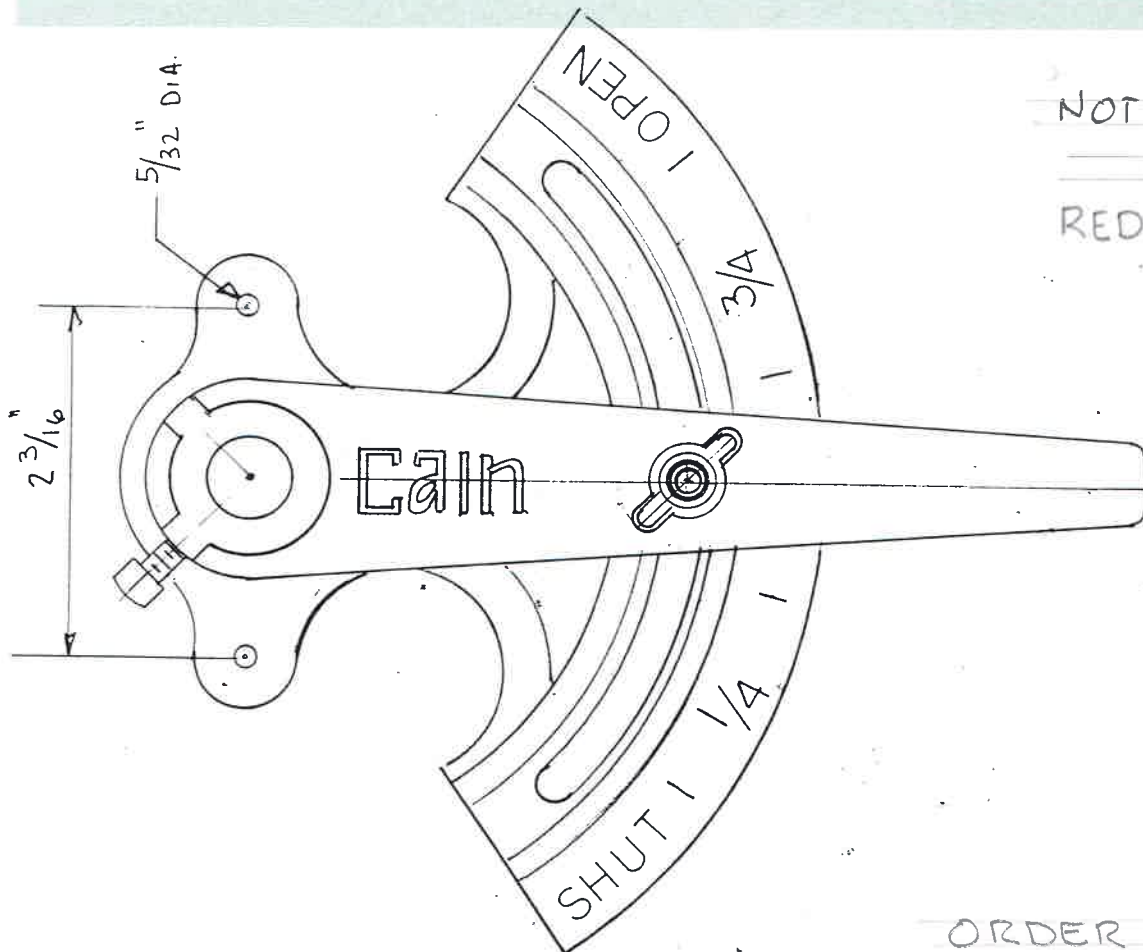


DH B 12

**Cain**  
MANUFACTURING COMPANY, INC.  
QUALITY HVAC PRODUCTS SINCE 1935

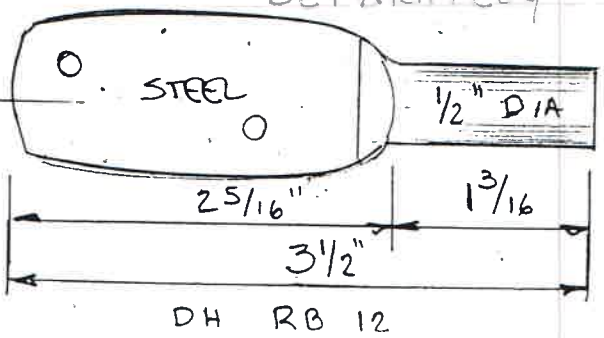
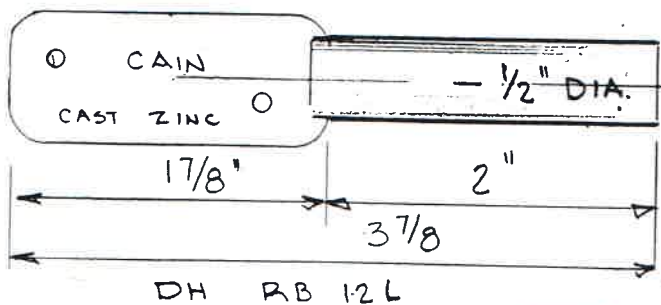


Cain  
 DH RH 12  
 QUADRANT  
 CLAMP - ON

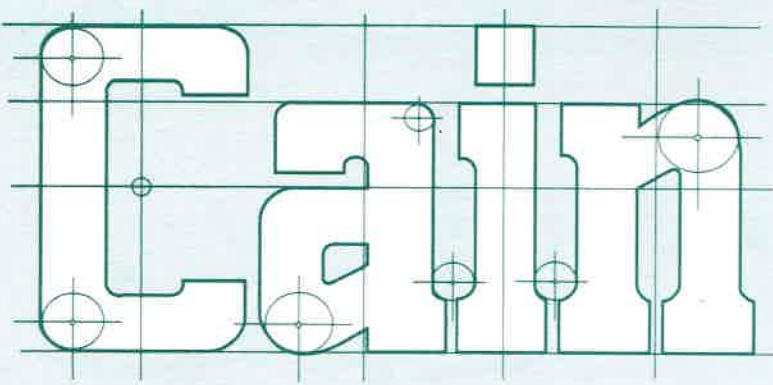


NOT FULL  
 SIZE  
 REDUCED TO 86%

ORDER BEARING  
 SEPARATELY



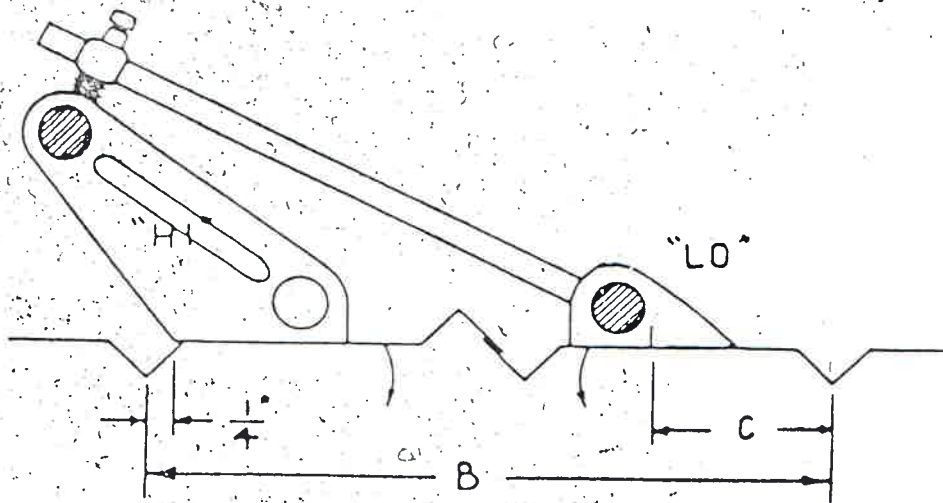
**Cain**  
 MANUFACTURING COMPANY, INC.  
 QUALITY HVAC PRODUCTS SINCE 1935



OPPOSED ACTION  
BLADE KIT

MODEL DH CKO 3

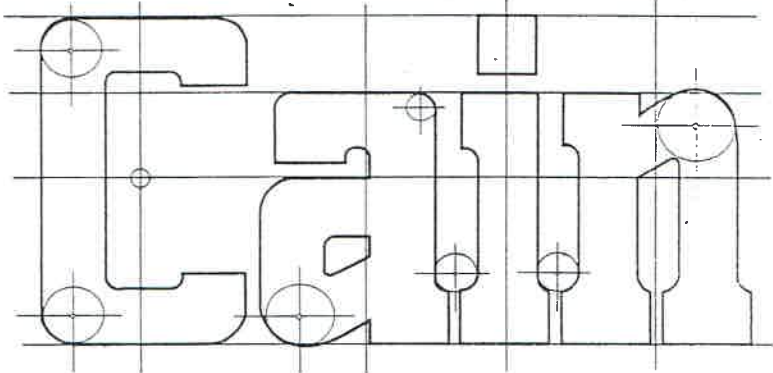
MODEL DH CKO 4



DIMENSION "B"	DISTANCE "C"
5"	1"
6"	1-3/16"
7"	1-1/4"
8"	1-5/16"
9"	1-3/8"
*10"	1-3/8"
*11"	1-7/16"
*12"	1-1/2"

\*Use linkage rod extension.

**Cain**  
MANUFACTURING COMPANY, INC.  
QUALITY HVAC PRODUCTS SINCE 1935



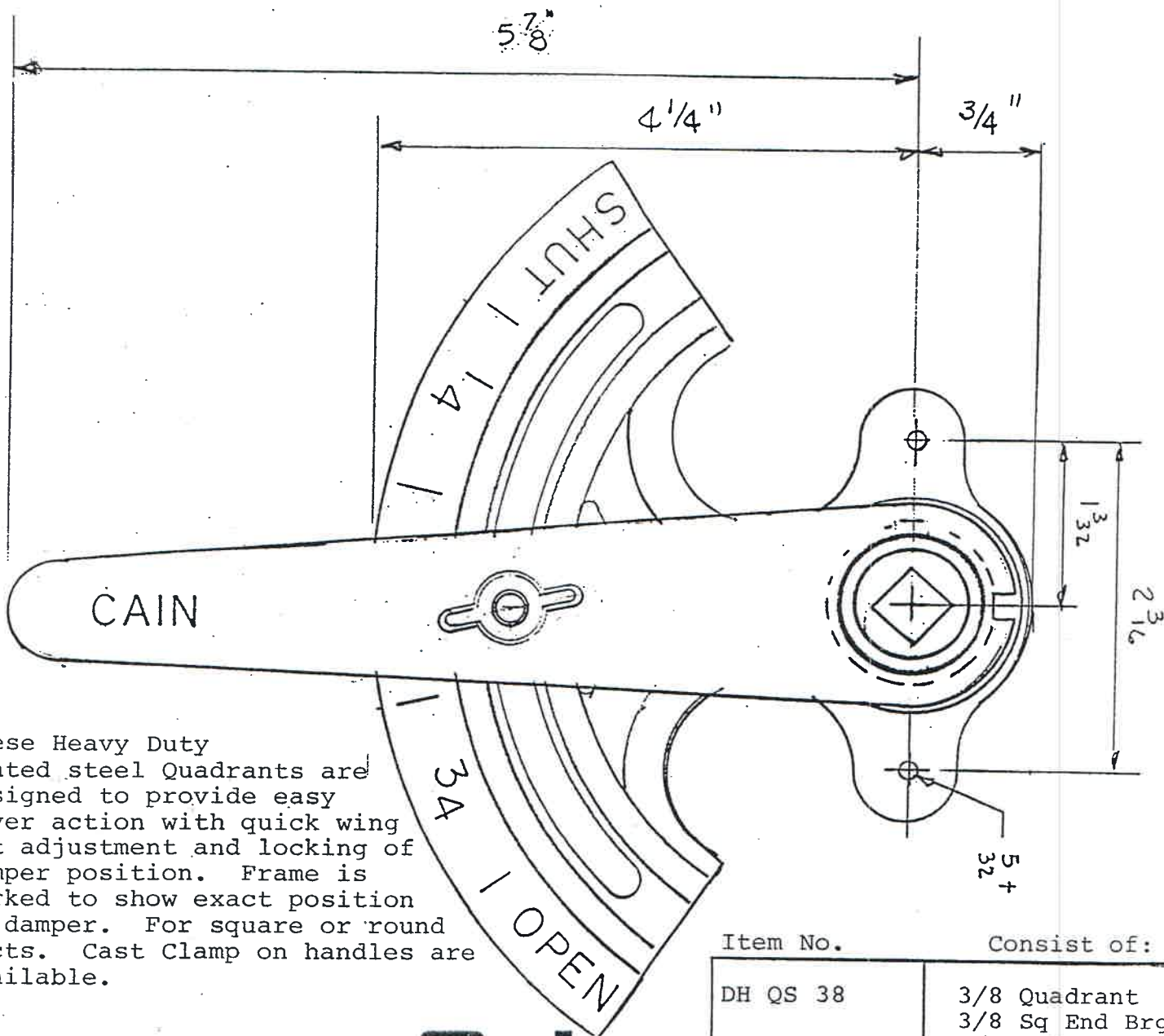
3/8" & 1/2"

Quadrant Sets

3/8" Damper for up to 20"

1/2" Damper for up to 30"

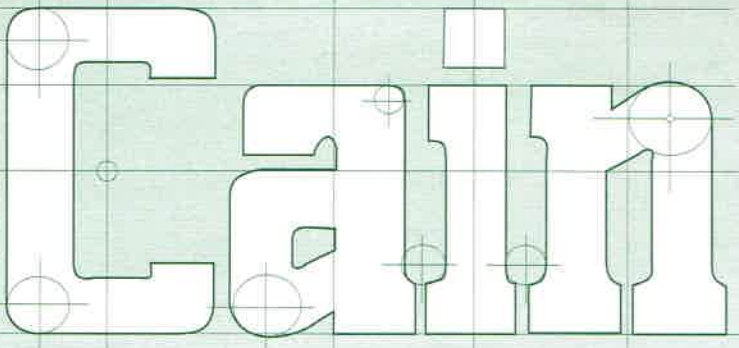
MADE IN THE USA



These Heavy Duty plated steel Quadrants are designed to provide easy lever action with quick wing nut adjustment and locking of damper position. Frame is marked to show exact position of damper. For square or round ducts. Cast Clamp on handles are available.

**Cain**  
 MANUFACTURING COMPANY, INC.  
 QUALITY HVAC PRODUCTS SINCE 1935

Item No.	Consist of:
DH QS 38	3/8" Quadrant 3/8" Sq End Brg 3/8" Spr. Brg.
DH QS 12	1/2" Quadrant 1/2" End Bearin 1/2" Rd. End Br

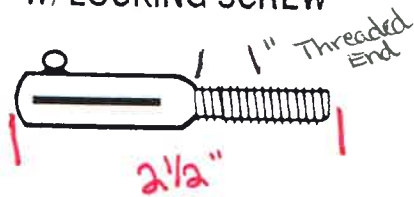


**EXTENSIONS SETS  
HAMMERS-ON  
HARDWARE**

**ELEVATED  
1 1/2"**

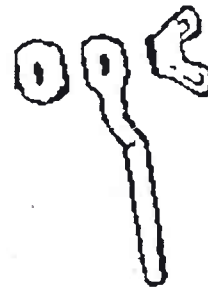
**EXTENSIONS FOR HAMMER ON HARDWARE**

SHAFT EXTENSION  
W/ LOCKING SCREW

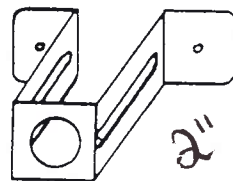


STAND OFF

WASHER HANDLE WING NUT



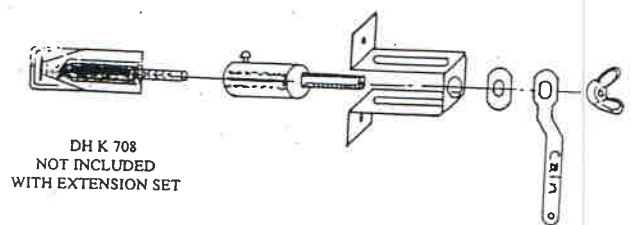
K 80  
Sold  
Separate



**MODELS**

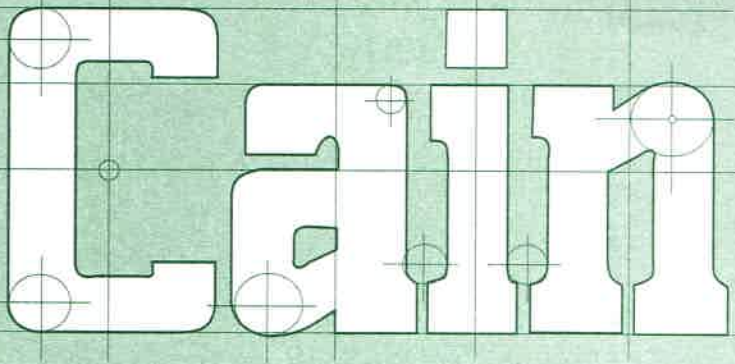
DH K 708 ES  
DH K 708 ESB

EXTENSION SETS	100/CTN
EXTENSION SETS	1000/BULK



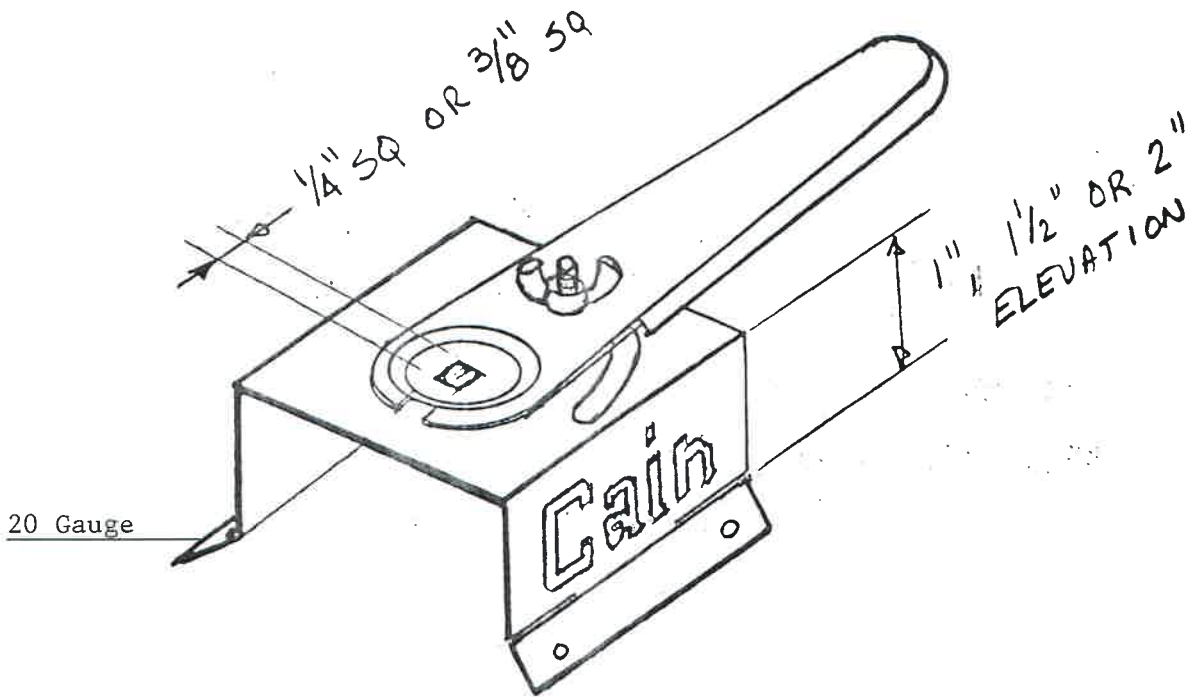
DH K 708  
NOT INCLUDED  
WITH EXTENSION SET

**Cain**  
MANUFACTURING COMPANY, INC.  
QUALITY HVAC PRODUCTS SINCE 1935



**1/4" OR 3/8"  
ELEVATED DAMPER  
HARDWARE**

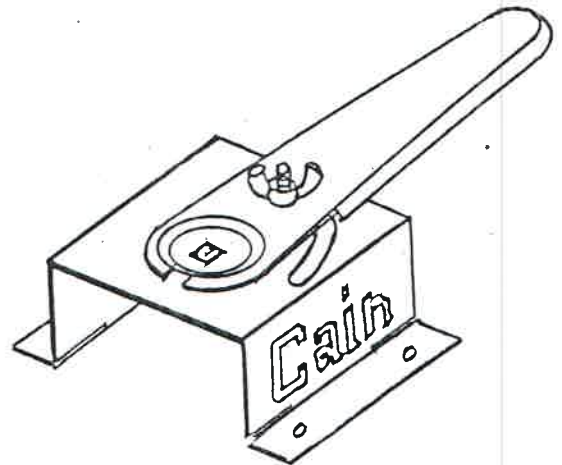
**ELEVATED  
1", 1 1/2" & 2"**



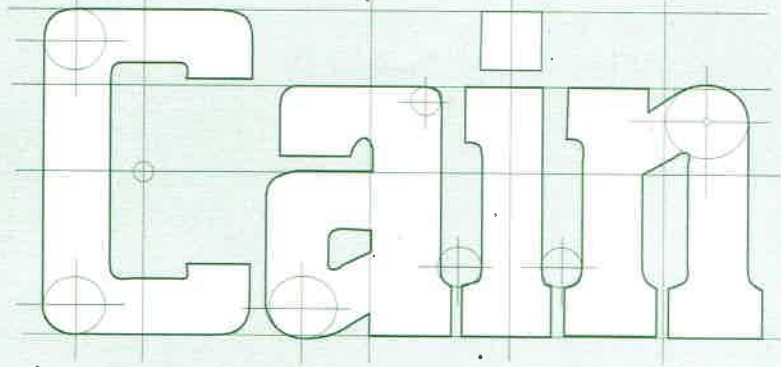
**MODELS**

- DH ER 1410 1/4" REGULATOR ELEVATED 1"
- DH ER 1415 1/4" REGULATOR ELEVATED 1 1/2"
- DH ER 1420 1/4" REGULATOR ELEVATED 2"
- DH ER 3810 3/8" REGULATOR ELEVATED 1"
- DH ER 3815 3/8" REGULATOR ELEVATED 1 1/2"
- DH ER 3820 3/8" REGULATOR ELEVATED 2"

\*\* Now available in 1/2" Round or Square  
05/05



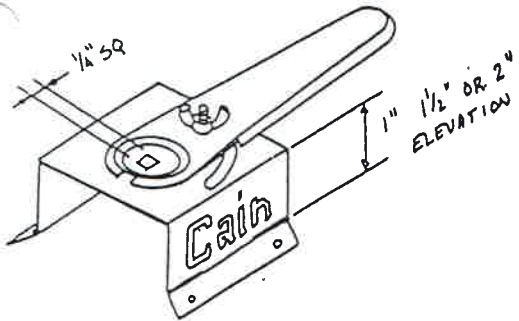
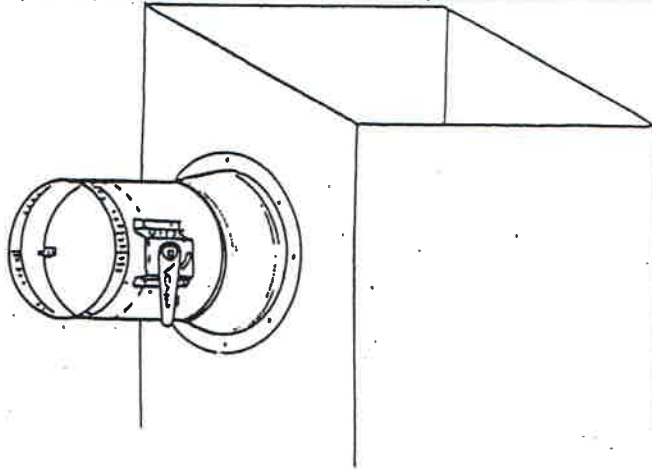
**Cain**  
MANUFACTURING COMPANY, INC.  
QUALITY HVAC PRODUCTS SINCE 1935



## ELEVATED SPADE ASSEMBLY

DH ESA 10	1"
DH ESA 15	1 1/2"
DH ESA 20	2"

TAKE OFF



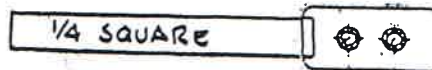
ELEVATED REGULATOR



DH CBS 14

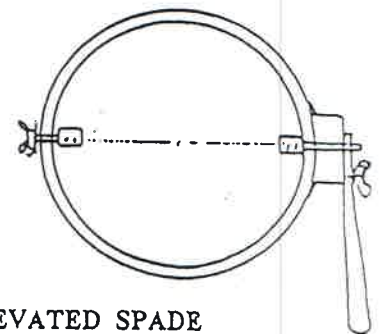


DH CBS WN



DH CBS 14L

FOR USE ON 4, 5, 6, 7, OR 8" DIA. DAMPERS  
DO NOT USE ON LARGER DAMPERS

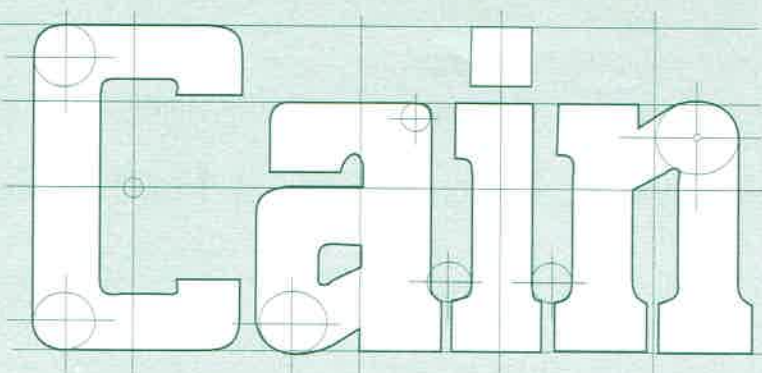


ELEVATED SPADE  
ASSEMBLY

# Cain

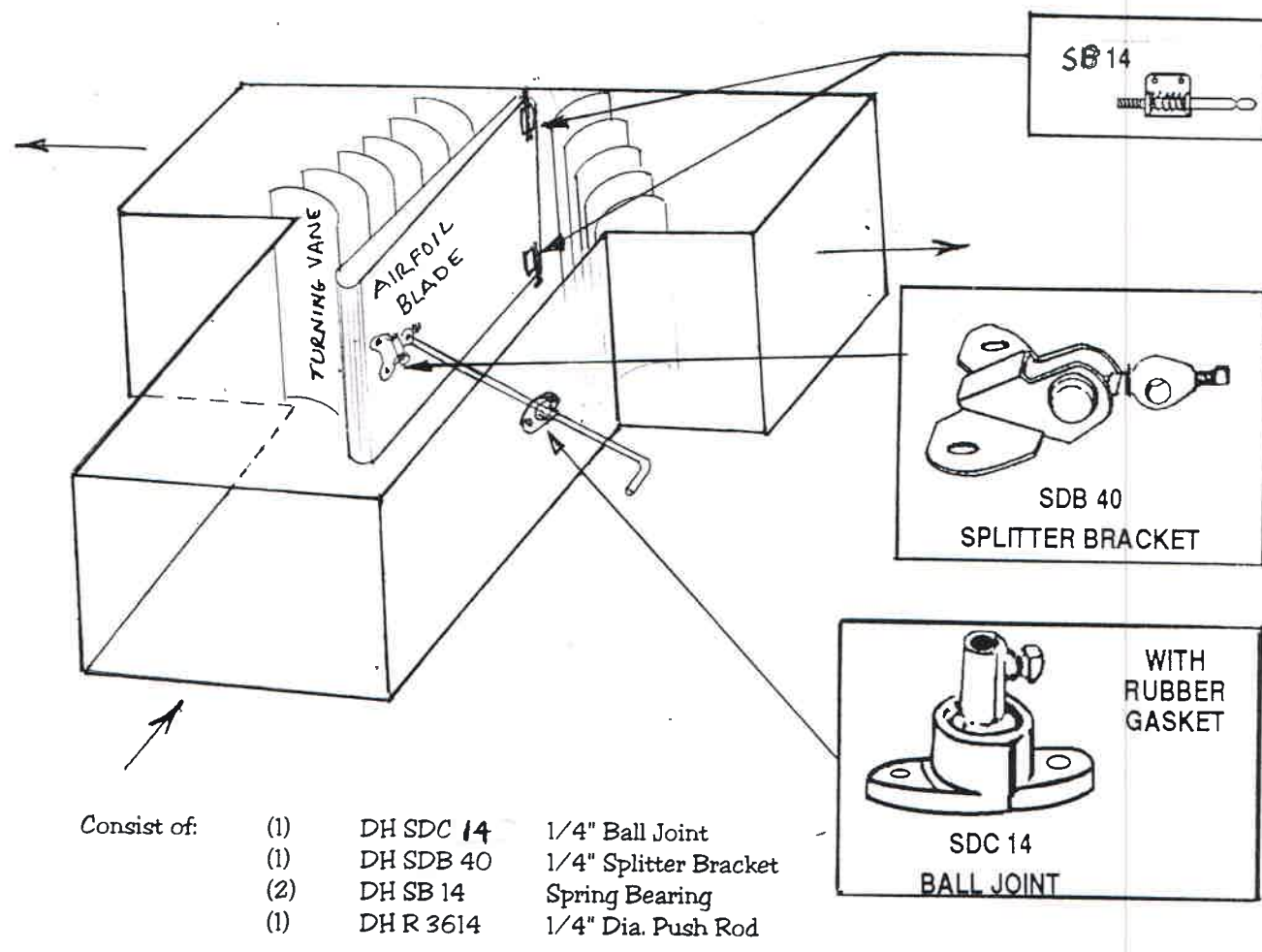
MANUFACTURING COMPANY, INC.

QUALITY HVAC PRODUCTS SINCE 1935



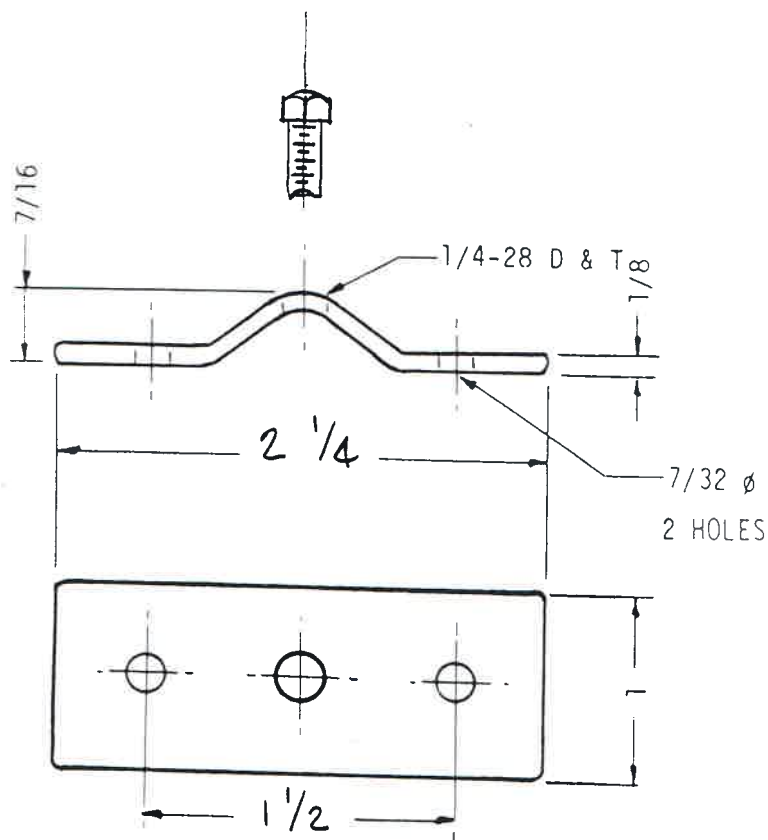
# CAIN SPLITTER DAMPER HARDWARE

## SPLITTER DAMPER HARDWARE Typical Application - Using Ball Joint and Damper Bracket



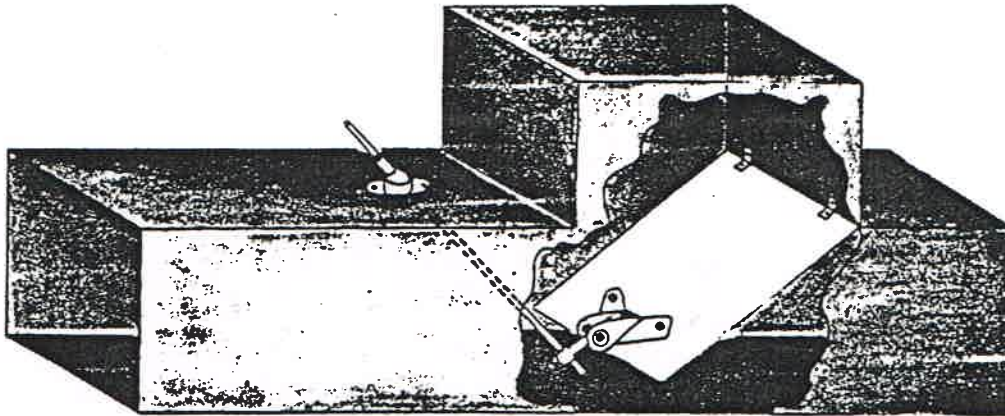


DH CKP 13  
BEARING & SET  
SCREW

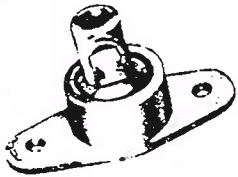


**Cain**  
MANUFACTURING COMPANY, INC.  
QUALITY HVAC PRODUCTS SINCE 1935

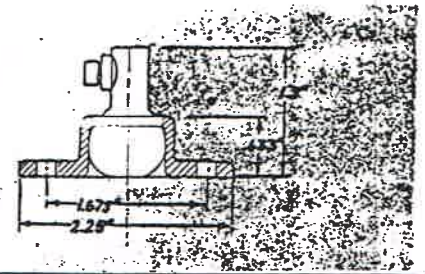
## SPLITTER DAMPERS USING CAIN HARDWARE



### BALL JOINT DAMPER CASTING Cast Alloy

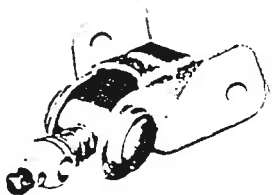


Ball Joint Fitting (select size) is attached to Duct. Damper Rod passes through Ball Joint which swivels to adjust to proper angle to accommodate Control Rod. Set Screw locks Control Rod in desired position. Minimum air leakage at Fitting.

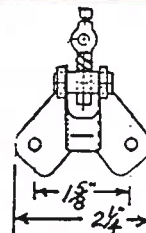


CODE NO.	SHAFT SIZE
SDC 14	1/4"
SDC 516	5/16"

### SPLITTER DAMPER BRACKET Steel Bracket, Brass Pivot



Bracket attaches to Damper Blade as shown in drawing. Control Rod is attached to Swivel and locked permanently by set screw. 4-way adjustability of Bracket insures smooth, non-binding operation of Damper at all times.



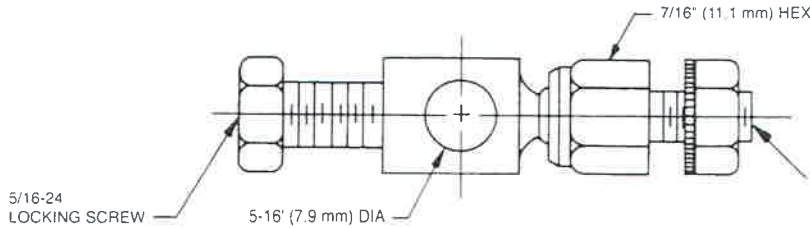
CODE NO.	SHAFT SIZE
SDB 40	1/4"
SDB 50	5/16"



# DESCRIPTION

Material for ball swivel, crank arm and push rods is steel plated with a zinc and clear chromate finish.

## CONTROL SWIVELS



0804  
THREAD SIZE  
1/4-20x7/16

0807  
THREAD SIZE  
1/4-28x7/16

0808  
THREAD SIZE  
1/4-28x9/16

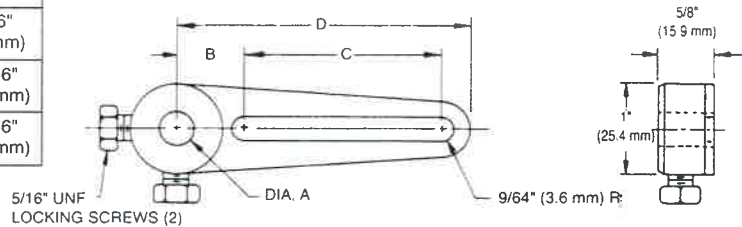
0809  
THREAD SIZE  
1/4-20x9/16

0805  
THREAD SIZE  
5/16-24x41/64

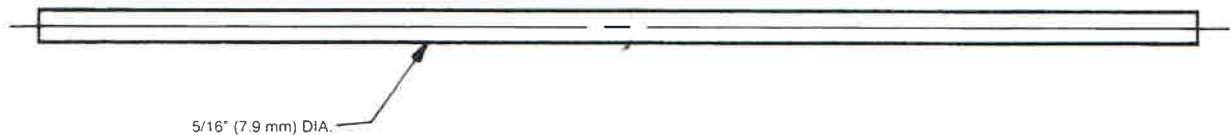
0806  
THREAD SIZE  
5/16-24x33/64

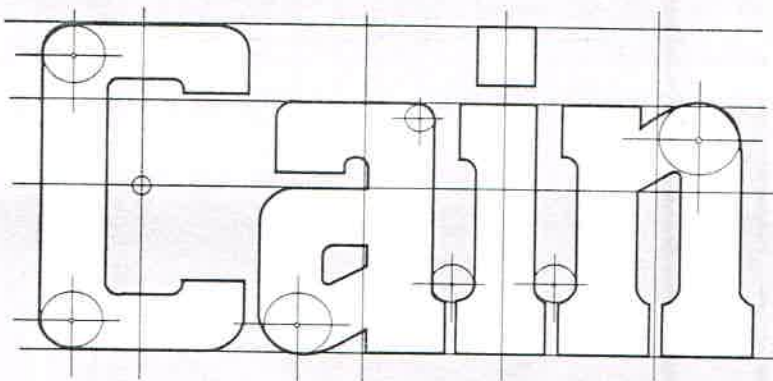
## CRANK ARMS

PART #	A	B	C	D
1403S	3/8" (9.5 mm)	3/4" (19.1 mm)	2-1/8" (54.0 mm)	3-3/16" (81.0 mm)
1405S	1/2" (12.7 mm)	3/4" (19.1 mm)	2-1/8" (54.0 mm)	3-3/16" (81.0 mm)
1405L	1/2" (12.7 mm)	3/4" (19.1 mm)	3-7/8" (98.4 mm)	4-15/16" (125.4 mm)
1403L	3/8" (9.5 mm)	3/4" (19.1 mm)	3-7/8" (98.4 mm)	4-15/16" (125.4 mm)



## PUSH RODS

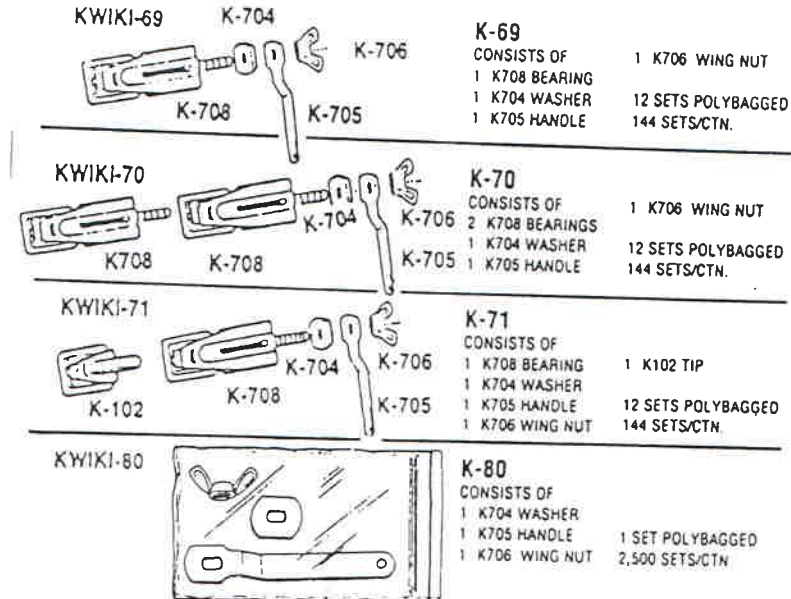




## DAMPER HARDWARE

### KWIKI REGULATOR SETS

#### HAMMER-ON TYPE



#### PACKAGED BY PARTS PRICE EACH

ITEM #	DESCRIPTION	CTN/QT.	WT./LBS.	1-5M	5M+
DH K 69	KWIKI REGULATOR SET	144	13		
DH K 70	KWIKI REGULATOR SET	144	23		
DH K 71	KWIKI REGULATOR SET	144	17		
DH K 80	KWIKI ACCESSORY SET	2,500	68		
DH K 90	THREADED TIP SET	144	4		

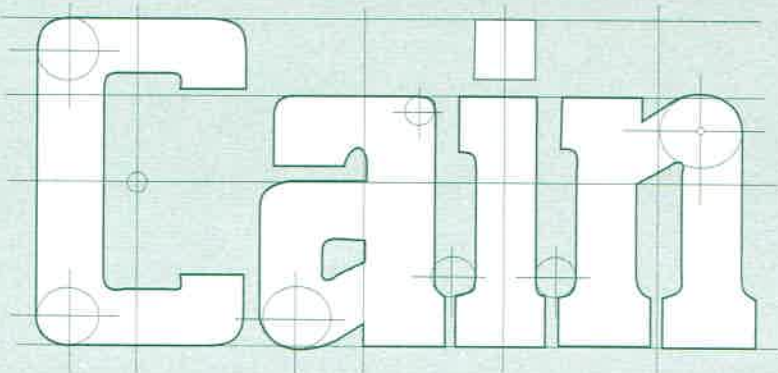
#### CAIN KWIKI ACCESSORIES

#### PACKAGED BY PARTS PRICE EACH

ITEM #	DESCRIPTION	CTN/QT.	WT./LBS.	1-10M	10M+
DH K 102	DAMPER TIP K 102	1000	26		
DH K 704	WASHER K 704	5000	22		
DH K 705	HANDLE K 705	5000	75		
DH K 706	WING NUT K 706	5000	37		
DH K 708	5/16" BEARING K 708	500	32		
DH K 900	THREADED TIP K 900	1000	26		

\*\* DESIGNED FOR 24 GAUGE METAL

**Cain**  
 MANUFACTURING COMPANY, INC.  
 QUALITY HVAC PRODUCTS SINCE 1935



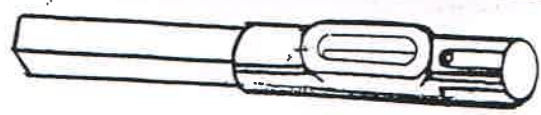
**DAMPER SLIDE PINS  
 ADAPTER SLIDE PINS  
 FOR  
 MULTI-BLADE  
 DAMPERS**

**DAMPER SLIDE PIN & ADAPTER SLIDE PINS**



DSP 1

DAMPER SLIDE PIN



ASP 2



DSP 3

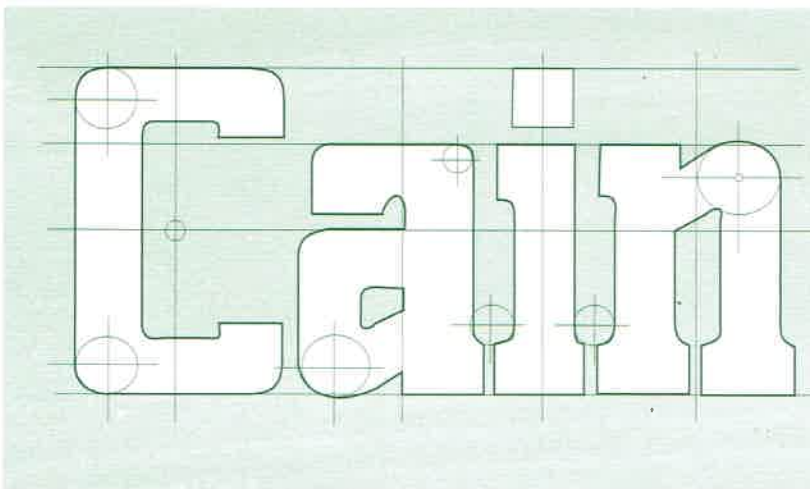
DSP 4

PRICED EACH

**MODELS**

- DH DSP 1 1/2" DIA. X 2 1/2" LG SLIDE PINS
- DH ASP 2 1/2" DIA. X 3/8" SQ. X 4 1/2" LONG
- DH DSP 3 1/4" X 20 CARRIAGE BOLT (100 BAG)
- DH DSP 4 1/4" X 20 HEX HEAD LOCK NUT (100 BAG)

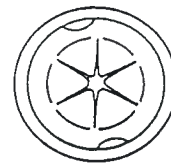
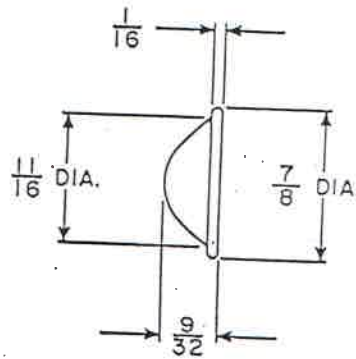




DOME WASHERS  
 ALUM CAPS with  
 STAINLESS WASHERS

LF SP DOME WSHR

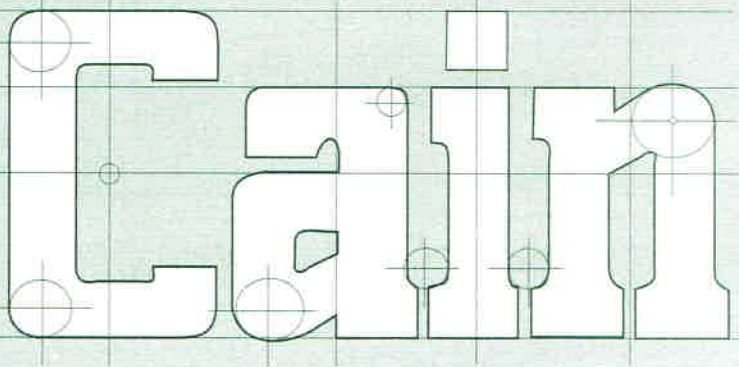
## CAPPED WASHERS



**MATERIAL** ----- Domed caps are available from stock in plain aluminum. All caps have a stainless steel 12 ga speed washer insert securely attached to the dome. Other sizes and finishes are available as special orders. Please call for quotation on special items.

**APPLICATIONS** Domed caps are designed to be use as self-locking washer on Cain Stick Pin Insulation Hangers. For best results, pins should be 1/4" longer than the insulation thickness. They should be used where appearance and personal safety are major factors and sharp points or edges are not permitted.

**Cain**  
 MANUFACTURING COMPANY, INC.  
 QUALITY HVAC PRODUCTS SINCE 1935



## DAMPER REGULATORS

- \* Low cost damper regular
- \* Ideal for spin-ins, regular or splitters, round pipe or rectangular duct.
- \* Hammer-on bearings drive thru up to 24 gauge galv. dampers. Handle setting shows position of damper.

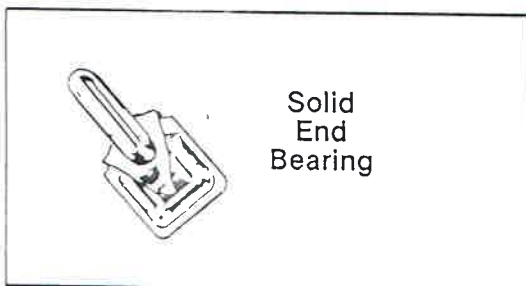
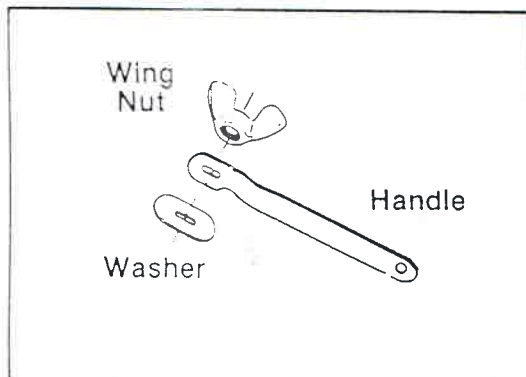
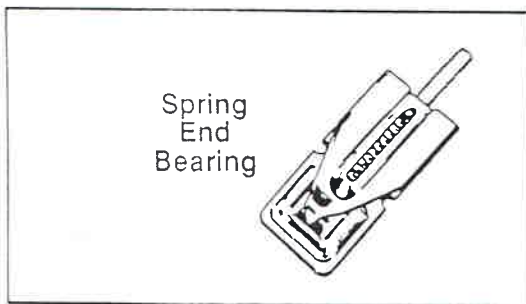
## HAMMER-ON DAMPER REGULATORS

No Rivets \* No Anvil \* No Welding

Slip on the damper and hammer-on - that's all.

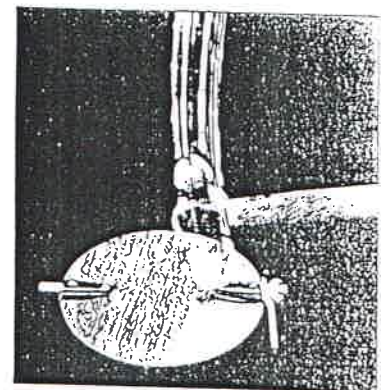
Rattle-free regulated damper is now ready to install

*Note: Not recommended for use in systems over 400 degrees F. For high temperature systems above 400 degrees F, consult Cain's catalog covering Engineered approved Damper Regulators.*

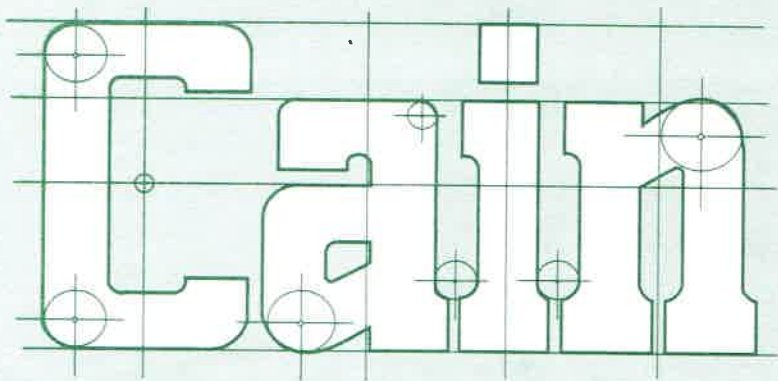


## SPECIFICATIONS

- \* Cain's Bearings and tips will penetrate and secure to round or rectangular damper blades up to 24 gauge.
- + Position of handle indicates damper setting.
- \* Ideal for Regulator or Splitters
- \* Cain Hammer-on Bearings are formed of heavy gauge rust resistant galvanized steel.
- \* Cain's fully retractable, spring bearing of die-cast zinc alloy is threaded to accept 5/16"- 18 wing nuts.



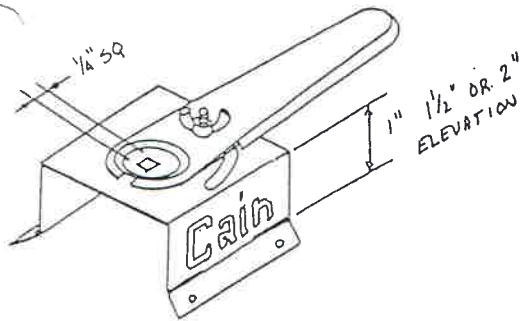
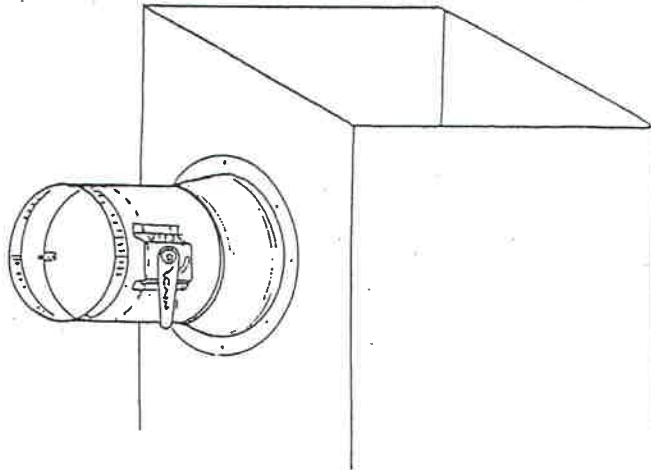
**Cain**  
 MANUFACTURING COMPANY, INC.  
 QUALITY HVAC PRODUCTS SINCE 1935



ELEVATED  
SPADE ASSEMBLY

DH ESA 10	1"
DH ESA 15	1 1/2"
DH ESA 20	2"

TAKE OFF



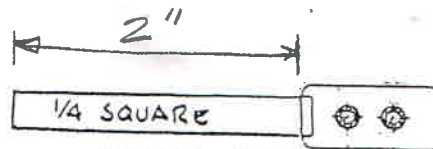
ELEVATED REGULATOR



DH CBS 14

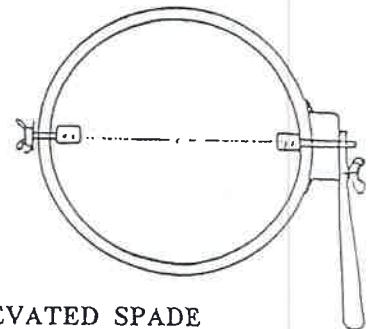


DH CBS WN



DH CBS 14L

FOR USE ON 4, 5, 6, 7, OR 8" DIA. DAMPERS  
DO NOT USE ON LARGER DAMPERS

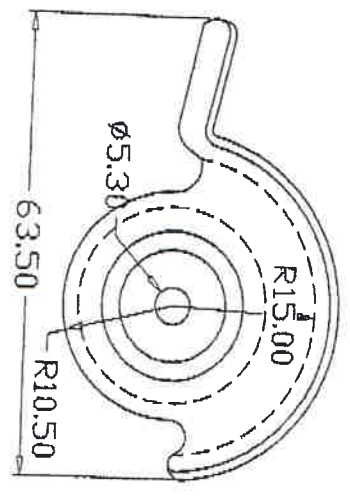
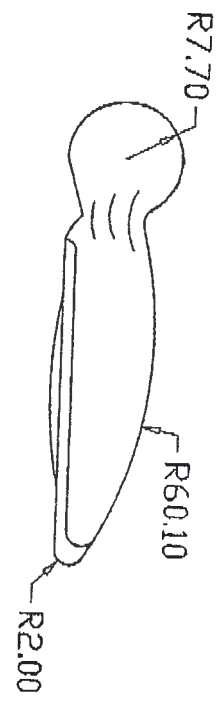


ELEVATED SPADE  
ASSEMBLY

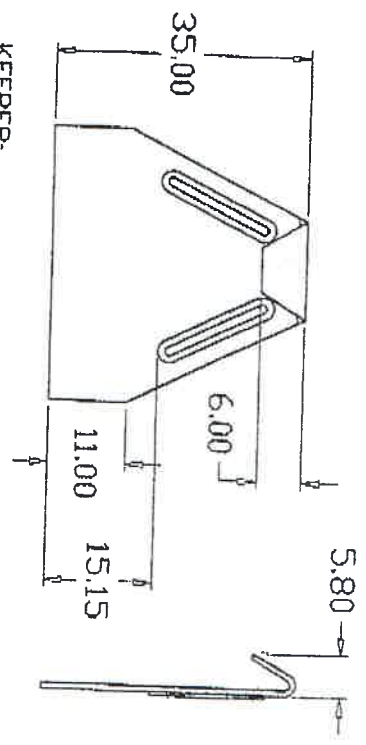
**Cain**  
MANUFACTURING COMPANY, INC.  
QUALITY HVAC PRODUCTS SINCE 1935

NOTE: Proprietary Rights are retained in this information disclosed herein. This information is submitted in confidence and is not to be transferred to any other person or used to disclose or obtain for manufacturing or any other purpose except as specifically authorized in writing by Wind Corporation.

REV	DESCRIPTION	DATE	APPROVED
A	Revision #01-595	6/21/01	KGH
B	Revision #02-836	10/18/02	KGH
C	Revision #06-1310	2/27/06	K. Howland



SASH LOCK:  
 MATERIAL - STEEL 17 Ga. THICK,  
 ZINC PLATED (1.40 mm)



KEEPER:  
 MATERIAL - STEEL, 23 Ga. THICK,  
 ZINC PLATED

PART NUMBER	DESCRIPTION	PACKAGING
50028-000	SASH LOCK & KEEPER SET	500 PCS KEEPERS PER POLYBAG PER INNER CARTON 2 INNER CARTONS PER EXPORT CARTON ALONG WITH 500 PCS LOCKS PER POLYBAG PER INNER CARTON 2 INNER CARTONS PER EXPORT CARTON TOTAL OF 1090 SETS PER EXPORT CARTON
50028-201	SASH LOCK ONLY	500 PCS SASH LOCKS IN POLYBAG PER INNER CARTON 2 INNER CARTONS PER EXPORT CARTON
50028-202	KEEPER ONLY	500 PCS KEEPERS IN POLYBAG PER INNER CARTON 2 INNER CARTONS PER EXPORT CARTON

- NOTES:
- 1) NO SHARP EDGES OR BURRS.
  - 2) ALL DIMENSIONS ARE IN MM.
  - 3) PACK PARTS AS PER TABLE.
  - 4) EXPORT CARTON MARKING AS PER DOCUMENT NUMBER "PCK101."

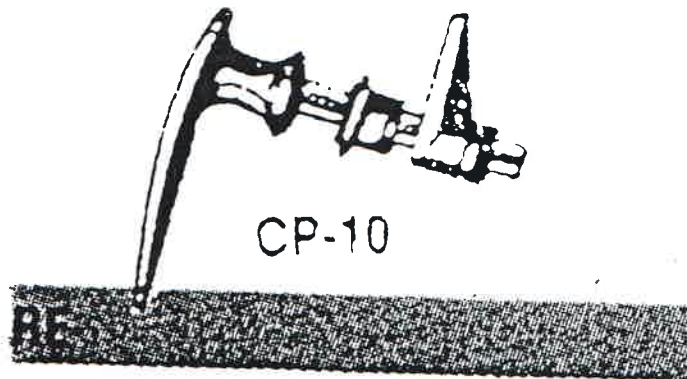


DRAWING TITLE  
**Sash Lock & Keeper**

MATERIAL:	See Part	SIZE:	A	DWG NO.:	50028 (See Table)	REV:	C	REV DATE:	02/27/06
FINISH:	See Part	SCALE:	1:1	DRAWN BY:	MAG	DATE:	06/21/01	SHEET:	1 OF 1

**ACCESS DOOR HANDLES**

PACKED 25 PER CTN.



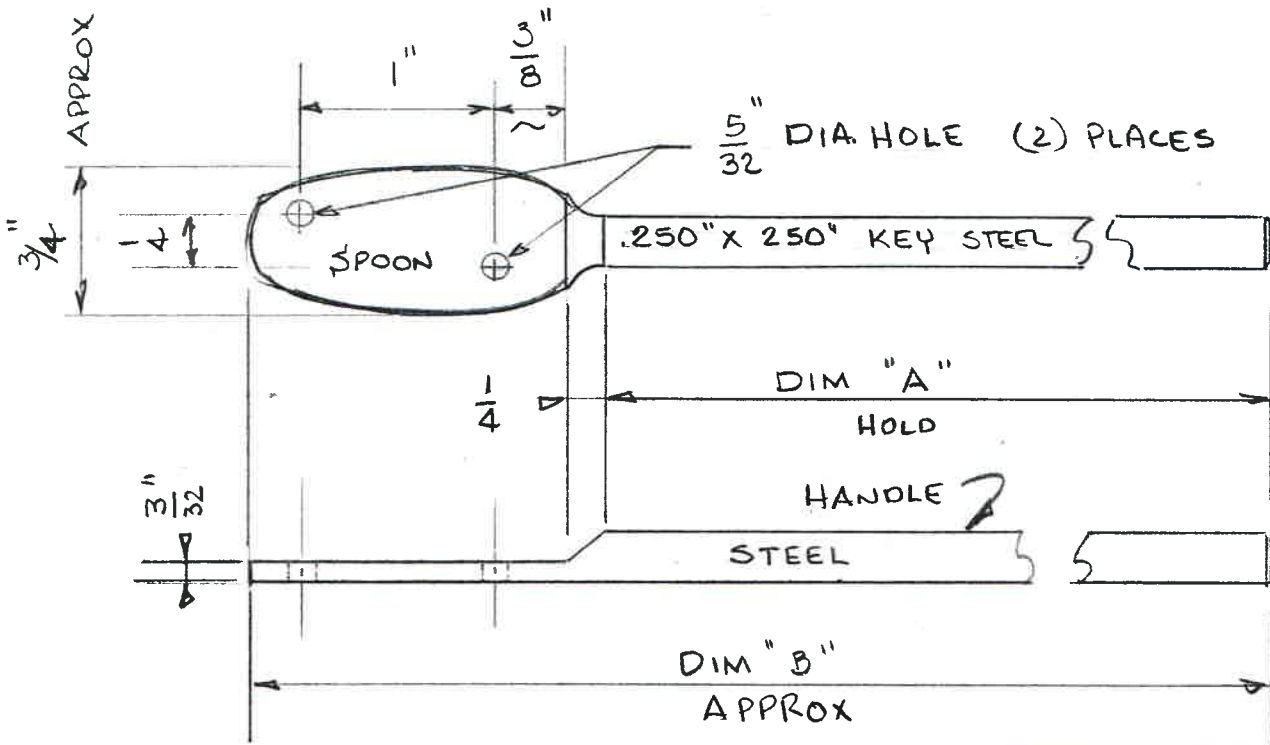
CP - 10

- \* Heavy zinc/ aluminum alloy die cast parts
- \* Smooth Finish, corrosion resistant & rustproof
- \* 3/8" Diameter shaft with recessed grid to secure set screw
- \* Steel & neoprene washers both sides for airtight performance
- \* Easily installed

Door width 1 1/4 - 2"

ALL STEEL BEARINGS

- DH B 14S
- DH B 14LS
- DH B 14LSS
- DH B 143LS
- DH B 14XLS

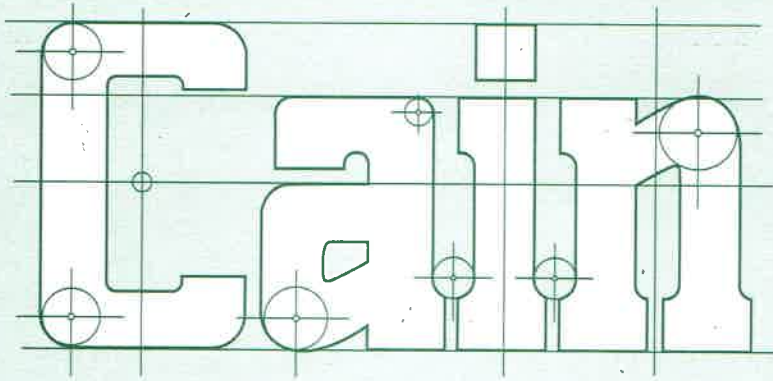


MODEL:  
 ALL PARTS  
 ZINC PLATED

- DH B 14 \$
- DH B 14 L \$
- DH B 14 L \$ \$
- DH B 143 L S
- DH B 14 X L S

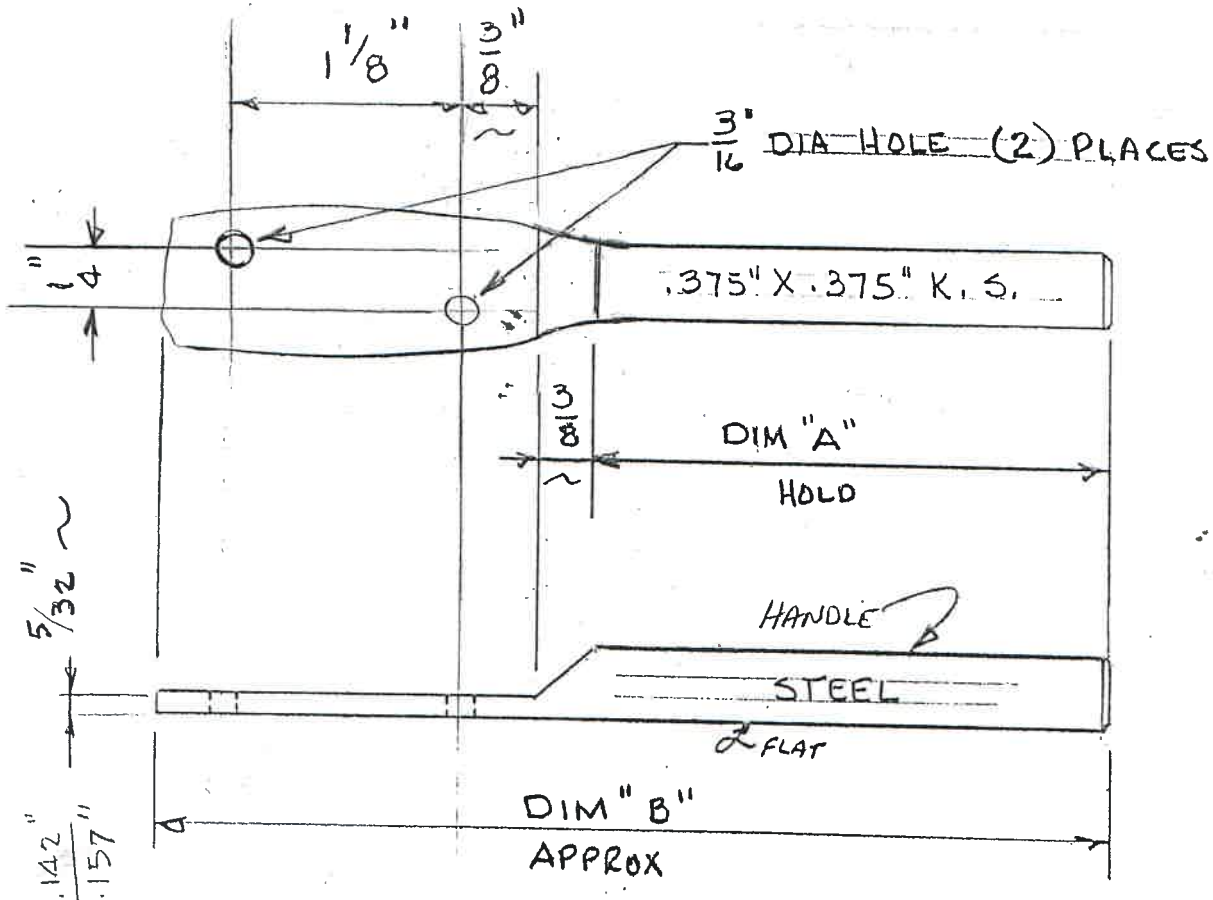
A	B
7/8	2 3/8
2	3 3/4
2 3/8	4 1/8
3 1/8	4 7/8
4	5 3/4





ALL STEEL BEARINGS

- DH B 38 S
- DH B 38 LS
- DH B 38XLS



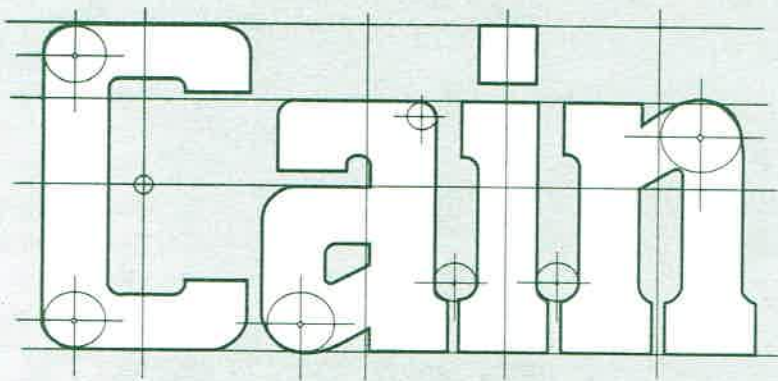
MODEL:

- DH B 38 S
- DH B 38 LS
- DH B 38XLS

A	B
1	3 1/4
2	4 1/4
2 3/4	5

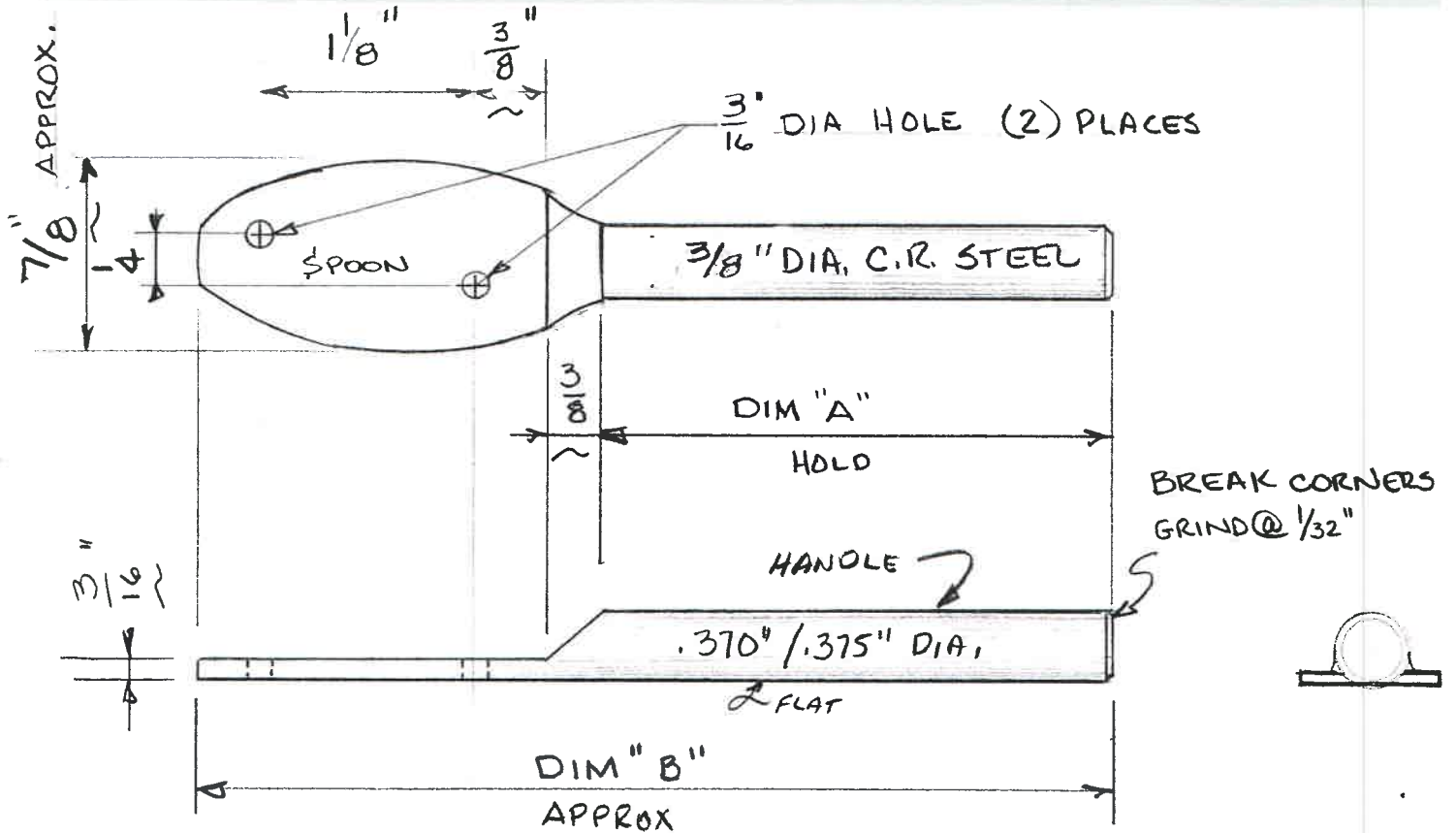
ZINC PLATED





ALL STEEL BEARINGS

- DH RB 38S
- DH RB 38LS
- DH RB 38XLS



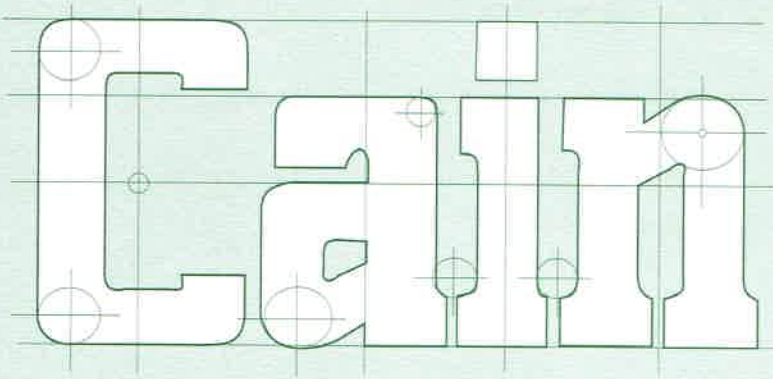
MODEL: DH RB 38S  
 DH RB 38LS  
 DH RB 38XLS  
 ZINC PLATED

A	B
1	3 1/4
2	4 1/4
2 3/4	5

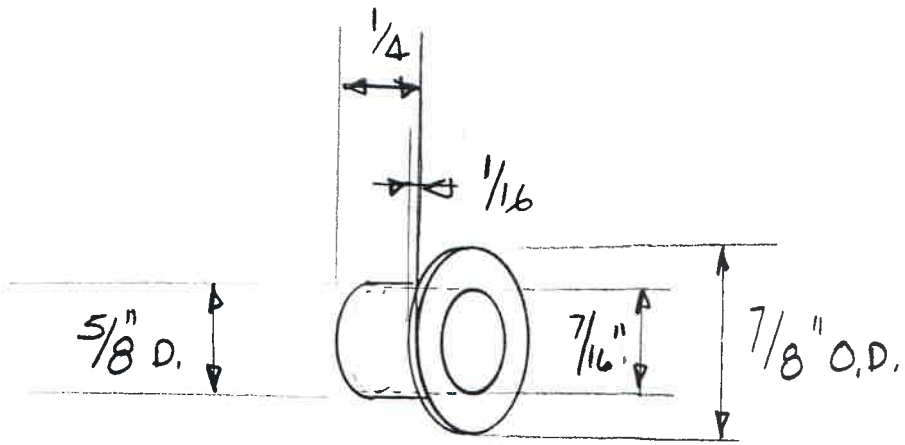
NON STOCK  
 NON STOCK

NOTE: BOTTOM SURFACE OF BEARING MUST REMAIN FLAT AFTER PRESSING SPOON



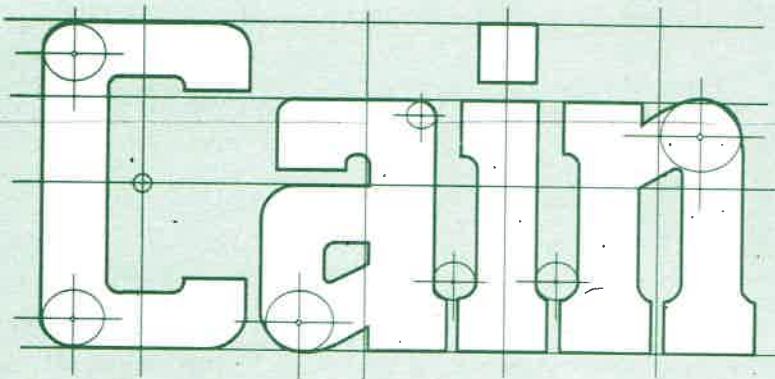


BRONZE BUSHING  
DH CKP 9  
5/8" O.D. X 7/16" I.D.  
7/8" FLANGE X 1/16" THK



DH CKP-9  
BRONZE BUSHING  
7/16" I.D. X 5/8" O.D. 1/16" FLANGE  
FLANGE O.D. = 7/8"

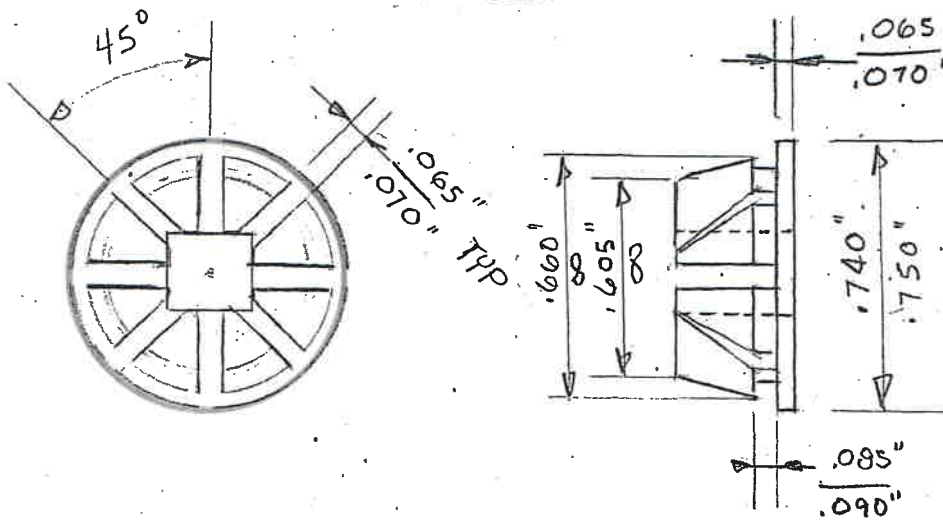
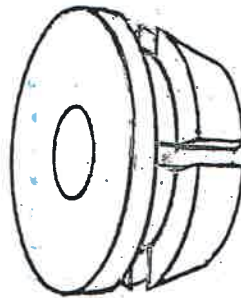
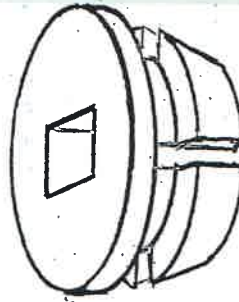




**NYLON BEARING**

- DH NB 14R
- DH NB 14S
- DH NB 38R
- DH NB 38S

Temp Range - 99°- +199°F Melts  
 @ 450°F  
 Snaps into 5/8" Dia. Hole  
 Easy to install - thumb pressure  
 snaps & locks in place



**Cain**  
 MANUFACTURING COMPANY, INC.  
 QUALITY HVAC PRODUCTS SINCE 1935



# CAIN

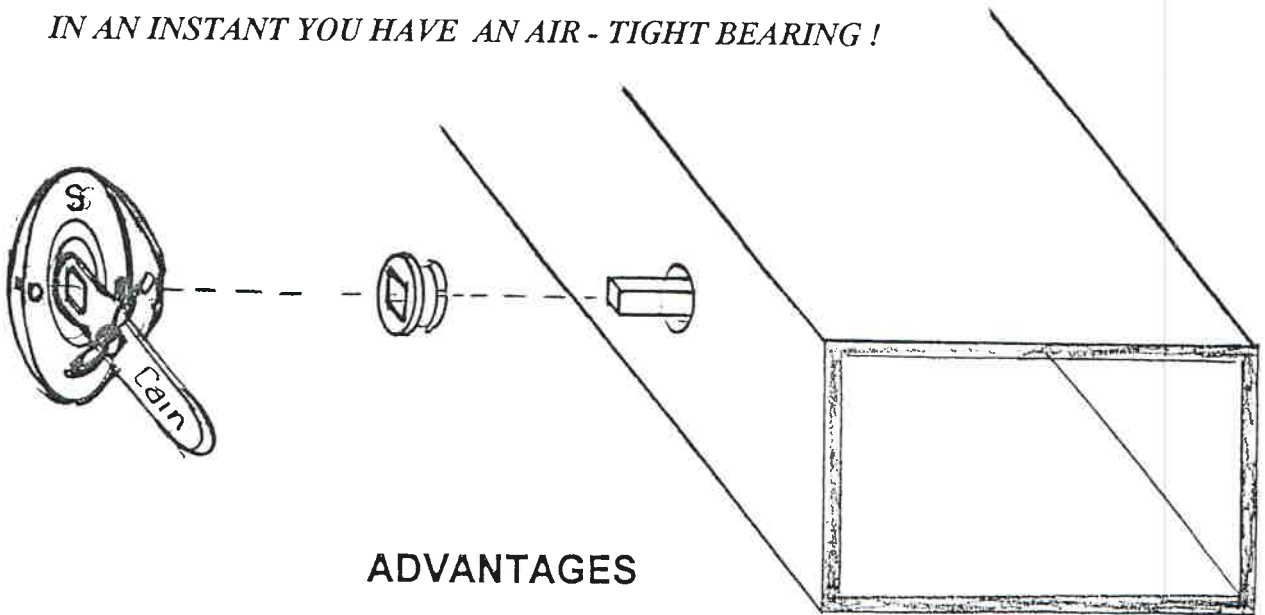
## Snap - Loc

*Nylon Bearing Inserts*

**Q. HOW DO YOU FIT A SQUARE BEARING INTO A ROUND HOLE?**

**A. SIMPLE ! USE CAINS NEW EXCLUSIVE SELF LOCKING NYLON INSERTS.**  
JUST SNAP THE SELF LOCKING INSERT INTO THE PRE-DRILL HOLE AND **PRESTO !**

***IN AN INSTANT YOU HAVE AN AIR - TIGHT BEARING !***



### ADVANTAGES

1. SOLVES AN INDUSTRY OLD PROBLEM.
2. VIRTUALLY AIR TIGHT.
3. EASY TO INSTALL - THUMB PRESSURE SNAPS AND LOCKS INTO PLACE.
4. SAVES MONEY -- REDUCES AIR LOSS.
5. EASY TO ROTATE NYLON INSERT--AN EXCELLENT BEARING SURFACE.
6. LOW COST -- JUST PENNIES PER INSERT.
7. AVAILABLE FOR 1/4" & 3/8" SQUARE AND ROUND BEARINGS.

**ANOTHER QUALITY PRODUCT FROM CAIN.**

## Marlex® 1007

LOW DENSITY POLYETHYLENE

This autoclave LDPE homopolymer is tailored for applications that require:

- Excellent flexibility
- Good flow
- Moderate mold release
- Good warpage resistance

Typical injection molded applications for 1007 include items such as:

- Housewares
- Tamper evident, snap-on caps
- Wine bottle sleeve caps

This resin meets these specifications:

- ASTM D4976 - PE 113
- FDA 21 CFR 177.1520(c) 2.1, use conditions C through G per 21 CFR 176.170(c)

NOMINAL PHYSICAL PROPERTIES <sup>(1)</sup>	English	SI	Method
Density	---	0.917 g/cm <sup>3</sup>	ASTM D1505
Melt Index, 190/2.16	---	7.0 g/10 min	ASTM D1238
Tensile Strength at Yield, 2 in/min, Type IV bar	1,300 psi	9 MPa	ASTM D638
Elongation at Break, 2 in/min, Type IV bar	600%	600%	ASTM D638
Flexural Modulus, Tangent - 16:1 span:depth, 0.5 in/min	30,000 psi	200 MPa	ASTM D790
Durometer Hardness, Type D (Shore D)	47	47	ASTM D2240
Vicat Softening Temperature, Loading 1, Rate A	189°F	87°C	ASTM D1525
Brittleness Temperature, Type A, Type I specimen	-87°F	-66°C	ASTM D746

1. The nominal properties reported herein are typical of the product, but do not reflect normal testing variance and therefore should not be used for specification purposes. Values are rounded. The physical properties were determined on compression molded specimens that were prepared in accordance with Procedure C of ASTM D4703, Annex A1.

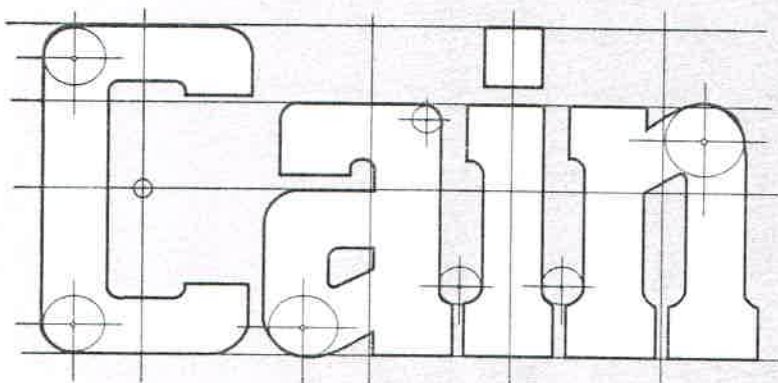
MSDS #240370

Revision Date April, 2004

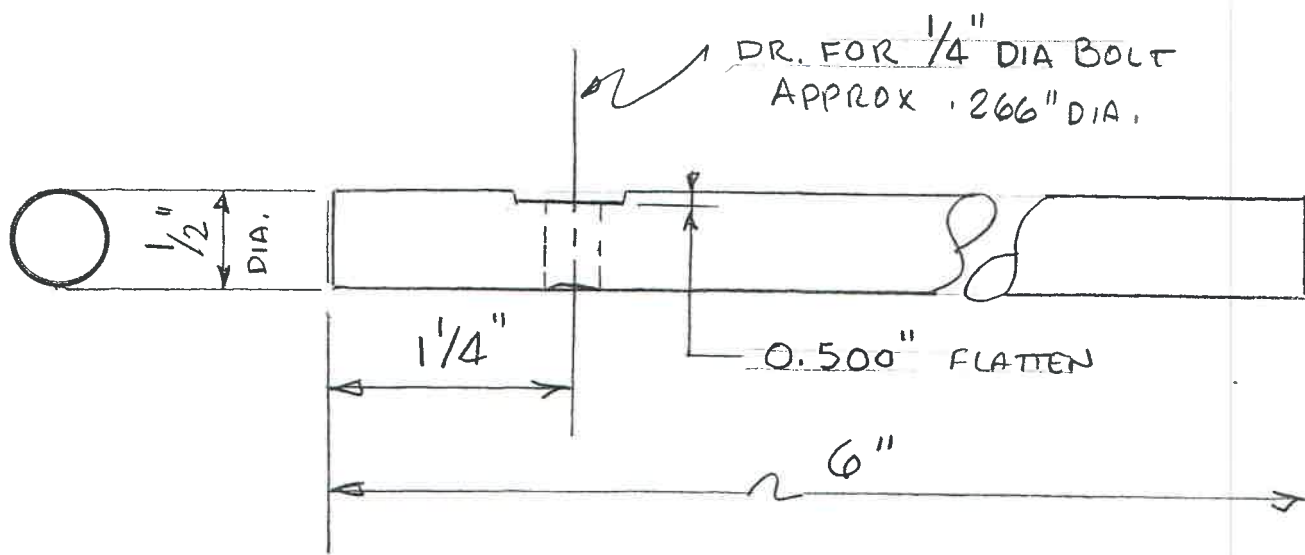
Another quality product from



Before using this product, the user is advised and cautioned to make its own determination and assessment of the safety and suitability of the product for the specific use in question and is further advised against relying on the information contained herein as it may relate to any specific use or application. It is the ultimate responsibility of the user to ensure that the product is suited and the information is applicable to the user's specific application. Chevron Phillips Chemical Company LP does not make, and expressly disclaims, all warranties, including warranties of merchantability or fitness for a particular purpose, regardless of whether oral or written, express or implied, or allegedly arising from any usage of any trade or from any course of dealing in connection with the use of the information contained herein or the product itself. The user expressly assumes all risk and liability, whether based in contract, tort or otherwise, in connection with the use of the information contained herein or the product itself. Further, information contained herein is given without reference to any intellectual property issues, as well as federal, state or local laws which may be encountered in the use thereof. Such questions should be investigated by the user.

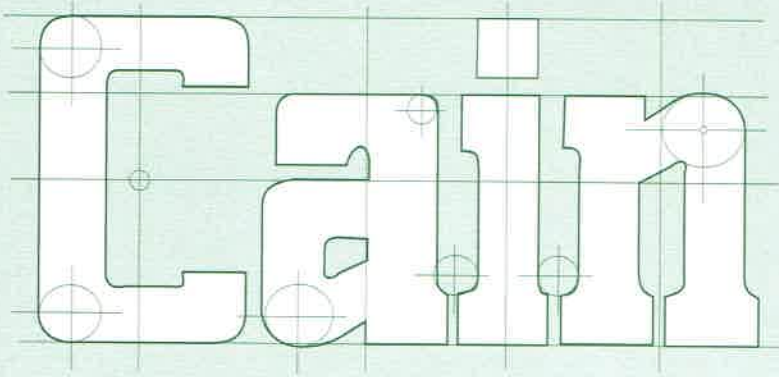


1/2" DIA X 6" PIN  
MILLED & DRILLED  
DH CKP 8



**Cain**  
MANUFACTURING COMPANY, INC.  
QUALITY HVAC PRODUCTS SINCE 1935

P.O. Box 1000 • Pelham, AL 35124 • 205-663-2200 • 1-800-554-0342 • FAX 205-663-2298

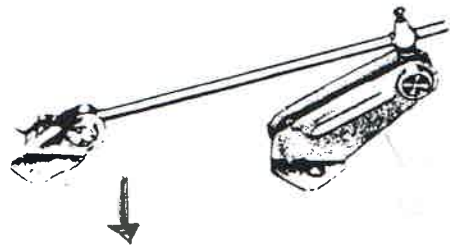


# Cain OPPOSED MULTI- BLADE DAMPER KITS

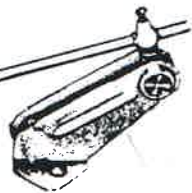
Engineers prefer **Cain Opposed Action Damper** because turbulence is minimized and control of air is more linear. Installation is simple and the Cain Kit eliminates complicated calculating and layout work. Now, you can build **Opposed Action Dampers** just as easily as conventional as our parallel blade damper kits **Cain Opposed Blade Kit** is ideal for the largest commercial and industrial damper construction where damper blades are at least 5 inches and wider. Cain 4-way Self-adjustability automatically compensates for any construction inaccuracies. This feature is especially important on Opposed Action Dampers where linear operation is a must. Critical dimension between linkage points are maintained during operation. More importantly the blades are rigidly held in position...so they won't flutter or rattle. Cain Opposed Action Blade Kits contains all the necessary hardware for 2 Opposed Action Damper Blades and includes Parts as shown

## OPPOSED BLADE KITS

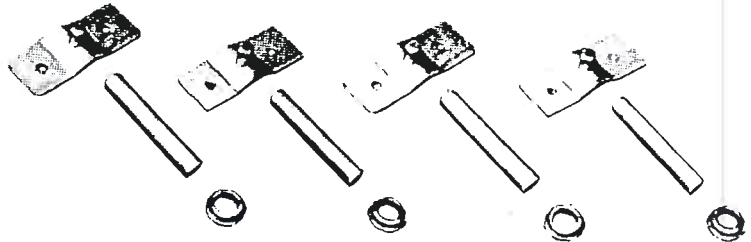
Model Number	Bearing Size	Sets/Ctn
DH CKO 3	7/16 INCH DIA.	50
DH CKO 4	1/2 INCH DIA.	50



Low Bracket & Rod  
DH CKP 23

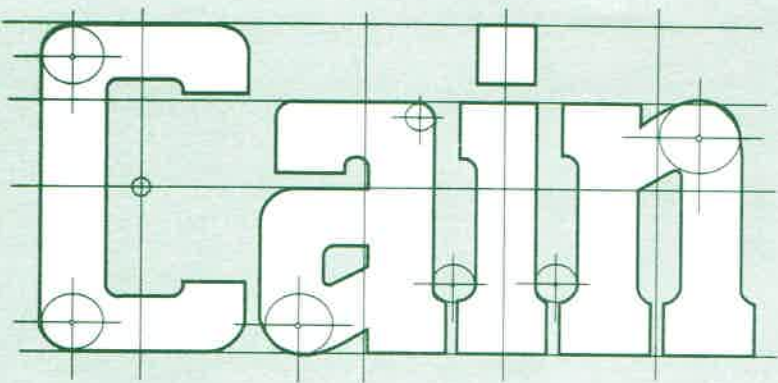


High Bracket  
DH CKO 914



( 4 ) each Bronze Bushing, 2 1/2 inch Pin, & Bearing Strap w/ Set Screw  
DH CKP1 0    DH CKP 5    DH CKP 13

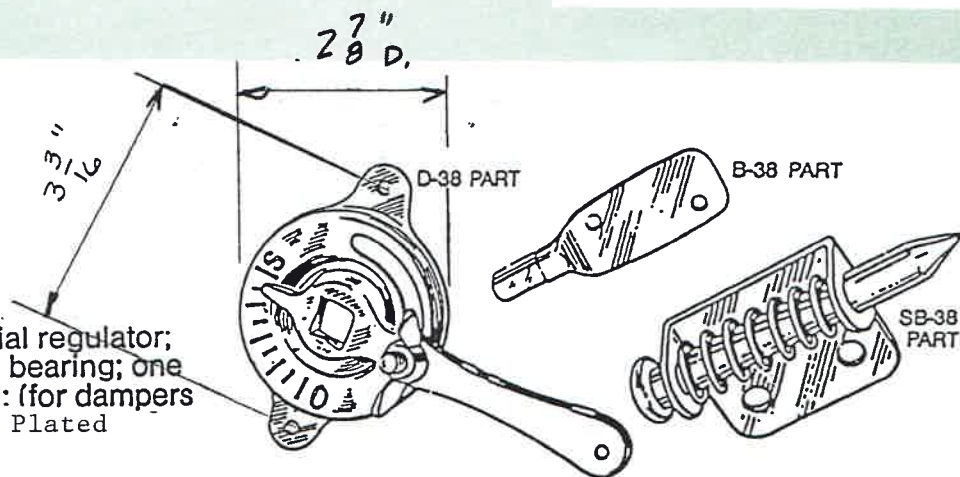
**Cain**  
MANUFACTURING COMPANY, INC.  
QUALITY HVAC PRODUCTS SINCE 1935



DAMPER QUADRANTS AND DIALS  
AVAILABLE IN 3/8" & 1/2"

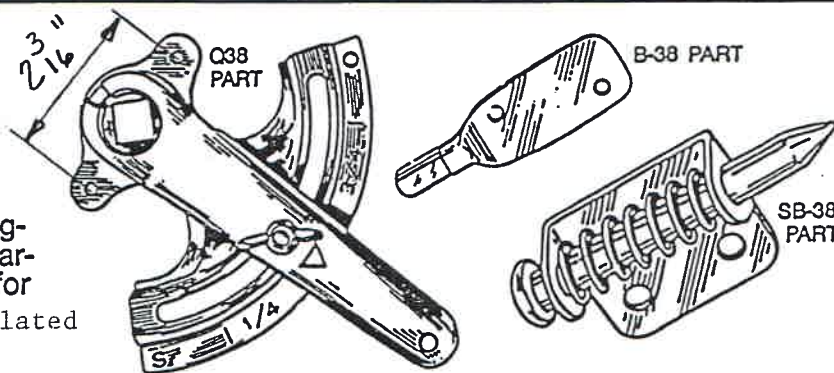
**DS38 SET**

Contains one 3/8" dial regulator;  
one 3/8" retractable bearing; one  
3/8" square bearing: (for dampers  
up to 20") Zinc Plated



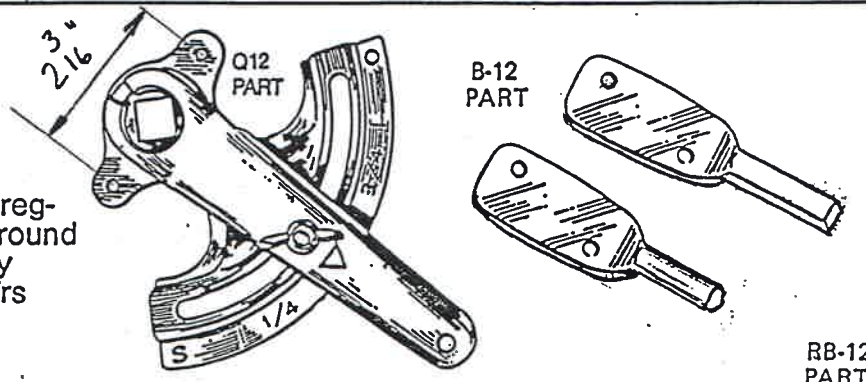
**QS38 SET**

Contains one 3/8" quadrant reg-  
ulator; one 3/8" retractable bear-  
ing; one 3/8" square bearing (for  
dampers up to 20") Zinc Plated

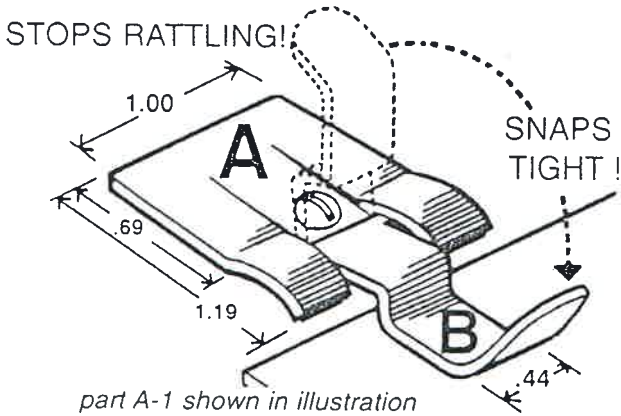


**QS12 SET**

Contains one 1/2" quadrant reg-  
ulator; one 1/2" heavy duty round  
bearing; one 1/2" heavy duty  
square bearing (for dampers  
up to 30") Zinc Plated



## Quick-Release Fasteners



All styles are available in *zinc-plated carbon steel* and in *stainless steel*.

Note that part B, the moveable arm is .44" wide, but the length will vary according to the different styles. Part B can be reversed.

(see the back page showing Fasteners with the clip in the reversed position).

## Quick-Release Fasteners Have Many Holding Applications

- Hold removable access doors, panels, grills, covers, screens, filters, windows, placards, signs, etc.
- Easy to install & no tools to operate
- Are durable, strong, & have long life
- Stops vibration
- Special styles made to order
- Made in U.S.A.

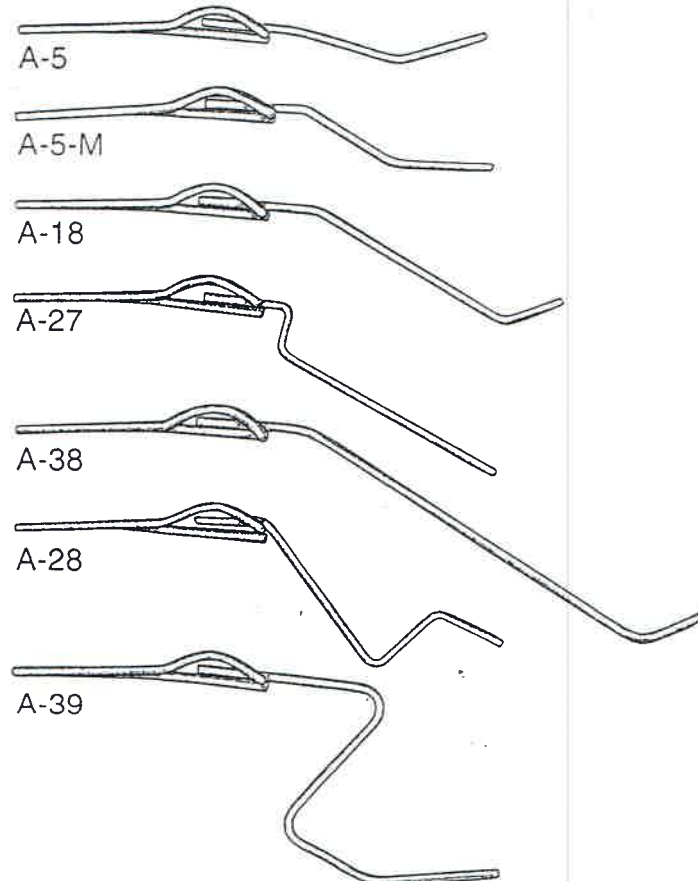
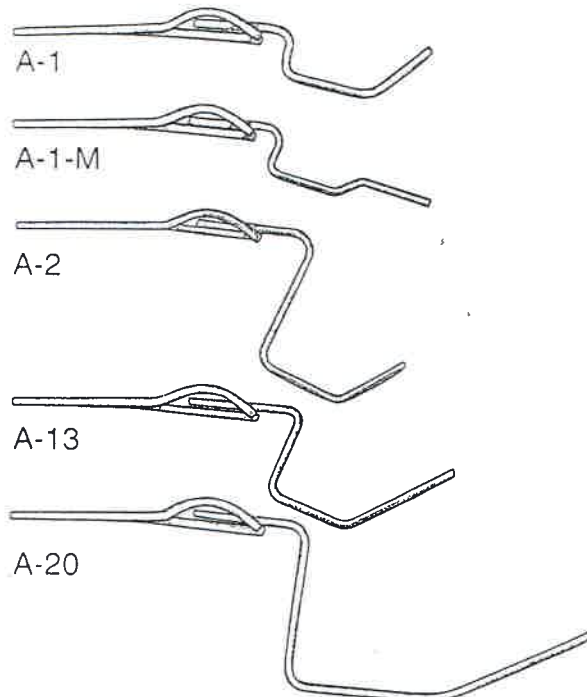
Part A, the spring plate, is the same size in all styles. Zinc-plated carbon steel fasteners are furnished with one hole (.203" diameter). Springs with two holes are available. Stainless fasteners are furnished with two holes. One-hole springs are available.

All metal thickness is .050"



Style A-1 is shown in 3/4 view.

### Select From These Standards In Actual Size



All Fasteners are shown in closed position

A-17

A-17X

A-8

A-29

A-10

A-64

A-60

A-74

A-62

A-58

A-12

A-26

A-37

A-19

A-9

A-53

A-41

A-52

A-70

A-75

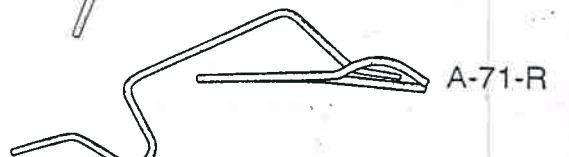
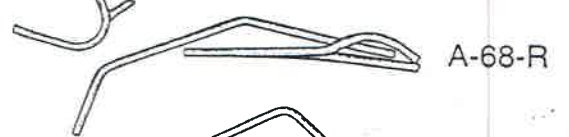
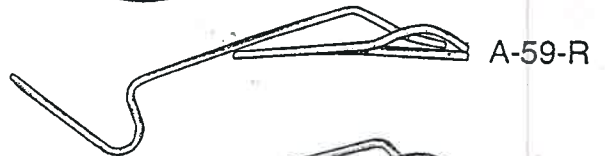
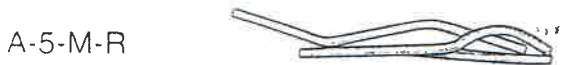
**Cain**

MANUFACTURING COMPANY, INC.

QUALITY HVAC PRODUCTS SINCE 1935

P.O. Box 1000 • Pelham, AL 35124 • 205-663-2200 • 1-800-554-0342 • FAX 205-663-2298

Moveable Arm Shown In Reversed, Closed Position.



## Blanks

MADE-TO-ORDER STYLES FORMED FROM THE FOLLOWING BLANKS



Part No. A-4 ( Moveable arm is 1.50" long )



Part No. A-6 ( Moveable arm is 2.00" long )



Part No. A-33 ( Moveable arm is 2.875" long )

**Cain**  
MANUFACTURING COMPANY, INC.

QUALITY HVAC PRODUCTS SINCE 1935

P.O. Box 1000 • Pelham, AL 35124 • 205-663-2200 • 1-800-554-0342 • FAX 205-663-2298