

# STRUCTURALLY CALCULATED ROOF CURB CBC COMPLIANT WITH IBC 2009, CBC 2010, ASCE/SEI 7-05

**SELECT PRODUCT**

- 
- 
- 
- 

CANFAB PART #	BASE CURB HEIGHT	APPROXIMATE SHIPPING WEIGHT
1001A-CB08A-CBC	8"	99 LBS.
1001A-CB11A-CBC	11"	106 LBS.
1001A-CB14A-CBC	14"	112 LBS.
1001A-CB18A-CBC	18"	122 LBS.

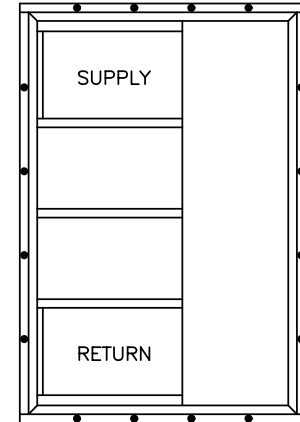
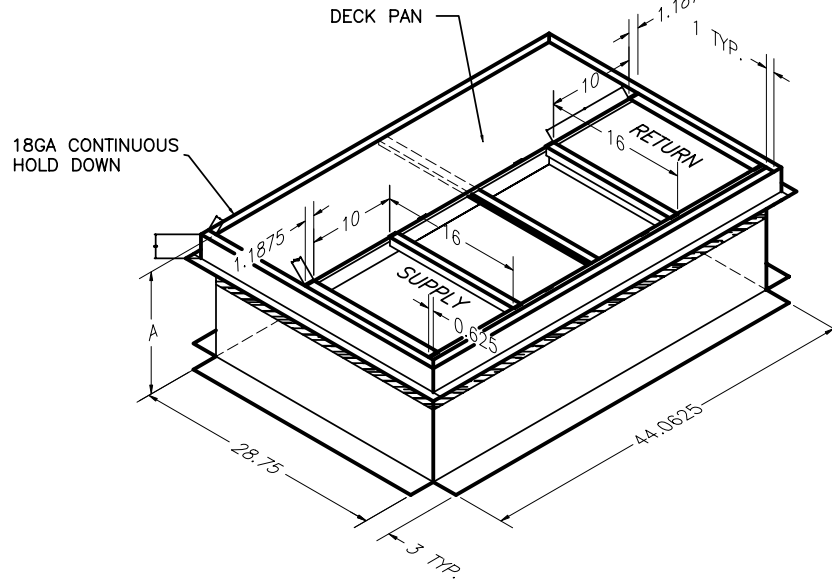
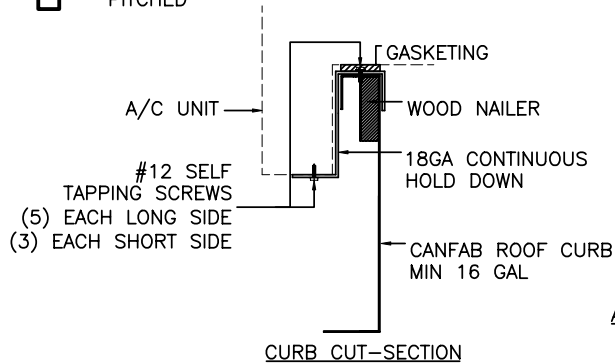
- o ROOF CURB IS MIN 16 GA. GALVANIZED STEEL.
- o FULL PERIMETER WOOD NAILER PROVIDED.
- o GASKET MATERIAL & ASSEMBLY HARDWARE PROVIDED.
- o TOP CORNERS ARE MITRED.
- o CURBS ARE SHIPPED KNOCKED DOWN.

**SELECT CONSTRUCTION**

- A=STANDARD BOLT TOGETHER CONSTRUCTION (SHOWN ABOVE).
- E=STANDARD BOLT TOGETHER CONSTRUCTION EXTERNALLY INSULATED.
- F=FINGERLOCK CONSTRUCTION HEAVY GA. GALVANIZED STEEL (ONLY AVAILABLE ON 11" AND 14" MODELS).
- G=FINGERLOCK CONSTRUCTION EXTERNALLY INSULATED HEAVY GAUGE GALVANIZED STEEL (ONLY AVAILABLE ON 11" AND 14" MODELS).

**SELECT IF PITCHED (INCLUDE PITCH ORIENTATION FORM)**

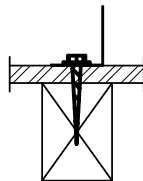
- PITCHED



#12 SELF TAPPING SCREWS.  
 (5) EACH LONG SIDE OF CURB  
 (3) EACH SHORT SIDE OF CURB  
 \*SEE CURB CUT-SECTION DETAIL\*

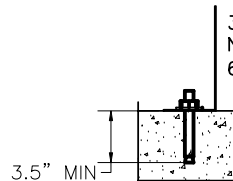
**STRUCTURAL REVIEW BY:**

**ATTACHMENT TO WOOD**



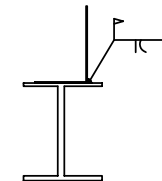
(6) 3/8"x4" LAG SCREWS.  
 CENTER ON CURB BOTTOM,  
 1/2" EACH LONG SIDE.

**ATTACHMENT TO CONCRETE**



(6) 1/2" HILTI KWIK BOLT TZ.  
 CENTER ON CURB BOTTOM,  
 1/2" EACH LONG SIDE.

**ATTACHMENT TO STEEL**



1/8" FILLET WELD.  
 2" LONG, 48" CENTERS

**MARTIN & associates**

**JOHN A. MARTIN AND ASSOCIATES**  
 Structural Engineer  
 950 South Grand Ave  
 Los Angeles, California 90015  
 Phone (213) 483 9490  
 Fax (213) 483 3084  
 Job No.:



182 GRANITE STREET, SUITE 101, CORONA, CA 92879  
 PHONE: (951)278-1830 FAX: (951)278-8444 www.canfab.com canfab@canfab.com

**DAY & NIGHT 2 - 3 TON** PAD3/PAD4/PDD3/PDS3/PGD3/PGD4/PGS3/PGS4/PHD3 024-036,  
 PAD5/PGD5/PGS5/PHD5 024, PDD4/PDS4/PHD4 024-030 PAR5/PHR5/PGR5 024-030,

PART NO: SEE ABOVE

DRAWING NO:

DATE:

APPROVED BY:

DATE: / /



CANNON FABRICATION INC

182 GRANITE STREET, SUITE 101, CORONA, CA 92879

PHONE: (951)278-1830 FAX: (951)278-8444 www.canfab.com canfab@canfab.com

DAY & NIGHT 2 - 3 TON

PAD3/PAD4/PDD3/PDS3/PGD3/PGD4/PGS3/PGS4

/PHD3 024-036, PAD5/PGD5/PGS5/PHD5 024,

PDD4/PDS4/PHD4 024-030

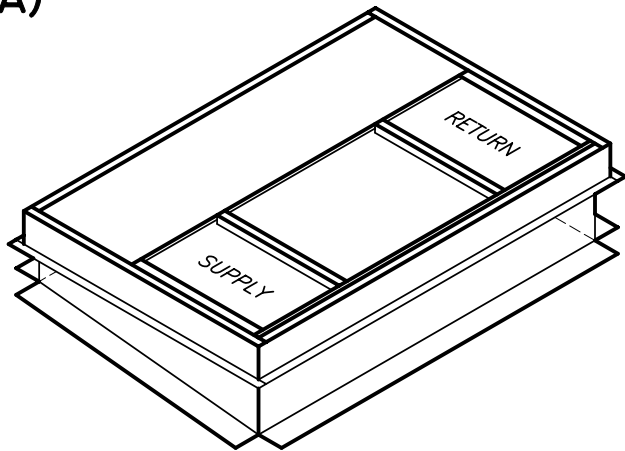
PART NO: SEE BELOW

### PITCHED ROOF CURB

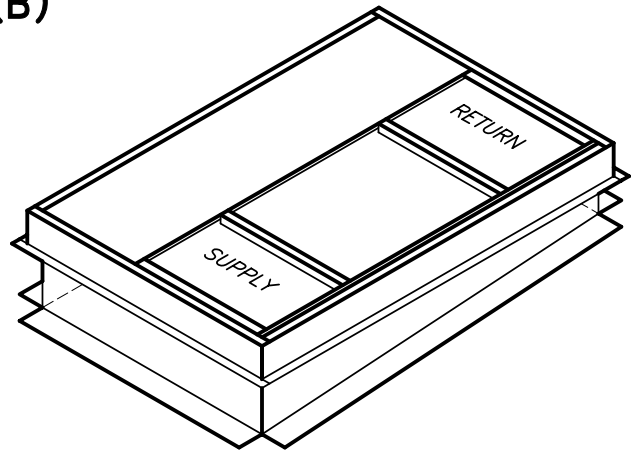
FOR CANFAB MODEL NUMBER  
1001A / 1002A / 1003A / 1004A

DRAWINGS MUST ACCOMPANY ALL PITCHED CURB ORDERS

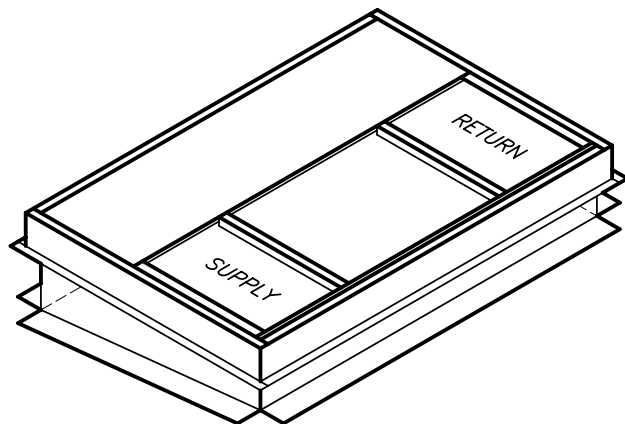
(A)



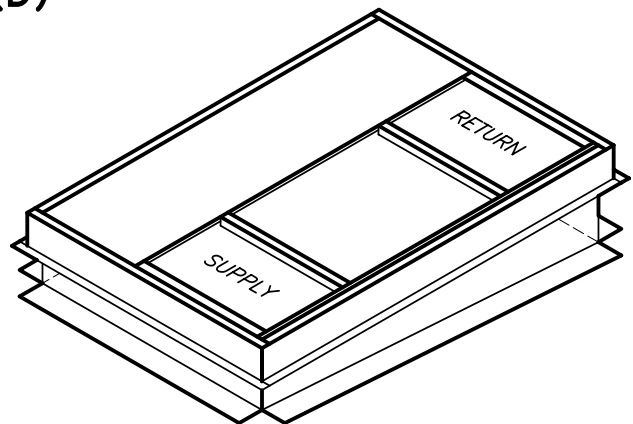
(B)



(C)



(D)



\_\_\_\_\_ " ON 12"  
(CIRCLE A, B, C, D TO SPECIFY  
DUCT PLACEMENT)

PROJECT:

DATE:

ENGINEER:

DISTRIBUTOR:

DRAWING NUMBER: