

OPTIONS:

MATERIAL: 18ga. GALV STEEL
INSULATED PANELS (WHERE REQUIRED)
1" 1-1/2LB DUCT INSULATION (R VALUE 3.85)
GASKET PROVIDED WITH CURB
1 1/2" ADDED TO EXISTING CURB O.D.

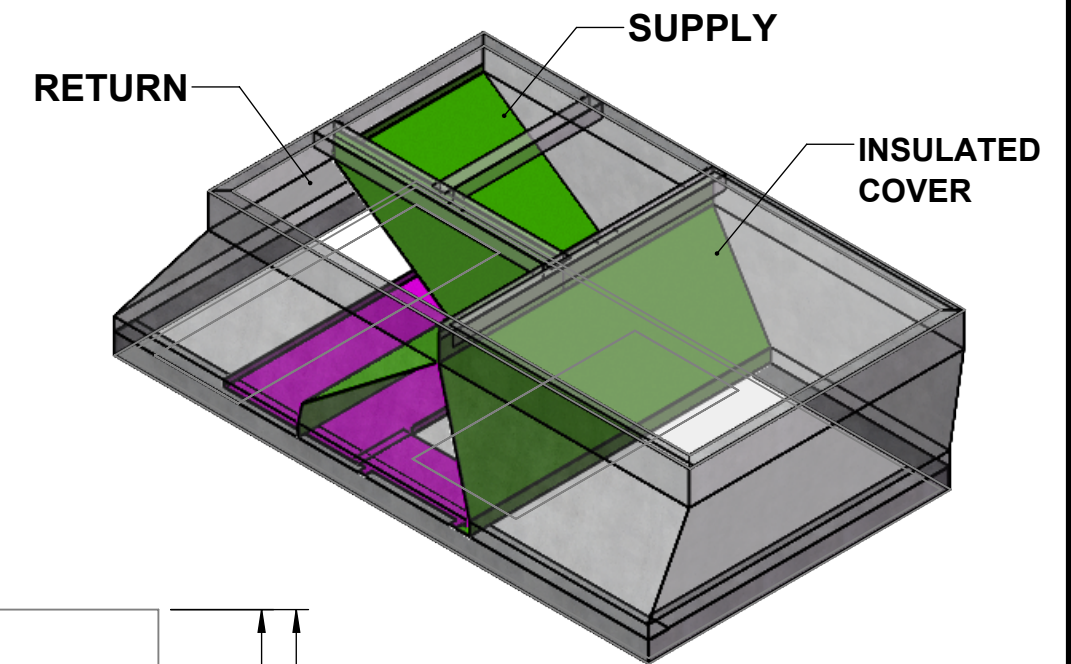
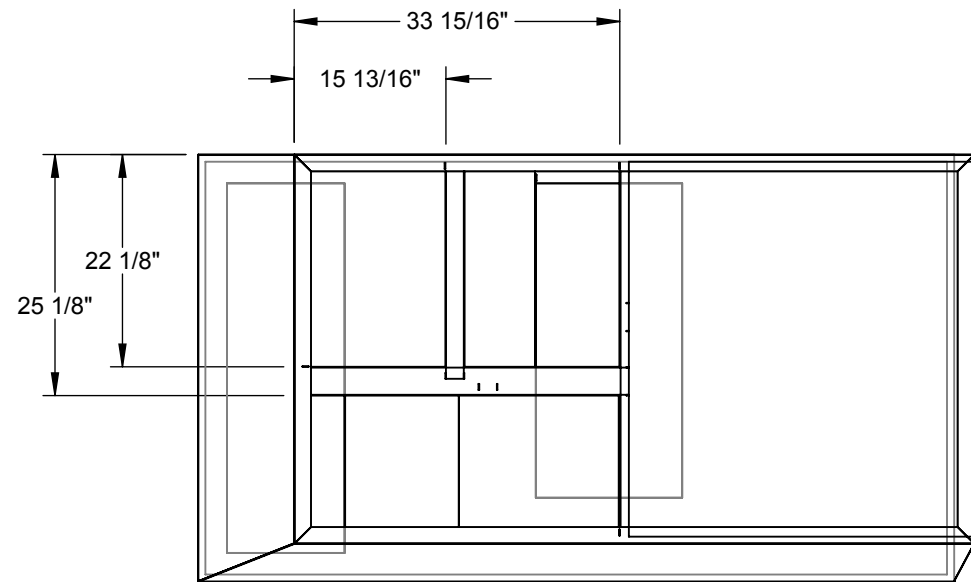
DIMENSIONED AND TOLERENCED PER ANSI Y14.5M-1982

REVISIONS				
REV.	ECO#	DESCRIPTION	DATE	APPROVED
1		INITIAL DRAWING	6/23/2006	
2		CHANGE TO PARALLEL	2/19/2019	MWG
3		REMOVE SUPPLY BRACE TO MATCH TURRET PAPERWORK	2/19/2019	EH
4		UPDATE TO INCLUDED 3X3 IN WALL	2/19/2019	HMH

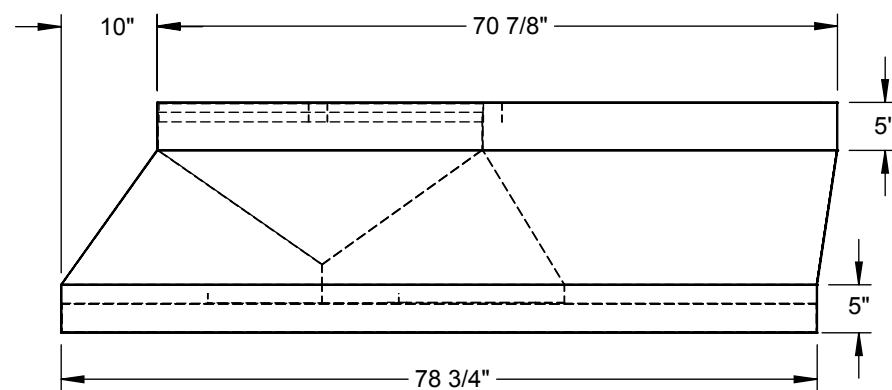
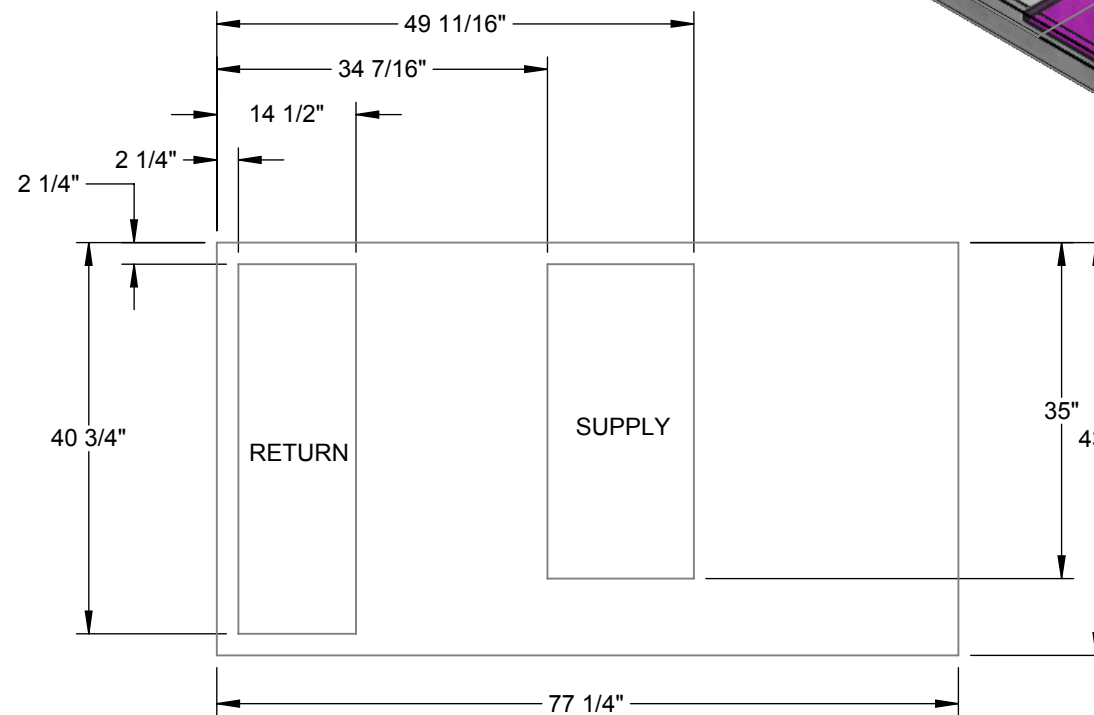
Attn: _____

Tag: _____

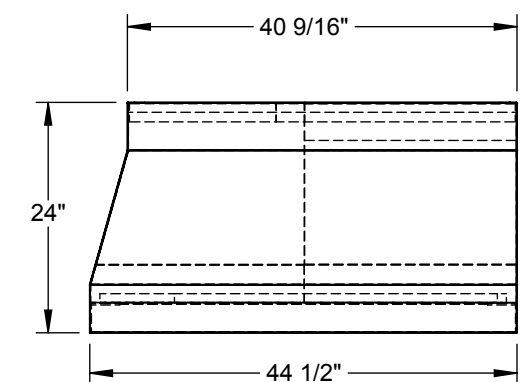
Approval: _____



EXISTING CURB LAYOUT



CDI Model Number	Existing Unit	New Unit	Tonnage	Supply Pressure Drop	Return Pressure Drop
1-3000-4000	TRANE	CARRIER/BRYANT	3	0.046"H2O	0.020"H2O
			4	0.081"H2O	0.035"H2O
			5	0.126"H2O	0.053"H2O
			6	0.182"H2O	0.076"H2O



CURB SHOWN IS CDI STANDARD CONFIGURATION CDI RESERVES THE RIGHT TO CHANGE LAYOUT WITHOUT NOTIFICATION. IF CURB IS NEEDED IN A DIFFERENT CONFIGURATION CDI MUST BE NOTIFIED PRIOR TO PLACING AN ORDER.

OPERATIONAL HEIGHT OF CDI ADAPTER IS 3" LESS THAN OVERALL CURB HEIGHT SHOWN.

THIS DRAWING & THE INFORMATION CONTAINED THEREIN IS THE CONFIDENTIAL, PROPRIETARY INFORMATION OF CRYSTAL DISTRIBUTION INC., & MAY NOT BE USED OR REPRODUCED WITHOUT THE APPROVAL OF CRYSTAL DISTRIBUTION, INC. ALL RIGHTS RESERVED.	APPROVALS DRAWN: hhom	DATE 3/15/2019	TITLE/FILE NAME: 1-3000-4000		
	CHECKED: _____ DIMENSIONS ARE AS FOLLOWS: 1.00 in [25.40 mm]		APPROXIMATE CURB WEIGHT (LBS.) 103.67	ECO #: _____	REV: 1
*VERIFY EXISTING CURB OD *VERIFY SUPPLY AND RETURN OPENINGS *NOTE ANY CHANGES *CALL WITH ANY QUESTIONS *FAX BACK IF DRAWING IS OK AS IS			Contact us @ www.cdicurbs.com or 1-888-234-7001	SCALE: 1:20	SHEET: 1 OF 13