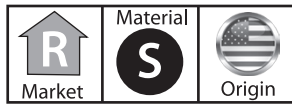
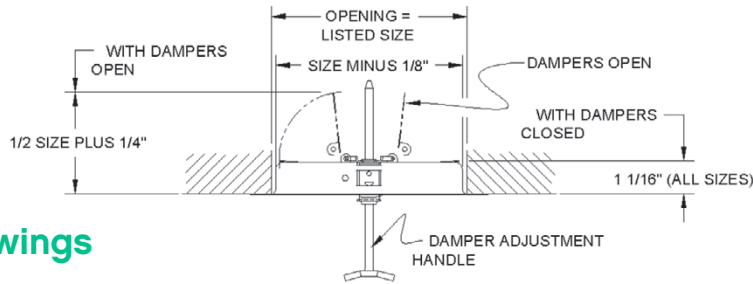


Series 12B Damper/Duct Ring

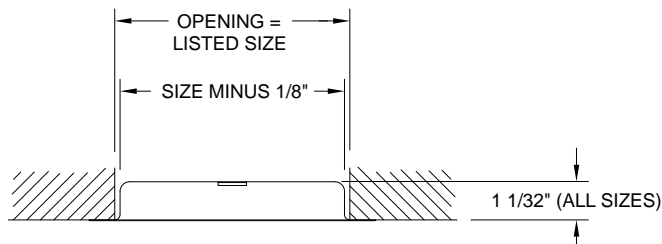
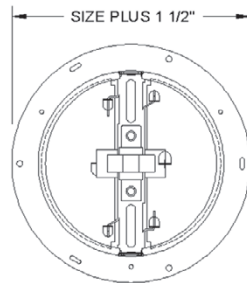


- Butterfly damper
- Galvanized steel construction
- Available diameters: 6", 8", 10", 12", 14"
- Made in the U.S.A.

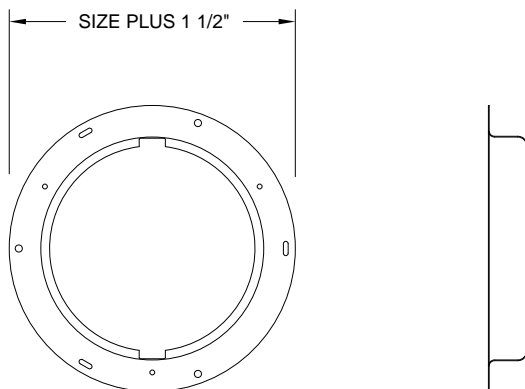
Use with Series 16 diffuser



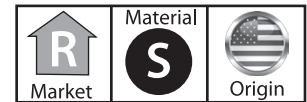
Dimensional Drawings



Dimensional Drawings



Series 11 Duct Ring



- Galvanized steel construction
- Available diameters: 6", 8", 10", 12", 14"
- Made in the U.S.A.

Use with Series 16 diffuser

