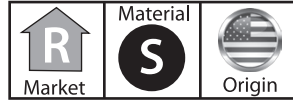
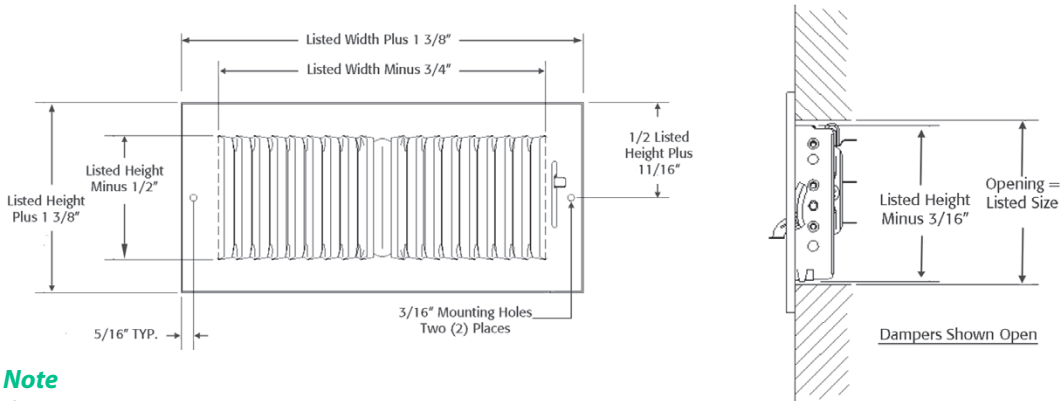


# Series 22 Sidewall/Ceiling Register

- Lanced face
- Multi-shutter damper
- 2-way diffusion
- 1/2" spaced fins
- White finish
- Made in the U.S.A.

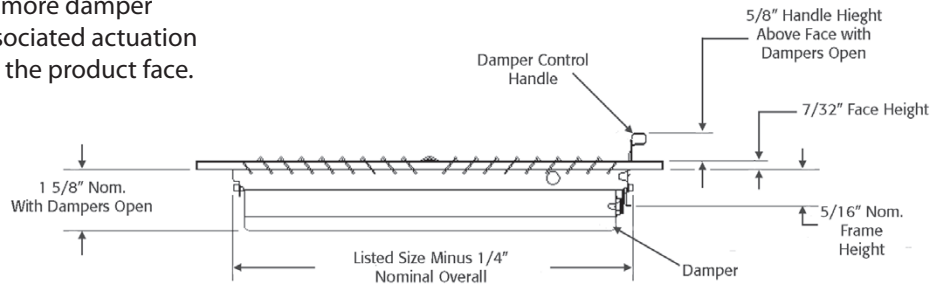


## Dimensional Drawings



### Appearance Note

Larger sizes of this product can require two or more damper boxes, with associated actuation levers through the product face.



## Performance Data, Series 22

Terminal velocity is 75 fpm.

Unit Size (in.)	Overall Size (in.)	Face Velocity	300	400	500	600	700	800	900	1000
		Pressure Loss	.006	.010	.016	.022	.031	.040	.050	.062
6 x 4 Ak .101	7-3/8 x 5-3/8	Cfm	31	42	52	63	73	83	94	104
		Throw	3	4	5	7	8	9	10	11
6 x 6 Ak .160	7-3/8 x 7-3/8	Cfm	48	64	80	96	112	128	144	160
		Throw	5	6	7	9	10	12	13	15
8 x 4 Ak .146	9-3/8 x 5-3/8	Cfm	44	58	73	88	102	117	131	146
		Throw	4	5	7	8	9	11	12	13
8 x 6 Ak .222	9-3/8 x 7-3/8	Cfm	67	89	111	133	156	178	200	222
		Throw	5	7	8	10	12	14	15	17
8 x 8 Ak .306	9-3/8 x 9-3/8	Cfm	92	122	153	184	214	244	275	306
		Throw	6	7	9	11	13	15	17	19
10 x 4 Ak .181	11-3/8 x 5-3/8	Cfm	54	72	90	108	126	144	163	181
		Throw	5	6	8	9	11	12	13	14
10 x 5 Ak .236	11-3/8 x 6-3/8	Cfm	71	94	118	142	165	189	213	236
		Throw	5	7	8	10	12	13	15	17

## Performance Data, Series 22 (continued)

Unit Size (in.)	Overall Size (in.)	Face Velocity	300	400	500	600	700	800	900	1000
		Pressure Loss	.006	.010	.016	.022	.031	.040	.050	.062
10 x 6 Ak .292	11-3/8 x 7-3/8	Cfm	88	88	88	88	88	88	88	88
		Throw	6	8	9	11	13	15	17	19
10 x 8 Ak .396	11-3/8 x 9-3/8	Cfm	119	158	198	238	277	317	356	396
		Throw	7	8	10	12	14	16	17	21
10 x 10 Ak .472	11-3/8 x 11-3/8	Cfm	142	189	236	283	331	379	425	472
		Throw	7	9	12	14	16	18	20	23
12 x 4 Ak = .222	13-3/8 x 5-3/8	Cfm	67	89	111	133	156	178	200	222
		Throw	5	7	8	10	12	14	15	17
12 x 5 Ak .292	13-3/8 x 6-3/8	Cfm	88	117	146	175	204	233	263	292
		Throw	6	7	9	11	13	15	17	19
12 x 6 Ak .354	13-3/8 x 7-3/8	Cfm	106	142	177	213	248	283	319	354
		Throw	7	8	10	12	15	17	19	21
12 x 8 Ak .480	13-3/8 x 9-3/8	Cfm	144	192	240	288	336	383	431	479
		Throw	7	9	11	13	18	17	19	22
12 x 12 Ak .708	13-3/8 x 13-3/8	Cfm	213	283	354	425	496	567	638	708
		Throw	9	11	14	17	20	22	25	29
14 x 4 Ak .264	15-3/8 x 5-3/8	Cfm	79	106	132	158	185	211	238	264
		Throw	5	7	9	11	13	15	17	18
14 x 6 Ak .417	15-3/8 x 7-3/8	Cfm	125	167	208	250	292	333	375	417
		Throw	7	8	11	13	16	18	20	23
14 x 8 Ak .469	15-3/8 x 9-3/8	Cfm	171	228	285	342	399	456	513	569
		Throw	8	9	12	14	17	19	21	24
16 x 6 Ak .479	17-3/8 x 7-3/8	Cfm	144	192	240	288	335	383	431	479
		Throw	7	10	12	15	17	20	22	25
16 x 8 Ak .660	17-3/8 x 9-3/8	Cfm	198	264	330	396	462	528	594	660
		Throw	8	10	13	15	18	20	22	25
18 x 6 Ak .549	19-3/8 x 7-3/8	Cfm	165	219	274	329	384	439	494	549
		Throw	8	11	13	16	19	22	24	27
18 x 8 Ak .743	19-3/8 x 9-3/8	Cfm	223	297	372	446	520	594	669	743
		Throw	9	11	13	16	19	22	25	28
20 x 6 Ak .611	21-3/8 x 7-3/8	Cfm	183	244	306	367	428	489	550	611
		Throw	8	11	14	16	20	23	25	28
20 x 8 Ak .833	21-3/8 x 9-3/8	Cfm	250	333	417	500	583	667	750	833
		Throw	9	12	15	18	21	23	26	29
24 x 6 Ak .736	25-3/8 x 7-3/8	Cfm	221	294	368	442	515	589	663	736
		Throw	9	12	15	18	21	23	26	29
24 x 8 Ak 1.007	25-3/8 x 9-3/8	Cfm	302	403	504	604	705	806	906	1007
		Throw	10	13	17	19	23	25	28	31

Residential  
Sidewall or Ceiling

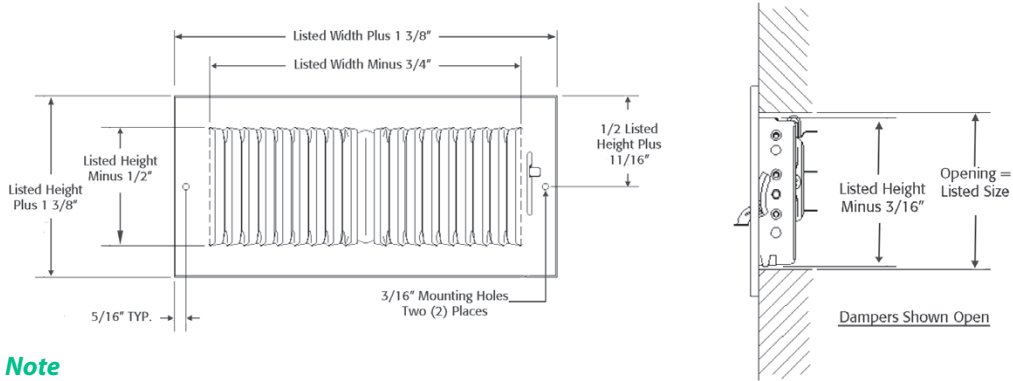
Terminal velocity is 75 fpm.

# Series A22 Aluminum Sidewall/Ceiling Register

- Lanced face
- Multi-shutter damper
- 2-way diffusion
- 1/2" spaced fins
- Aluminum construction
- White finish
- Made in the U.S.A.

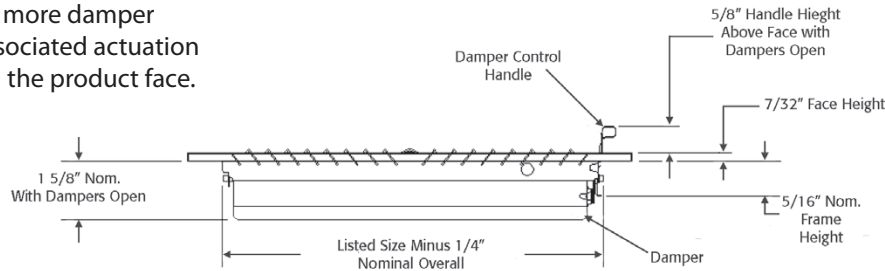


## Dimensional Drawings



### Appearance Note

Larger sizes of this product can require two or more damper boxes, with associated actuation levers through the product face.



## Performance Data, Series A22

Unit Size (in.)	Overall Size (in.)	Face Velocity	300	400	500	600	700	800	900	1000
		Pressure Loss	.006	.010	.016	.022	.031	.040	.050	.062
8 x 4 Ak .146	9-3/8 x 5-3/8	Cfm	44	58	73	88	102	117	131	146
		Throw	4	5	7	8	9	11	12	13
8 x 6 Ak .222	9-3/8 x 7-3/8	Cfm	67	89	111	133	156	178	200	222
		Throw	5	7	8	10	12	14	15	17
10 x 4 Ak .181	11-3/8 x 5-3/8	Cfm	54	72	90	108	126	144	163	181
		Throw	5	6	8	9	11	12	13	14
10 x 6 Ak .292	11-3/8 x 7-3/8	Cfm	88	88	88	88	88	88	88	88
		Throw	6	8	9	11	13	15	17	19
10 x 8 Ak .396	11-3/8 x 9-3/8	Cfm	119	158	198	238	277	317	356	396
		Throw	7	8	10	12	14	16	17	21
12 x 4 Ak = .222	13-3/8 x 5-3/8	Cfm	67	89	111	133	156	178	200	222
		Throw	5	7	8	10	12	14	15	17

## Performance Data, Series A22 (continued)

Unit Size (in.)	Overall Size (in.)	Face Velocity	300	400	500	600	700	800	900	1000
		Pressure Loss	.006	.010	.016	.022	.031	.040	.050	.062
12 x 6 Ak .354	13-3/8 x 7-3/8	Cfm	106	142	177	213	248	283	319	354
		Throw	7	8	10	12	15	17	19	21
14 x 6 Ak .417	15-3/8 x 7-3/8	Cfm	125	167	208	250	292	333	375	417
		Throw	7	8	11	13	16	18	20	23
14 x 8 Ak .469	15-3/8 x 9-3/8	Cfm	171	228	285	342	399	456	513	569
		Throw	8	9	12	14	17	19	21	24

Terminal velocity is 75 fpm.