



6390 Philips Highway
Jacksonville, FL 32216
Phone (904) 737-7144

SPECIFICATION DATA SHEET

MODEL No. 1575

INSULATED REGISTER BOX

Date: 02/07/02 rev. Drawn by: M.D.C.

DIMENSIONAL DATA

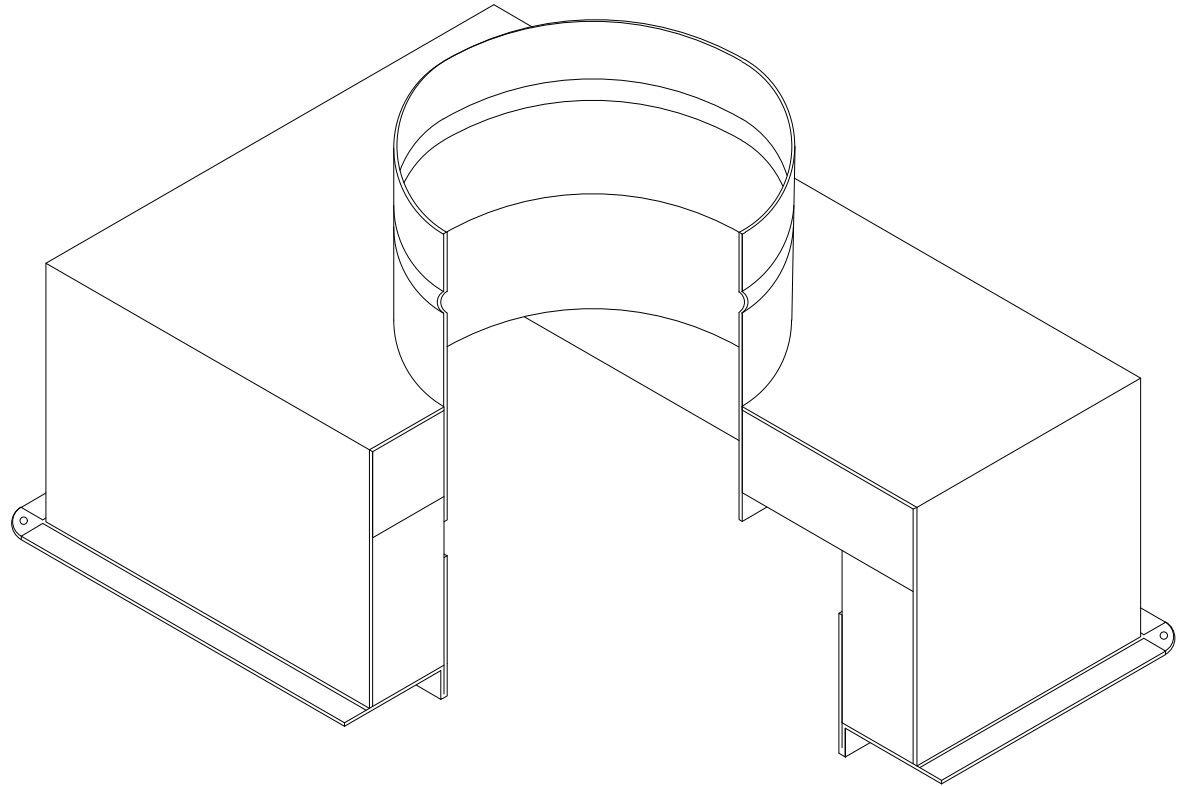
4-1/2" HIGH FRAMED BOX
3" LONG COLLAR WITH CONVEX BEAD
OUTER BOX DIMENSION IS 3" GREATER THAN REGISTER DIMENSION.

FABRICATION DATA

FABRICATED FROM 30 GAUGE GALVANIZED STEEL.
INTERNALLY INSULATED WITH R-6 INSULATION.

FEATURES

NO FIBER GLASS EXPOSED TO AIR STREAM.
SOLID CORNERS WITH HANGER HOLES.
1/2" DRYWALL FLANGE.
5 HOLE CLUSTER FOR REGISTER ATTACHMENT.



OPTIONS

No. 1580 INSULATED REGISTER BOX, R-6
INTERNAL INSULATION, BLACK INTERIOR.

SPECIAL NOTES