



6390 Phillips Highway  
Jacksonville, FL 32216  
Phone (904) 737-7144

**DIMENSIONAL DATA**

OUTSIDE DIMENSION OF BOX = REGISTER SIZE PLUS 3".  
HEIGHT OF BOX = DIAMETER OF THE COLLAR PLUS 5-1/2", MAXIMUM HEIGHT 16"  
COLLAR = 3" LONG.  
RADIATION DAMPER RECESSED 2".  
MINIMUM REGISTER SIZE = 4" X 4".  
MAXIMUM REGISTER SIZE = 16" X 16" (MAXIMUM AREA 256 SQ. IN.)  
MINIMUM COLLAR SIZE = 4" DIAMETER.  
MAXIMUM COLLAR SIZE = 10" DIAMETER.

**FABRICATION DATA**

OUTER BOX: 28 GAUGE GALVANIZED STEEL.  
COLLAR: ROLL FORMED 28 GAUGE GALVANIZED STEEL.  
INTERNAL INSULATION: R-6.0

**FEATURES**

RADIATION DAMPER FEATURES:  
U.L. LISTED LINK (165 DEGREE F. STANDARD).  
BLADES: 22 GAUGE GALVANIZED STEEL.  
CERAMIC FIBER WITH FIBERGLASS COVER.  
  
(CERAMIC INSULATION IS NOT REQUIRED ON DAMPERS WITH AREAS LESS THAN 80 SQUARE INCHES AND IS OPTIONAL. DAMPERS ABOVE 80 SQUARE INCHES WILL BE PROVIDED WITH BLADE INSULATION.)

**OPTIONS**

No. 1575-CRD CEILING RADIATION DAMPER BOX WITH TOP ENTRY.  
AVAILABLE WITH EXTENDED DRYWALL FLANGE FOR DOUBLE LAYER GYPSUM CEILING MATERIALS INSTALLATION.

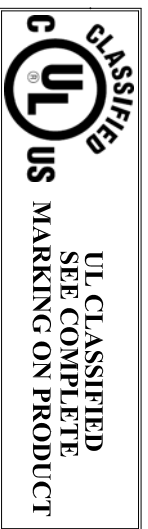
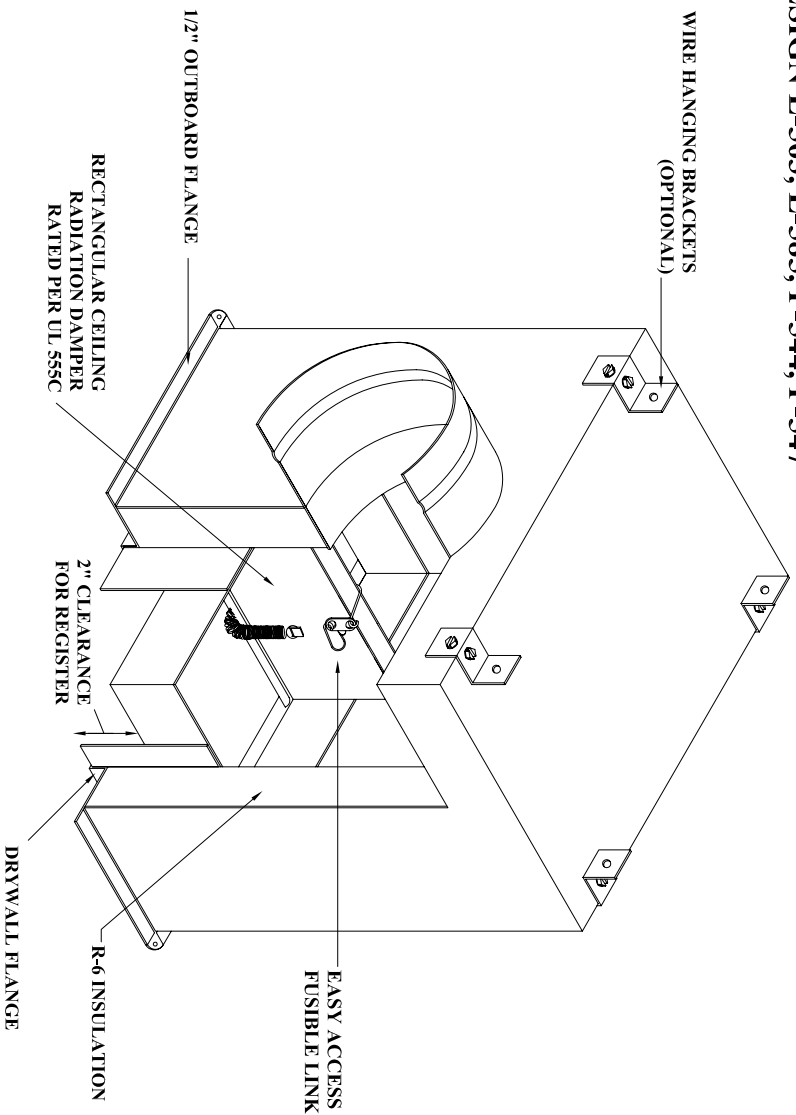
**SPECIFICATION DATA SHEET**

Date: 08/21/07 rev. Drawn by: M.D.C.

1 HOUR RATED CRD/REGISTER/GRILLE ASSEMBLY  
CRD/PLENUM BOX ASSEMBLY FOR FLOOR/CEILING  
AND ROOF/CEILING WOOD TRUSS ASSEMBLIES  
**UL DESIGN L-563, L-585, P-544, P-547**

**MODEL No. 1565-CRD**

CEILING RADIATION DAMPER  
PLENUM / REGISTER BOX ASSEMBLY



**SPECIAL NOTES**

1 HOUR RATED CRD/REGISTER/GRILLE ASSEMBLY WITH CRD/PLENUM BOX ASSEMBLY FOR USE IN FLOOR-CEILING AND ROOF-CEILING WOOD TRUSS CONSTRUCTION OF TYPES L-563, L-585, P-544, P-547  
CROWN MODEL No. 1565-CRD CORRESPONDS TO MODEL CRD 50-BT & CRD 50-EA-BT.  
UL FILE No. R15858



6390 Phillips Highway  
Jacksonville, FL 32216  
Phone (904) 737-7144

**DIMENSIONAL DATA**

OUTSIDE DIMENSION OF BOX = REGISTER SIZE PLUS 3".

HEIGHT OF BOX = 4-1/2"

COLLAR = 3" LONG.

MINIMUM REGISTER SIZE: 4" x 4" - 4" DIAMETER COLLAR.

MAXIMUM REGISTER SIZE: 16" x 16" (MAXIMUM 256 SQ. IN.)

MAXIMUM COLLAR SIZE: 12" DIAMETER

**FABRICATION DATA**

OUTER BOX: 28 GAUGE GALVANIZED STEEL.

COLLAR: ROLL FORMED 28 GAUGE GALVANIZED STEEL.

INTERNAL INSULATION: R-6.0

**FEATURES**

RADIATION DAMPER FEATURES:

U.L. LISTED LINK (165 DEGREE F. STANDARD).

BLADES: 22 GAUGE GALVANIZED STEEL.

CERAMIC FIBER WITH FIBERGLASS COVER.

(CERAMIC INSULATION IS NOT REQUIRED ON DAMPERS WITH AREAS LESS THAN 80 SQUARE INCHES AND IS OPTIONAL. DAMPERS ABOVE 80 SQUARE INCHES WILL BE PROVIDED WITH BLADE INSULATION.)

**OPTIONS**

No. 1565-CRD CEILING RADIATION DAMPER BOX WITH SIDE COLLAR ENTRY.

AVAILABLE WITH EXTENDED DRYWALL FLANGE FOR DOUBLE LAYER GYPSUM CEILING MATERIALS INSTALLATION.

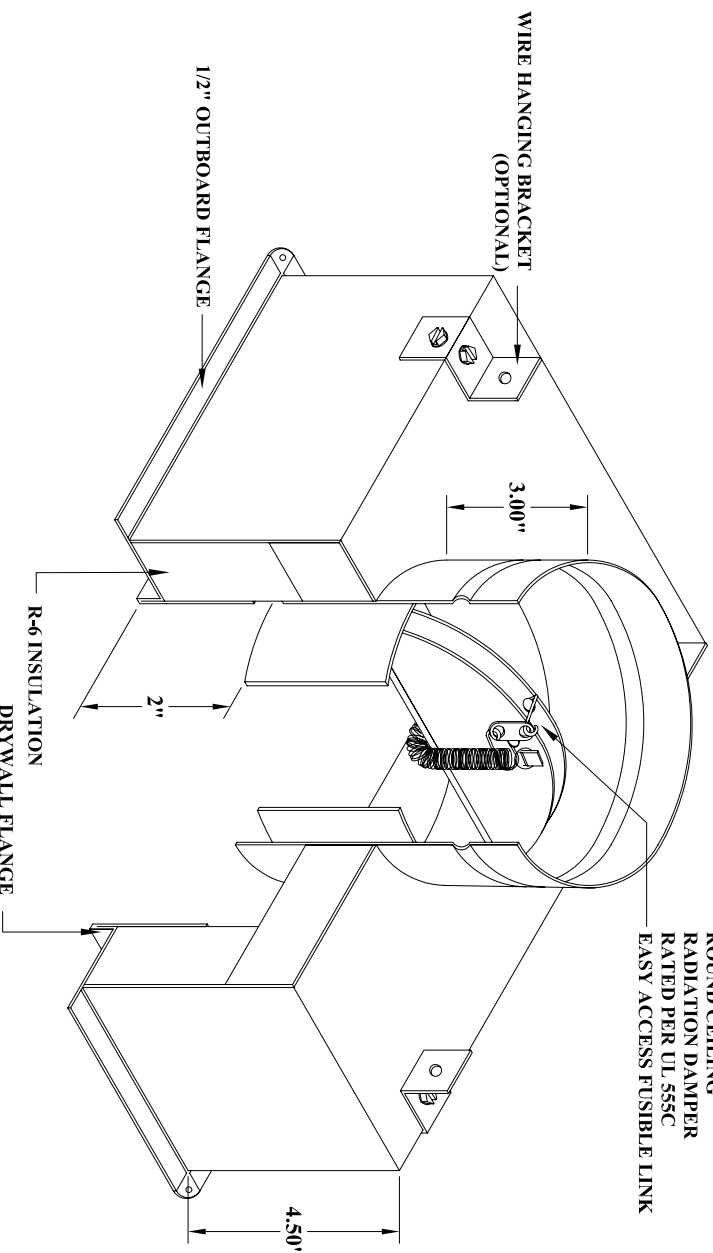
**SPECIFICATION DATA SHEET**

Date: 08/21/07 rev. Drawn by: M.D.C.

**MODEL No. 1575-CRD**

CEILING RADIATION DAMPER  
PLENUM / REGISTER BOX ASSEMBLY

1 HOUR RATED CRD/REGISTER/GRILLE ASSEMBLY  
CRD/REGISTER BOX ASSEMBLY FOR FLOOR/CEILING  
AND ROOF/CEILING WOOD TRUSS ASSEMBLIES  
**UL DESIGN L-563, L-585, P-544, P-547**



**SPECIAL NOTES**

1 HOUR RATED CRD/REGISTER/GRILLE ASSEMBLY WITH CRD/REGISTER BOX ASSEMBLY FOR USE IN FLOOR-CEILING AND ROOF-CEILING WOOD TRUSS CONSTRUCTION OF TYPES L-563, L-585, P-544, L-547

CROWN MODEL No. 1575-CRD CORRESPONDS TO MODEL CRD 55-BT & CRD 55-EA-BT.

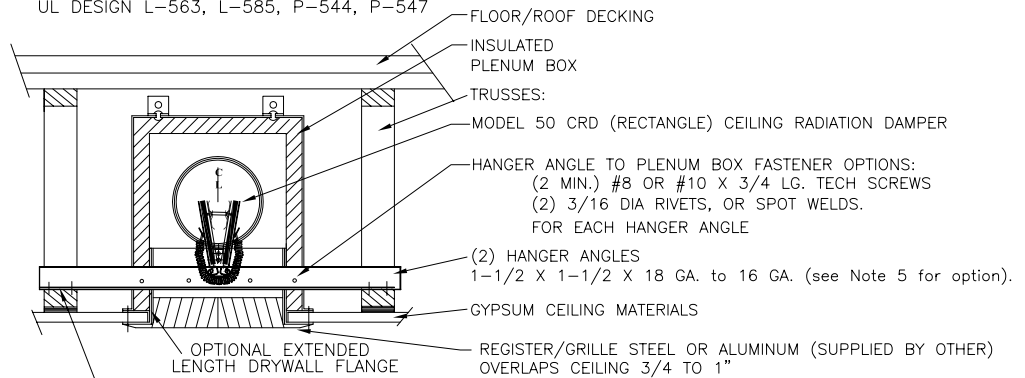
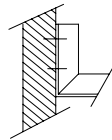
UL FILE No. R15858

**TRUSS/GYPSUM INSTALLATION INSTRUCTIONS**

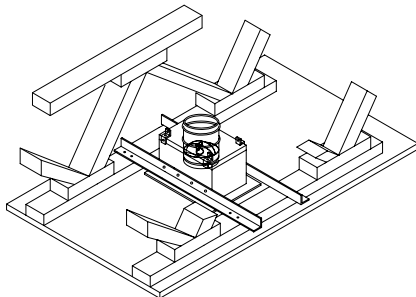
MODEL CRD 50-BT AND CRD 50-EA-BT (90° RECTANGLE CRD/REGISTER BOX ASM.)  
MODEL CRD 55-BT AND CRD 55-EA-BT (STRAIGHT RECTANGLE CRD/REGISTER BOX ASM.)

1 HOUR RATED ASSEMBLIES FOR USE IN  
FLOOR/CEILING, ROOF/CEILING: TRUSS/GYPSUM CONSTRUCTION  
UL DESIGN L-563, L-585, P-544, P-547

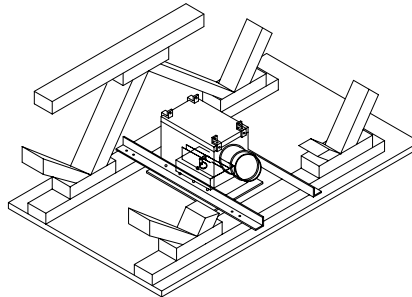
OPTIONAL  
90° FORMED  
ANGLE ENDS  
FOR SIDE  
FASTENING  
IN TRUSSES



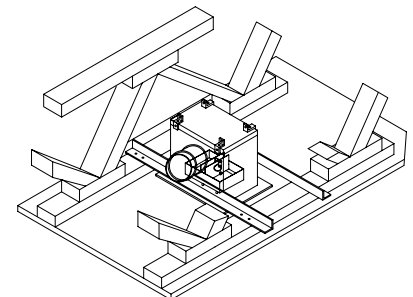
ANGLE TO TRUSS FASTENER OPTIONS:  
#6 COMMON NAILS, OR #8 OR #10 X 1-1/4 SCREWS  
(4) LOCATIONS (2 MIN.) FASTENERS EACH LOCATION



MODEL 55-EA-BT STRAIGHT DUCTING



MODEL 50-EA-BT DUCTED 90° THRU TRUSSES



MODEL 50-EA-BT DUCTED 90° PARALLEL TO TRUSSES

**Notes:**

- Before installing the damper, CRD Model 50-BT (rectangle), and CRD Model 50-EA-BT (rectangle) open the blades and hook the fusible link over the link catch on the opposite blade. Bend down the link catch to secure the link in position. For CRD Model 50-EA-BT flex the spring wire and secure the link.
- Measure the actual truss centers and add approx. 6" to determine straight angle lengths. (2 required per box) When using the optional formed angle allow for adequate flanges at each mounting point and cut and bend the angles on both ends to 90 degrees. or the appropriate angle required.
- Establish the location of the gypsum flange and fasten the (2) hanger angles to the plenum box with (2) minimum #8 x 3/4 sheet metal screws or 3/16 diameter rivets for each hanger angle. spot welding or bolts. Four connections on each angle as a minimum.  
Note: fastener positions must not interfere with the damper blade operation.
- Mounting angles are fastened to trusses, with a minimum of two fasteners for each mounting point using #6 common nails or #8 x 1-1/4" long screws.
- As an alternate to hanger angles, two standard 28 ga. min. steel boot rails may be used by snapping onto sides of damper box flange, boot rails are then fastened to trusses using #6 common nails or #8 or #10 wood screws.
- Steel grille or diffuser to be attached to the duct drop or ceiling damper using No. 8 by 1-1/2 inch long sheet metal screws, minimum 2 places, grill or diffuser to be 24ga (.029) minimum
- Flex duct shall be UL classified Air Duct Class "0" or Class "1"  
Fold back neck flaps of blanket and slip flexible duct over collar of plenum box, replace neck flaps of blanket over duct and fasten duct to collar over blanket, using steel clamp, plastic strap, or minimum 18 gauge steel wire, in accordance with Duct Manufacturers installation instructions..
- As an option the plenum box can be ordered with an extended length drywall flange
- MEETS UL263, NFPA 90A REQUIREMENTS

IMPORTANT:  
FASTENERS MUST NOT INTERFERE WITH THE DAMPER BLADES OPERATION.

