



6390 Phillips Highway
 Jacksonville, FL 32216
 Phone (904) 737-7144

SPECIFICATION DATA SHEET

MODEL No. 310-H

**TAKE OFF COLLAR FOR ROUND PIPE
 WITH THERMA SEAL GASKET FLANGE
 AND PRE-DRILLED HOLES**

Date: 02/08/08

Drawn by: DON.JR.

DIMENSIONAL DATA

DIAMETER	TO FIT PIPE SIZE
4"	8"
5"	8"
6"	10", 12", 14"
7"	10", 12", 14"
8"	10", 12"
9"	10", 12"
10"	12", 14"
12"	12", 14"
14"	14", 16"

FABRICATION DATA

MATERIAL:
 FABRICATED FROM HOT DIPPED GALVANIZED
 STEEL SHEETS PER ASTM-A653 CS TYPE B.

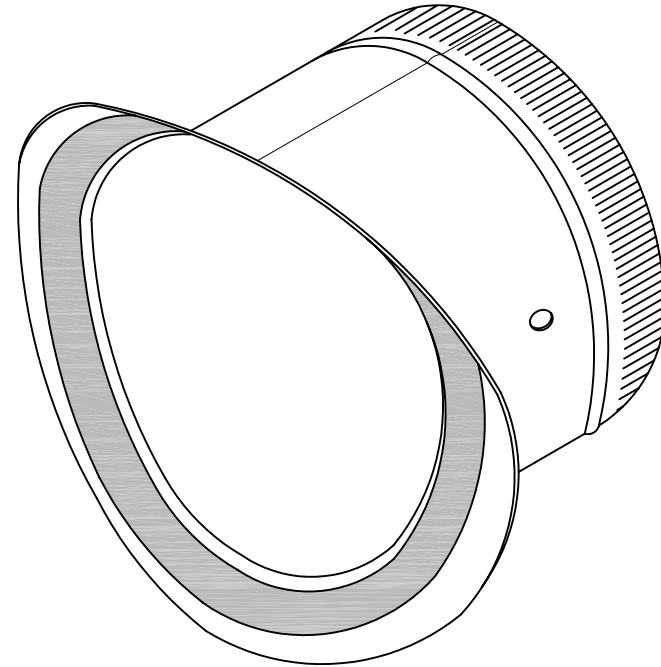
GAUGES:
 4" THROUGH 9" = 30 GAUGE
 10" THROUGH 12" = 28 GAUGE
 14" = 26 GAUGE

FEATURES

CONTOURED FLANGE WITH THERMA
 SEAL GASKET DESIGNED TO MOUNT
 TO ROUND PIPE.

CRIMPED MALE CONNECTION FOR BRANCH DUCT.

PRE-DRILLED HOLES FOR MANUAL VOLUME
 DAMPER.



OPTIONS

No. 312: TAKE OFF FOR PIPE WITH THERMA
 SEAL GASKET AND SCOOP.

No. 314: TAKEOFF FOR PIPE WITH THERMA SEAL
 GASKET AND MANUAL VOLUME DAMPER.

No. 316: TAKEOFF FOR PIPE WITH THERMA SEAL
 GASKET, SCOOP AND MANUAL VOLUME
 DAMPER.

SPECIAL NOTES