



6390 Phillips Highway
 Jacksonville, FL 32216
 Phone (904) 737-7144

SPECIFICATION DATA SHEET

MODEL No. 349-D

SIDEWALL VENT with DAMPER

Date: 12/26/02

Drawn by: DON.JR.

DIMENSIONAL DATA

| PIPE SIZE | DIMENSION | | |
|-----------|-----------|-----|-----|
| | A | B | C |
| 3" | 2-1/2" | 6" | 7" |
| 4" | 2-1/2" | 6" | 7" |
| 5" | 4" | 8" | 9" |
| 6" | 4" | 8" | 9" |
| 7" | 6" | 10" | 11" |
| 8" | 6" | 10" | 11" |
| 9" | 6" | 10" | 11" |
| 10" | 8-1/4" | 13" | 14" |
| 12" | 8-1/4" | 13" | 14" |

COLLAR LENGTH = 5-3/4" (ALL SIZES)

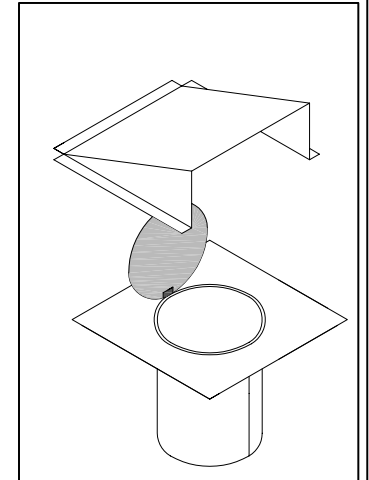
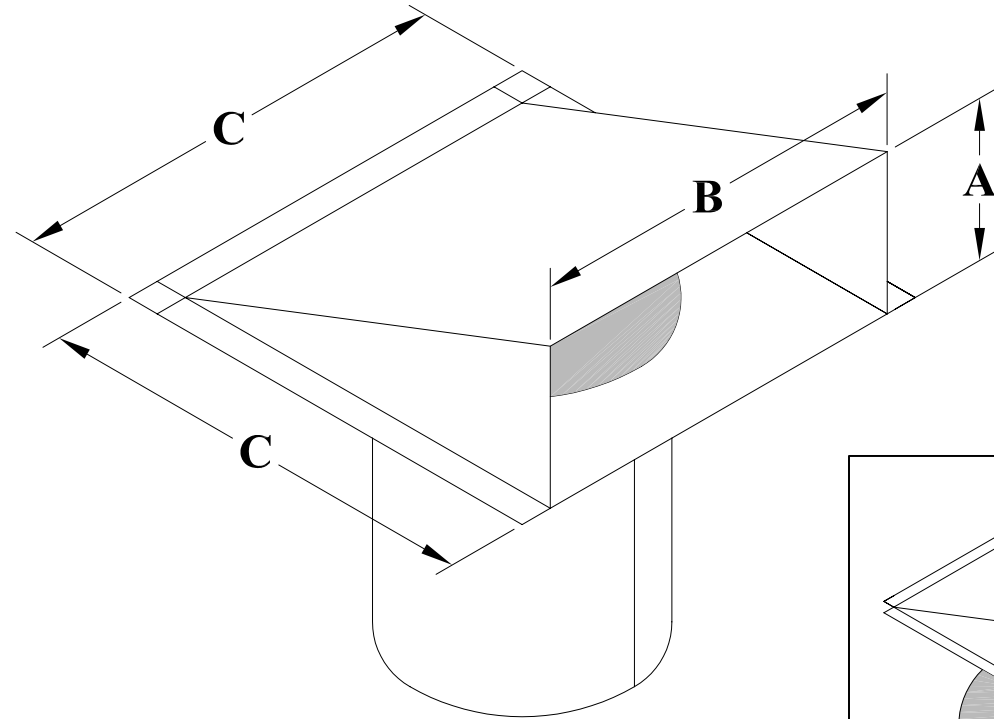
FABRICATION DATA

MATERIAL:
 FABRICATED FROM HOT DIPPED GALVANIZED STEEL SHEETS PER ASTM-A653 CS TYPE B.

GAUGES:
 3" THROUGH 9" = 28 GAUGE
 10" THROUGH 12" = 26 GAUGE

FEATURES

FLAPPER DAMPER INSTALLED.



OPTIONS

No. 349: SIDEWALL VENT WITH "SCREEN".

SPECIAL NOTES