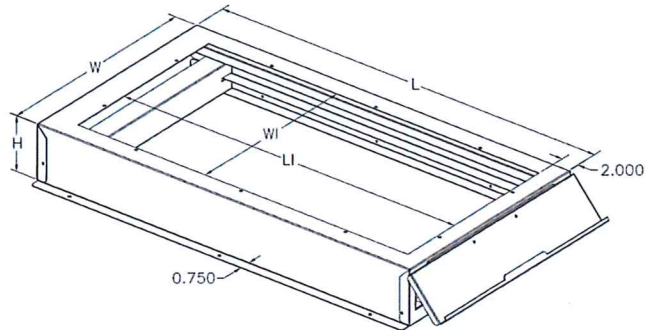




EAFHE1420-3

- Solid cabinet design is spot welded and riveted for sturdiness and long life.
- Tabs have rounded corners.
- Mounting holes are provided for faster installation.
- Individually boxed for convenient shipping and warehousing.



Description

- The *Air-Tite Series* Filter Housings by Electro-Air offer the most well-built, sleek designed and easiest to use galvanized sheet metal filter housings on the market, for residential and light commercial use.
- Allows for easy access to furnace filters—no panels or door to remove.
- Made to fit all electric air handlers through 5 tons.
- Makes a clean and professional installation.
- Uses standard size pleated or panel filters.

Standard Features

- Fully hinged door with magnetic latch and integrated handle provide a tight seal, eliminating air and debris from entering the filter box from surrounding area.
- Removable rails are easy to change to accommodate different filter sizes.
- Heavy 22 gauge galvanized sheet metal has been die cut for smooth edges, allowing for a smooth installation.

AIR-TITE HOUSING - FOR 1" FILTERS

| MODEL | OUTSIDE DIMENSIONS | | | OPENING | | FILTER SIZE |
|--------------|--------------------|---|----|------------------|------------------|-------------|
| | W | H | L | W1 | L1 | |
| EAFHE1420-2 | 15 $\frac{3}{8}$ | 3 | 22 | 12 $\frac{3}{8}$ | 18 $\frac{3}{4}$ | 14 x 20 |
| EAFHE1620-2 | 17 $\frac{3}{8}$ | 3 | 22 | 14 $\frac{3}{8}$ | 18 $\frac{3}{4}$ | 16 x 20 |
| EAFHE2020-2 | 21 $\frac{3}{8}$ | 3 | 22 | 18 $\frac{3}{8}$ | 18 $\frac{3}{4}$ | 20 x 20 |
| EAFHE-2025-2 | 26 $\frac{3}{8}$ | 3 | 22 | 23 $\frac{3}{8}$ | 18 $\frac{3}{4}$ | 20 x 25 |
| EAFHE2025-2N | 21 $\frac{3}{8}$ | 3 | 25 | 18 $\frac{3}{8}$ | 21 $\frac{3}{4}$ | 20 x 25 |

AIR-TITE HOUSING - FOR 1" or 2" FILTERS

| MODEL | OUTSIDE DIMENSIONS | | | OPENING | | FILTER SIZE |
|--------------|--------------------|---|----|------------------|------------------|-------------|
| | W | H | L | W1 | L1 | |
| EAFHE1420-3 | 15 $\frac{3}{8}$ | 4 | 22 | 12 $\frac{3}{8}$ | 18 $\frac{3}{4}$ | 14 x 20 |
| EAFHE1620-3 | 17 $\frac{3}{8}$ | 4 | 22 | 14 $\frac{3}{8}$ | 18 $\frac{3}{4}$ | 16 x 20 |
| EAFHE2020-3 | 21 $\frac{3}{8}$ | 4 | 22 | 18 $\frac{3}{8}$ | 18 $\frac{3}{4}$ | 20 x 20 |
| EAFHE2020-3T | 23 $\frac{1}{2}$ | 4 | 22 | 19 $\frac{3}{4}$ | 18 $\frac{3}{4}$ | 20 x 20 |
| EAFHE2025-3 | 26 $\frac{3}{8}$ | 4 | 22 | 23 $\frac{3}{8}$ | 18 $\frac{3}{4}$ | 20 x 25 |
| EAFHE2025-3N | 21 $\frac{3}{8}$ | 4 | 25 | 18 $\frac{3}{8}$ | 21 $\frac{3}{4}$ | 20 x 25 |

AIR-TITE HOUSING - FOR 1", 2" or 4" FILTERS

| MODEL | OUTSIDE DIMENSIONS | | | OPENING | | FILTER SIZE |
|--------------|--------------------|---|----|------------------|------------------|-------------|
| | W | H | L | W1 | L1 | |
| EAFHE1420-6 | 15 $\frac{3}{8}$ | 6 | 22 | 12 $\frac{3}{8}$ | 18 $\frac{3}{4}$ | 14 x 20 |
| EAFHE1620-6 | 17 $\frac{3}{8}$ | 6 | 22 | 14 $\frac{3}{8}$ | 18 $\frac{3}{4}$ | 16 x 20 |
| EAFHE2020-6 | 21 $\frac{3}{8}$ | 6 | 22 | 18 $\frac{3}{8}$ | 18 $\frac{3}{4}$ | 20 x 20 |
| EAFHE2020-6T | 23 $\frac{1}{2}$ | 6 | 22 | 19 $\frac{3}{4}$ | 18 $\frac{3}{4}$ | 20 x 20 |
| EAFHE2025-6 | 26 $\frac{3}{8}$ | 6 | 22 | 23 $\frac{3}{8}$ | 18 $\frac{3}{4}$ | 20 x 25 |
| EAFHE2025-6N | 21 $\frac{3}{8}$ | 6 | 25 | 18 $\frac{3}{8}$ | 21 $\frac{3}{4}$ | 20 x 25 |