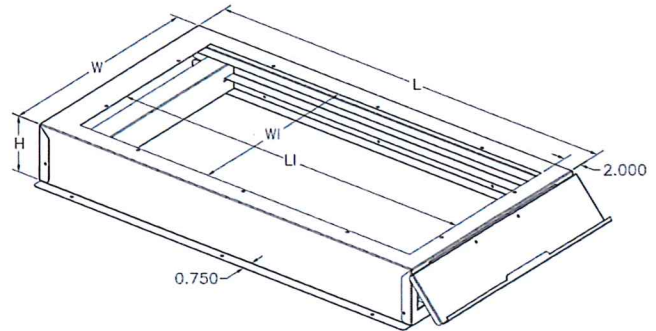




EAFHG1625-3

- Solid cabinet design is spot welded and riveted for sturdiness and long life.
- Tabs have rounded corners.
- Mounting holes are provided for faster installation.
- Individually boxed for convenient shipping and warehousing.



Description

- The **Air-Tite Series** Filter Housings by Electro-Air offer the most well-built, sleek designed and easiest to use galvanized sheet metal filter housings on the market, for residential and light commercial use.
- Allows for easy access to furnace filters—no panels or door to remove.
- Made to fit all gas furnaces through 5 tons.
- Makes a clean and professional installation.
- Uses standard size pleated or panel filters.

Standard Features

- Fully hinged door with magnetic latch and integrated handle provides a tight seal, eliminating air and debris from entering the filter box from surrounding area.
- Removable rails are easy to change to accommodate different filter sizes.
- Heavy 22 gauge galvanized sheet metal has been die cut for smooth edges, allowing for a smooth installation.

AIR-TITE HOUSING - FOR 1" FILTERS

MODEL	OUTSIDE DIMENSIONS			OPENING		FILTER SIZE
	W	H	L	W1	L1	
EAFHG1425-2	15%	3	28½	12%	25¼	14 x 25
EAFHG1625-2	17%	3	28½	14%	25¼	16 x 25
EAFHG2025-2	21%	3	28½	18%	25¼	20 x 25
EAFHG2424-2	25%	3	28½	22%	25¼	24 x 24
EAFHG3025-2	31%	3	28½	28%	25¼	30 x 25

AIR-TITE HOUSING - FOR 1" or 2" FILTERS

MODEL	OUTSIDE DIMENSIONS			OPENING		FILTER SIZE
	W	H	L	W1	L1	
EAFHG1425-3	15%	4	28½	12%	25¼	14 x 25
EAFHG1625-3	17%	4	28½	14%	25¼	16 x 25
EAFHG2025-3	21%	4	28½	18%	25¼	20 x 25
EAFHG2424-3	25%	4	28½	22%	25¼	24 x 24
EAFHG3025-3	31%	4	28½	28%	25¼	30 x 25

AIR-TITE HOUSING - FOR 1", 2" or 4" FILTERS

MODEL	OUTSIDE DIMENSIONS			OPENING		FILTER SIZE
	W	H	L	W1	L1	
EAFHG1425-6	15%	6	28½	12%	25¼	14 x 25
EAFHG1625-6	17%	6	28½	14%	25¼	16 x 25
EAFHG2025-6	21%	6	28½	18%	25¼	20 x 25
EAFHG2424-6	25%	6	28½	22%	25¼	24 x 24
EAFHG3025-6	31%	6	28½	28%	25¼	30 x 25