

BAR EQUIPMENT

EBB, EBD, EBC & EGC – Series

Reference Model : EBD3-BBG



Door lock
Tamper-free, heavy duty door lock provides security options for any situation.

Recessed Door Handle
Our solid door models feature a sleek recessed door handle for a non-obstructive, maximized work space.



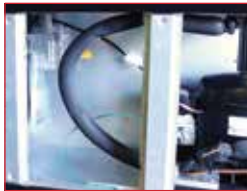
Oversized Fan for Spacious Interior
Space-saving, oversized evaporator fan provides optimal cooling for expansive cabinet interior.



Vacuum Relief U-Trap
U-Trap effectively relieve the cabinet of pressure for smooth and rapid door re-entry.



Slide-Out Condensing Unit^a
Full condensing unit slides out in a few simple steps for easy access during maintenance and repairs.



Condensing Unit Support Pillar
Open style support system reinforces the condensing unit compartment without restricting access for maintenance and repairs.



Detachable Drain Hose
(Only applicable to certain models)
External drain hose is easily detachable for effortless cleaning and maintenance.



Stainless Steel Floor
Stainless steel flooring for easy cleaning.

Beer Draft Tower
NSF approved 3" diameter insulated stainless steel draft arm in single or double faucet variant come with matching air distributor.

Drip Tray
Matching stainless steel drip tray can be removed without the need for tools for hassle-free cleaning.

Chrome-Plated Steel Door Handles
(Only applicable to certain models)
Elegant solid stainless steel door handle perfectly accentuates the product.



LED Lighting
(Only applicable to certain models)
Glass door refrigerators feature brilliant LED lighting that illuminate the cool stainless steel interior and guarantee the best visibility for your products.



Removable Door Gasket
High quality rubber door gasket is easy to detach and attach for effortless cleaning and maintenance.

Double Pane Glass Door
Clear, low emissivity double pane insulated glass door reflects UV rays while providing superior insulation.



Heavy Duty Door Hinge
Thick gauge metal hinge provides a stable base to doors.



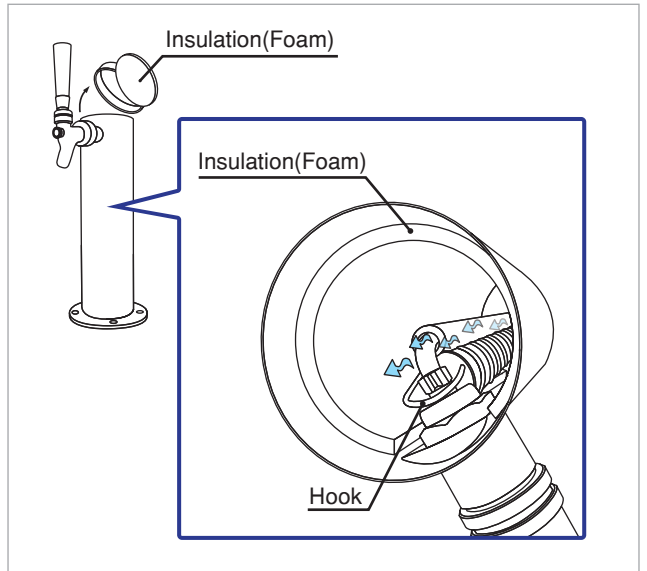
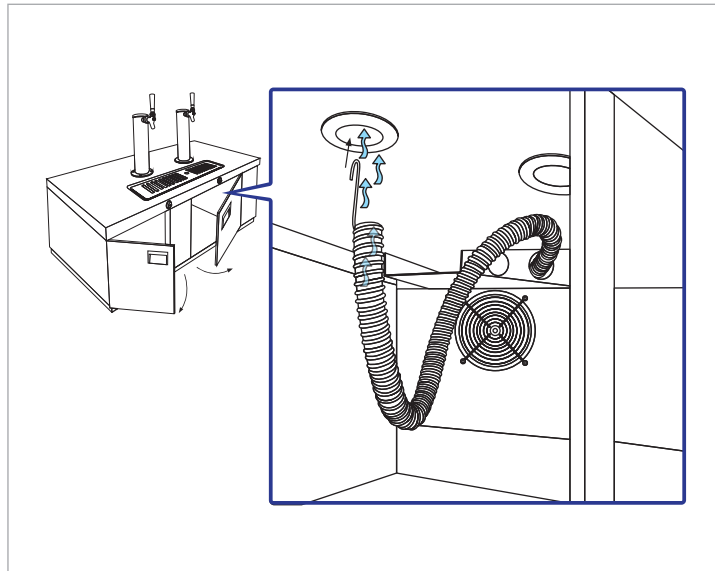
Heavy Duty Door Threshold
Durable, metal door threshold protects door frame when loading and unloading heavy contents in the cabinet.

● Unit Exterior ○ Unit Interior



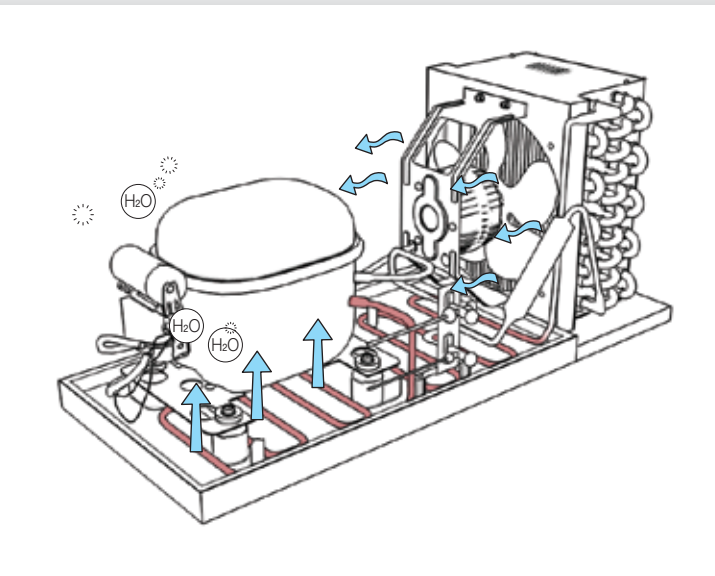
5 YEAR Compressor
3 YEAR Parts & Labor

Beer Draft Tower Installation



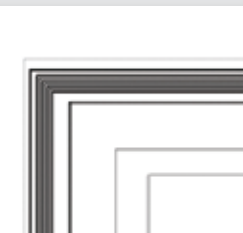
Mounting the stainless steel beer draft tower can be completed in a matter of minutes. The first step is to position the tower so the drain line and screw holes align properly with the pre-cut holes on the worktop. Feed the beer hose through the tower's faucet line. Insert one end of the cold air hose into the pre-cut hole on the air baffle located in the cabinet interior. Remove the beer draft tower cap and feed the hook end of the cold air hose to the retaining nut. (the keg, keg coupler and CO2 regulator assembly are not included with the keg refrigerator)

Triple Function Hot Gas Pipe System^a



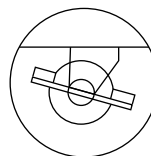
Do more with less energy thanks to the multitasking capabilities of the Triple Function Hot Gas Pipe System. Like its counterpart, it significantly boosts energy efficiency without relying on electrical heaters. The deliberate routing of hot gas through well-placed high pressure pipes removes surplus heat from the condenser coil, cools down the compressor and quickens the evaporation of overflow moisture in the self-contained hot gas pipe assembly. What this means is a symbiotic set up that recycles energy instead of wasting it.

Gasket



The ridge-lined Door Gasket greatly reduces surface suction between the door and the door frame while still maintaining an air tight seal.

Optional Heavy Duty Swivel Casters^b



Sturdy swivel casters or stationary legs in 5" or 3 1/2" (total height) variants.

Specifications subject to change without notice.

Product dimensions are for general purposes and not absolute value. Product capacity is calculated based on standard industry figures. Slight variations may exist. If dimensions and capacity are critical, please contact Everest Refrigeration.