

BACK MOUNT UNDERCOUNTER REFRIGERATORS

Back Mounted Condensing Unit



ETB – Series • ETBR1 • ETBSR2 • ETBR2 • ETBWR2 • ETBR3



▲ ETBR1



▲ ETBSR2



▲ ETBR2



▲ ETBWR2



▲ ETBR3

Cabinet Construction

Heavy duty stainless steel interior and exterior, with galvanized steel finished bottom and back wall of exterior. High quality 16 gauge stainless steel worktop, ABS evaporator drain cover. 2.5" thick high density foamed-in-place polyurethane insulation. Four 4" diameter casters (front casters with brakes). Door heater installed around inside cabinet frame to prevent moisture build-up.

Refrigeration System

- Back mounted condensing unit
- Oversized condenser and evaporator coils quickly achieve and maintain desired temperature
- Forced-air cooling with multiple evaporator fan motors provide balanced airflow throughout cabinet to ensure faster temperature drop
- Slide-out condensing unit for convenient repair and maintenance
- Front air breathing for built-in applications
- Environmentally friendly CFC free R-134A refrigerant
- Air defrost controlled by electrical timer
- Copper tube and aluminum fin evaporator with anti-corrosive coating
- Energy efficient condensate drain pan assembly heated by high side copper tube
- Pressure relief ports for rapid re-entry
- Pre-wired and ready to plug, 115V/60Hz/1Ph, NEMA 5-15P

Doors

- Heavy duty stainless steel interior and exterior
- 2.5" thick foamed-in-place polyurethane insulation
- Rounded corners for a comfortable and hazard-free work space
- Heavy duty adjustable torsion spring self-closing door system
- One piece snap-in magnetic door gaskets for easy replacement
- Heavy duty recessed door handles for a flat surface
- Door locks
- Model available in left hinge upon request (ETBR1)

Shelving

- Two epoxy coated wire shelves per section
- Stainless steel pilasters and shelf clips

Temperature Control

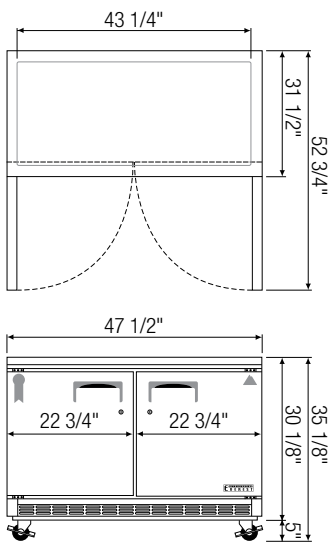
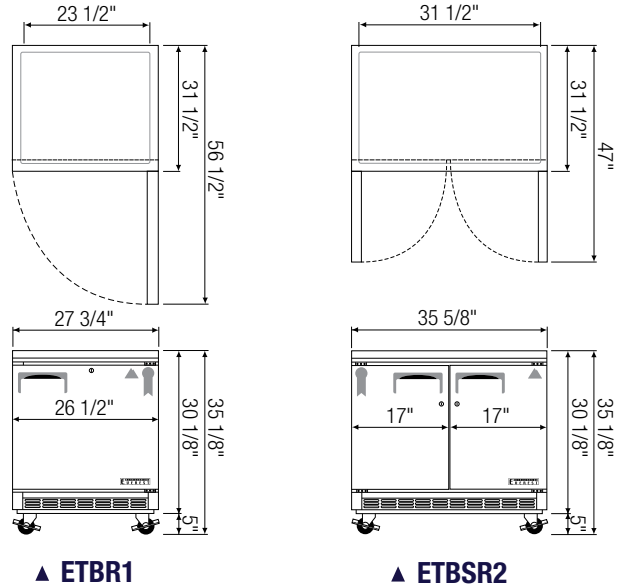
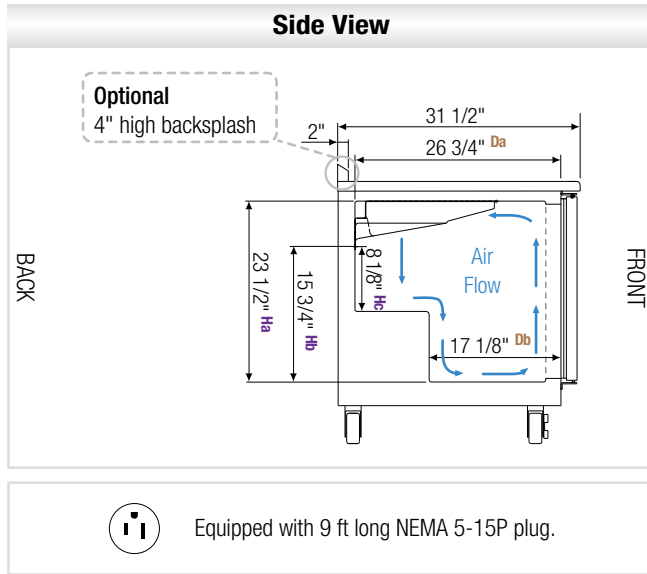
- Factory preset temperature, 35°F
- Temperature setting range from 32°F to 42°F
- Easy to set analog thermostat

Options

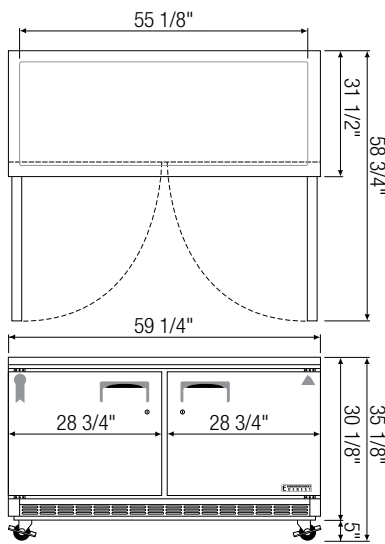
- 4" high stainless steel backsplash for worktop use
- 2 1/2" diameter casters (3 1/2" overall height)



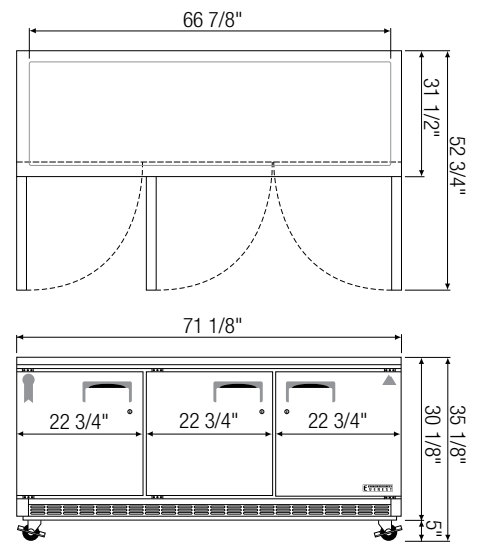
Dimensions



▲ ETBR2



▲ ETBWR2



▲ ETBR3

Model	Ref/ Frz/ Dual	# of Doors	Capacity [†] (Cu.Ft.)	HP	BTU/HR [†]	Refrigerant	# of Shelves	Power (V-Hz-Ph)	Amps	Crated Weight (LBS)	Exterior Dimensions (Inches)		
											L	D	H*
ETBR1	Ref	1	8.55	1/5	1,741	R-134A	2	115-60-1	4.10	181	27 3/4	31 1/2	30 1/8
ETBSR2	Ref	2	11.46	1/5	1,741	R-134A	4	115-60-1	4.40	213	35 5/8	31 1/2	30 1/8
ETBR2	Ref	2	15.73	1/5	1,741	R-134A	4	115-60-1	4.40	256	47 1/2	31 1/2	30 1/8
ETBWR2	Ref	2	20.05	1/4+	2,075	R-134A	4	115-60-1	4.80	311	59 1/4	31 1/2	30 1/8
ETBR3	Ref	3	24.33	1/3	2,555	R-134A	6	115-60-1	5.20	353	71 1/8	31 1/2	30 1/8

* : Height does not include 5" for casters.

† : Based on evaporating temperature of 23°F (-5°C) & condensing temperature of 131°F (55°C).

Da, Db : Interior Depth Ha, Hb, Hc : Interior Height

Ref = Refrigerator

Specifications subject to change without notice.

Product dimensions are for general purposes and not absolute value. Product capacity(†) is calculated based on standard industry figures. Slight variations may exist. If dimensions and capacity are critical, please contact Everest Refrigeration.



Please visit our website for updated Energy Efficiency information.