

# DBF 4XL Duct Booster Fan

Item #: 95901

Variant : 120V 1~ 60Hz



## Description

DBF 4XL is a duct booster fan designed for boosting air on in applications such as extended ductwork, crawlspace ventilation, and dryer exhaust. The product is equipped with a 5 feet cord, pressure-sensing switch that activates the fan once positive pressure is sensed in the duct line. The switch shuts the fan off when the pressure differential falls below the activation level.

- Suitable for 4" ductwork
- Metal leak-proof housing
- Pressure switch, 5 ft cord for 120V/1~
- Duct runs up to 130 linear feet

The DBF 4XL features a galvanized metal housing, pressure-sensing switch and...  
Find more details in our online catalogue

## Technical parameters

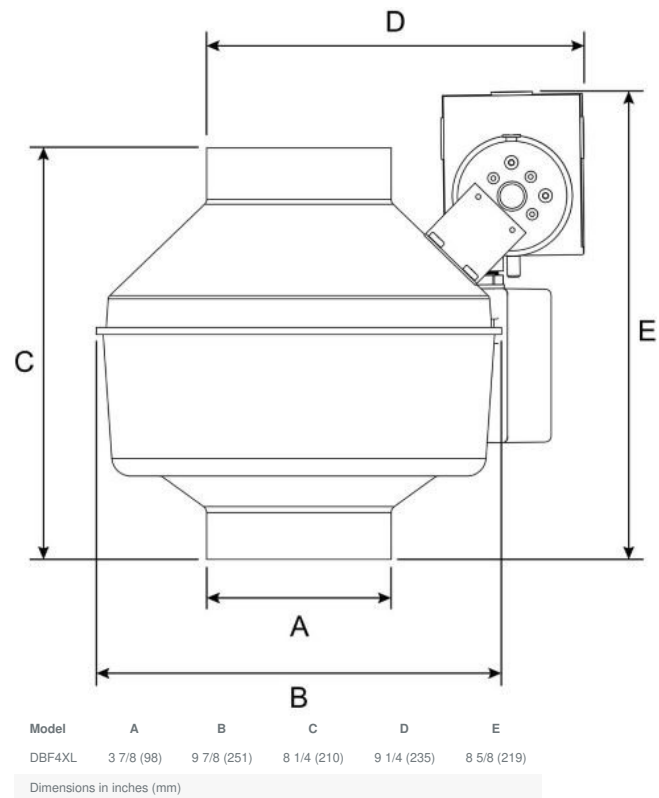
Nominal data	
Voltage (nominal)	120 V
Frequency	60 Hz
Phase(s)	1~
Input power	65 W
Input current	0.54 A
Impeller speed	2,175 r.p.m.
Air flow	max 188 cfm
Temperature of transported air	max 140 °F
Protection/Classification	
Enclosure class, motor	IP44
Insulation class	B
Dimensions and weights	
Duct dimension; Circular, inlet	4 in.
Duct dimension; Circular, outlet	4 in.
Weight	10 lb
Optional	
Duct connection type	Circular

## Performances

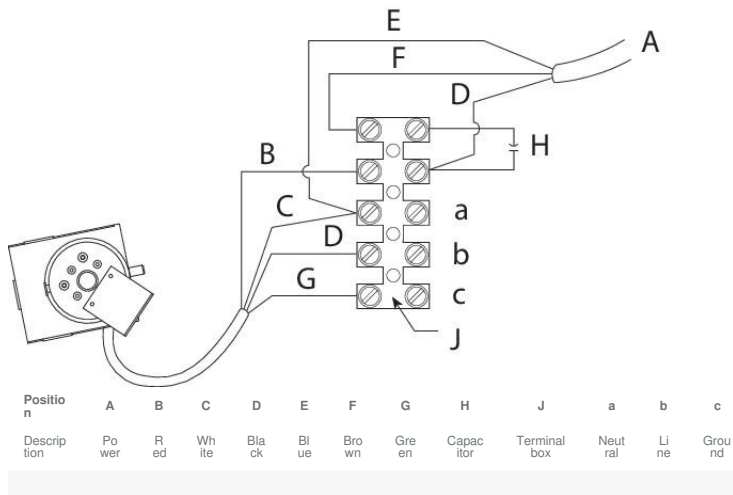
### HVI Certified Rating(s)

Static Pressure (In. Wg.)	Rated Airflow (CFM)	Rated Power (Watts)
0.20"	150	68

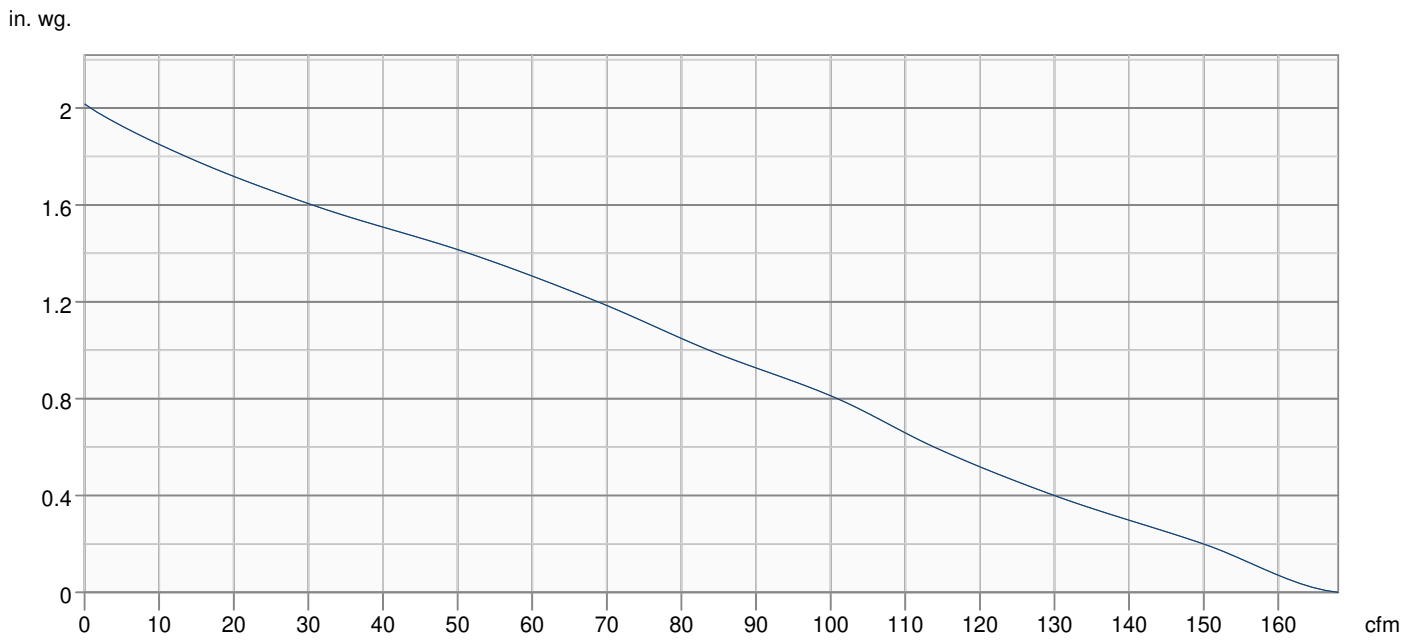
## Dimensions



## Wiring



## Performance curve



### Hydraulic data

Required air flow	-
Required static pressure	-
Working air flow	-
Working static pressure	-
Air density	0.075 lb/ft <sup>3</sup>
Power	-
Fan control - RPM	-
Current	-
Airflow efficiency	-
Control voltage	-
Supply voltage	-

## Accessories

DBLT4W Secd Lint Trap (46000)  
HS 4W External Louver Exhaust (45151)

## Documents

450377 DBF4XL Submittal Sheet EN  
E1939 Ventilation Solutions Laundries  
142000 DBF DB4XL OIPM EN.PDF