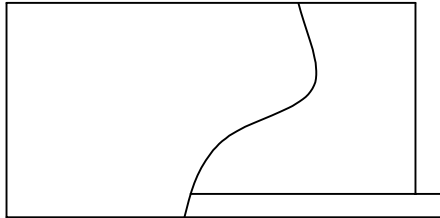
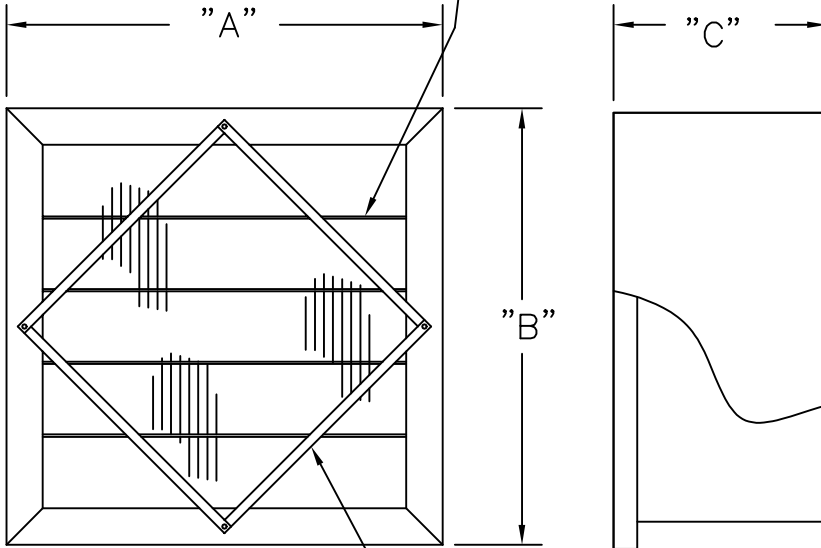


PRP-85 MODEL NUMBER	NOMINAL SIZE	ACTUAL DIMENSION			MEDIA AREA (SQ. FT.)	AIR FLOW CAPACITY (CFM)	INITIAL RES.
		"A"	"B"	"C"			
PRP85*-2406**	12 X 24 X 6	11 3/8"	23 3/8"	5 7/8"	14	600	.84
PRP85*-0006**	20 X 20 X 6	19 3/8"	19 3/8"	5 7/8"	20	840	.84
PRP85*-0406**	20 X 24 X 6	19 3/8"	23 3/8"	5 7/8"	23	995	.84
PRP85*-4406**	24 X 24 X 6	23 3/8"	23 3/8"	5 7/8"	29	1200	.84
PRP85*-2412**	12 X 24 X 12	11 3/8"	23 3/8"	11 1/2"	28	1000	.51
PRP85*-0012**	20 X 20 X 12	19 3/8"	19 3/8"	11 1/2"	39	1400	.51
PRP85*-0412**	20 X 24 X 12	19 3/8"	23 3/8"	11 1/2"	47	1660	.51
PRP85*-4412**	24 X 24 X 12	23 3/8"	23 3/8"	11 1/2"	58	2000	.51



MODEL NO. PRP85 _____ QTY: _____
 MODEL NO. PRP85 _____ QTY: _____
 MODEL NO. PRP85 _____ QTY: _____

PLEAT STABILIZERS
 METAL (CLASS 1) OR PLASTIC (CLASS 2)



* MEDIA MATERIAL:

G=GLASS MICRO-FIBER
 S=SYNTHETIC POLYPROPYLENE

** OPTIONS:

1=CLASS 1 (GLASS ONLY)
 =CLASS 2 (NO CODE)
 GU=GASKET UPSTREAM
 GD=GASKET DOWNSTREAM
 GS=GASKET SIDES
 H=HEADER

EXAMPLE OF MODEL NO.: PRP85G-4412GD

24 GA. ALUMINIZED CROSS SUPPORTS

NOTES:

- MEDIA-MICROFIBER GLASS OR 100% POLYPROPYLENE SYNTHETIC.
- FILTER TO BE RATED AT 80%-85% EFFICIENT IN ACCORDANCE WITH ASHRAE STANDARD 52.1.
- FRAME 24 GA. ALUMINIZED METAL
- PLEAT STABILIZERS - PLASTIC OR METAL CONSTRUCTION.
- CLASSIFIED AS CLASS 1 GLASS MEDIA ONLY. CLASS 2 IN EITHER GLASS OR SYNTHETIC MEDIA.

CUSTOMER _____	
CUSTOMER ORDER NO. _____	
FLANDERS ORDER NO. _____	
TITLE: FLANDERS RIGID AIR 80-85%	
Flanders FLANDERS PRECISIONAIRE	DRAWING NO. RIGIDAIR80-85% REV. _____