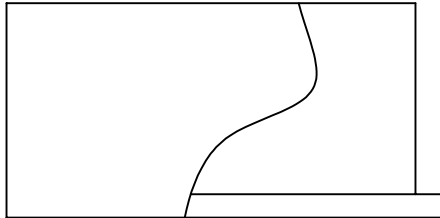
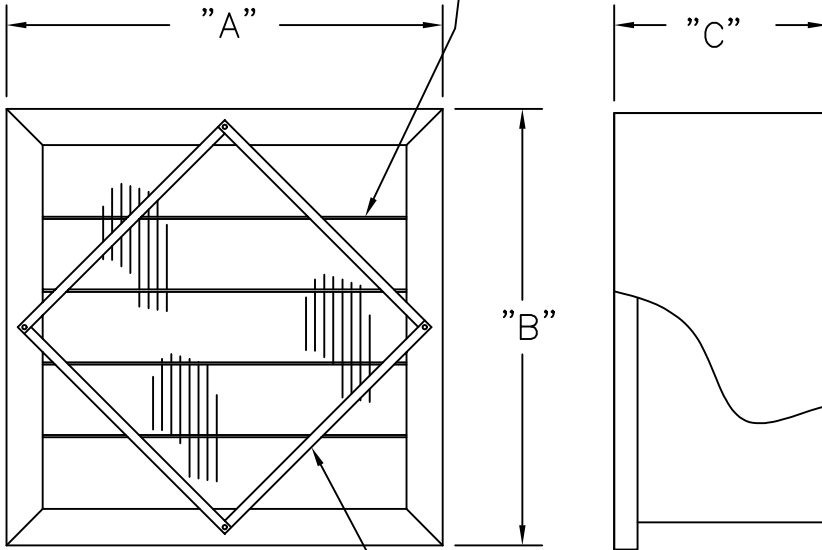


| PRP-95<br>MODEL NUMBER | NOMINAL<br>SIZE | ACTUAL DIMENSION |         |         | MEDIA<br>AREA<br>(SQ. FT.) | AIR FLOW<br>CAPACITY<br>(CFM) | INITIAL<br>RES. |
|------------------------|-----------------|------------------|---------|---------|----------------------------|-------------------------------|-----------------|
|                        |                 | "A"              | "B"     | "C"     |                            |                               |                 |
| PRP95*-2406**          | 12 X 24 X 6     | 11 3/8"          | 23 3/8" | 5 7/8"  | 14                         | 600                           | 1.0             |
| PRP95*-0006**          | 20 X 20 X 6     | 19 3/8"          | 19 3/8" | 5 7/8"  | 20                         | 840                           | 1.0             |
| PRP95*-0406**          | 20 X 24 X 6     | 19 3/8"          | 23 3/8" | 5 7/8"  | 23                         | 995                           | 1.0             |
| PRP95*-4406**          | 24 X 24 X 6     | 23 3/8"          | 23 3/8" | 5 7/8"  | 29                         | 1200                          | 1.0             |
| PRP95*-2412**          | 12 X 24 X 12    | 11 3/8"          | 23 3/8" | 11 1/2" | 28                         | 1000                          | .66             |
| PRP95*-0012**          | 20 X 20 X 12    | 19 3/8"          | 19 3/8" | 11 1/2" | 39                         | 1400                          | .66             |
| PRP95*-0412**          | 20 X 24 X 12    | 19 3/8"          | 23 3/8" | 11 1/2" | 47                         | 1660                          | .66             |
| PRP95*-4412**          | 24 X 24 X 12    | 23 3/8"          | 23 3/8" | 11 1/2" | 58                         | 2000                          | .66             |



MODEL NO. PRP95 \_\_\_\_\_ QTY: \_\_\_\_\_  
 MODEL NO. PRP95 \_\_\_\_\_ QTY: \_\_\_\_\_  
 MODEL NO. PRP95 \_\_\_\_\_ QTY: \_\_\_\_\_

PLEAT STABILIZERS  
 METAL (CLASS 1) OR PLASTIC (CLASS 2)



\* MEDIA MATERIAL:

G=GLASS MICRO-FIBER  
 S=SYNTHETIC POLYPROPYLENE

\*\* OPTIONS:

1=CLASS 1 (GLASS ONLY)  
 =CLASS 2 (NO CODE)  
 GU=GASKET UPSTREAM  
 GD=GASKET DOWNSTREAM  
 GS=GASKET SIDES  
 H=HEADER

EXAMPLE OF MODEL NO. : PRP95G-4412GD

24 GA. ALUMINIZED CROSS SUPPORTS

NOTES:

- MEDIA-MICROFIBER GLASS OR 100% POLYPROPYLENE SYNTHETIC.
- FILTER TO BE RATED AT 90%-95% EFFICIENT IN ACCORDANCE WITH ASHRAE STANDARD 52.1.
- FRAME 24 GA. ALUMINIZED METAL
- PLEAT STABILIZERS - PLASTIC OR METAL CONSTRUCTION.
- CLASSIFIED AS CLASS 1 GLASS MEDIA ONLY. CLASS 2 IN EITHER GLASS OR SYNTHETIC MEDIA.

|  |                |             |      |                |       |
|--|----------------|-------------|------|----------------|-------|
| CUSTOMER _____   |                |             |      |                |       |
| CUSTOMER ORDER NO. _____   |                |             |      |                |       |
| FLANDERS ORDER NO. _____   |                |             |      |                |       |
| TITLE: FLANDERS RIGID AIR 90-95%   |                |             |      |                |       |
| <table border="1"> <tr> <td rowspan="2"> </td> <td>DRAWING NO.</td> <td>REV.</td> </tr> <tr> <td>RIGIDAIR90-95%</td> <td>_____</td> </tr> </table> |                | DRAWING NO. | REV. | RIGIDAIR90-95% | _____ |
|  |                | DRAWING NO. | REV. |                |       |
|  | RIGIDAIR90-95% | _____       |      |                |       |