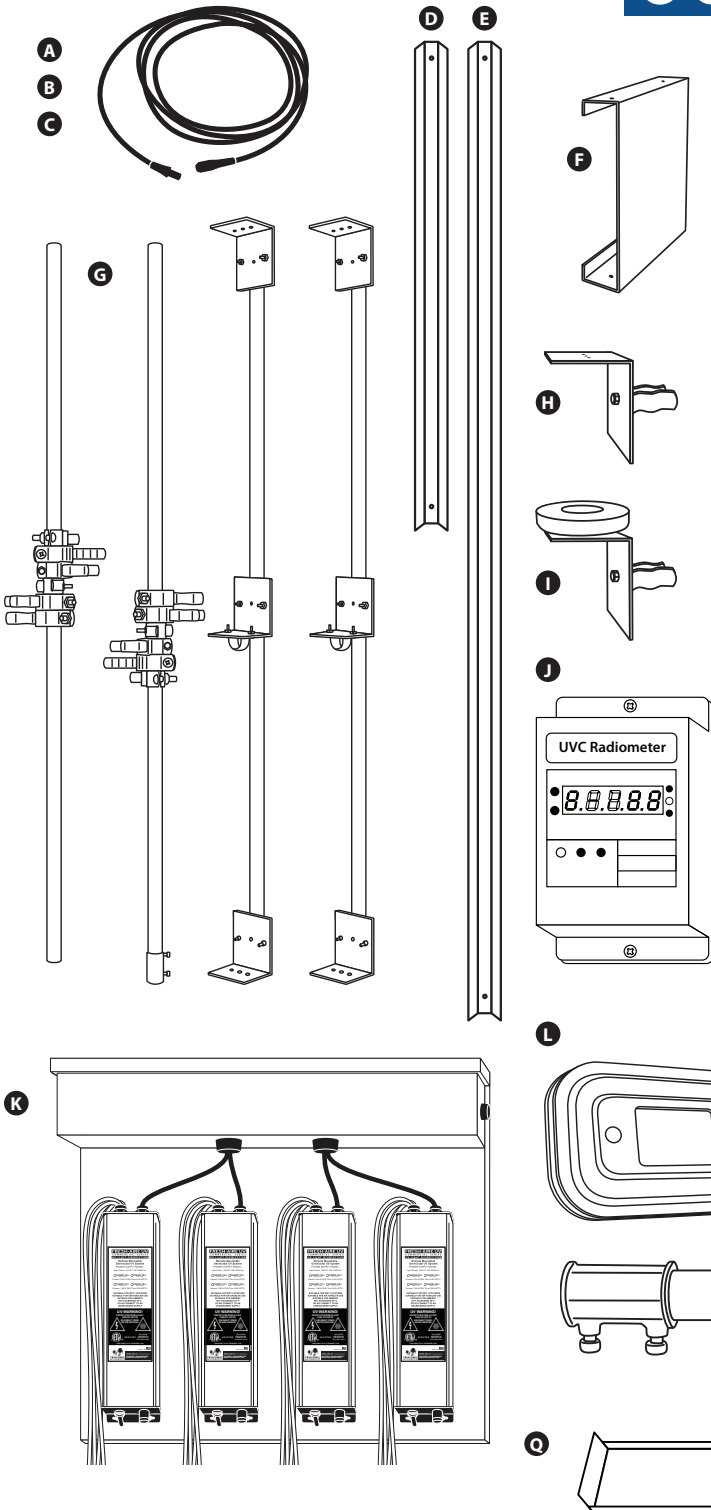


# FRESH-AIRE UV<sup>®</sup> COMMERCIAL SERIES

## Accessories

	PART NUMBER	FRESH-AIRE UV PRODUCT
<b>A</b>	TUV-CBL5	5 foot remote mounting cable
<b>B</b>	TUV-CBL10	10 foot remote mounting cable
<b>C</b>	TUV-CBL20	20 foot remote mounting cable
<b>D</b>	TUVC-SHIELD-32	Lamp Shield 32"
<b>E</b>	TUVC-SHIELD-60	Lamp Shield 60"
<b>F</b>	TUVC-MODCPL	Modular Rack Coupler
<b>G</b>	TUVC-DMR-Kit	Duct Mount kit (used when ordered w/ TRS kit)
<b>H</b>	TUVC-LBRKT	L-Bracket
<b>I</b>	TUVC-LBRKTMG	L-Bracket w/ Magnet mount kit
<b>J</b>	TUVC-MNTR	UVC- Monitor Kit
<b>K</b>	TUVC-P	Factory wired power supply panel kit w/ surge suppressor
<b>L</b>	TUVC-VP-D	Large Commercial Viewport
<b>M</b>	TUVC-VS	Vertical Support for TRS kit
<b>N</b>	TUVC-STR1/2	Strain Relief fitting - 1/2"
<b>O</b>	TUVC-STR3/4	Strain Relief fitting - 3/4"
<b>P</b>	TUVC-STR1	Strain Relief Fitting - 1"
<b>Q</b>	TUVC-CMBRKT	12" Coil Mount Bracket
<b>R</b>	TUVC-INTLCK	Door Interlock Switch Kit



Manufactured by Triatomic Environmental, Inc.

[WWW.FRESH-AIREUV.COM](http://WWW.FRESH-AIREUV.COM)

[sales@freshaireuv.com](mailto:sales@freshaireuv.com)

