





SUBMITTAL DATA

3VIR09HP230V1AH / 3VIR09HP230V1BO
9000 BTU/H Wall Mounted Heat Pump System

Job Name		Location	Date
Purchaser		Engineer	
Submitted to		For	
Unit Designation		Schedule No.	
			
YAP1F7F	3VIR09HP230V1AH	3VIR09HP230V1BO	XE71 (Optional)

GENERAL FEATURES

- AHRI Certificate: [210278967](#)
- High Efficiency DC Inverter Technology
- Compact and Quiet Design
- Auto-Clean Function on Indoor Unit
- Wireless Remote with LCD Display
- Wired Controller Options
- Wi-Fi Included (Factory Installed)
- Low Ambient Cooling down to -20°F (Range -20°F to 122°F)
- Low Ambient Heating down to -22°F (Range -22°F to 86°F)
- Coil (Indoor and Outdoor) Copper Tube / Aluminum Fin
- Blue Colored Fin - 500 Hrs Salt Spray Tested

SPECIFICATIONS, FEATURES & FUNCTION SUMMARY

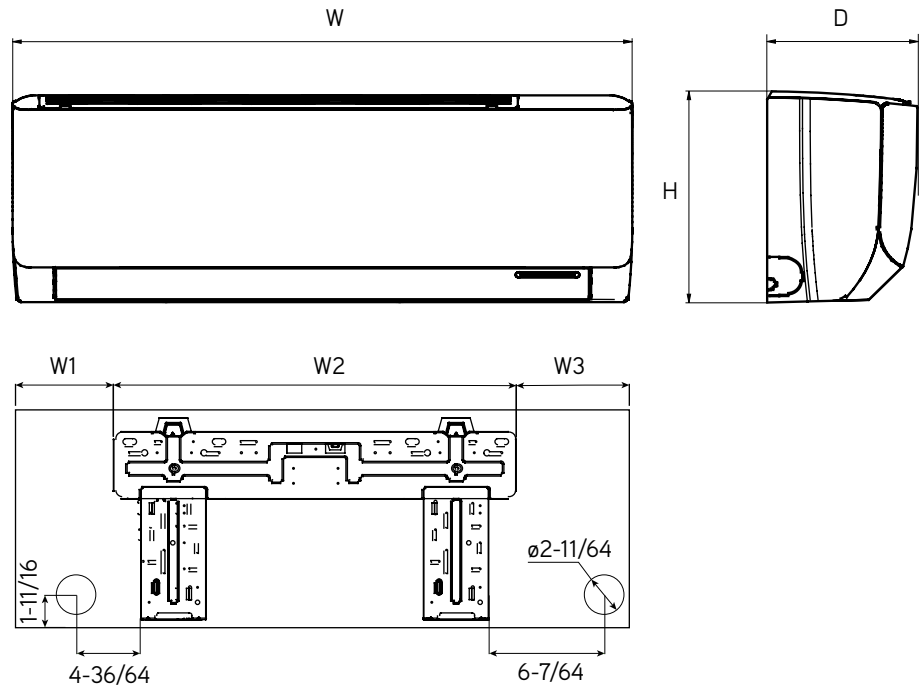
SPECIFICATIONS		3VIR09HP230V1AH / 3VIR09HP230V1BO		FEATURES & FUNCTIONS SUMMARY		3VIR09HP230V1AH / 3VIR09HP230V1BO	
System Type		HEAT PUMP					
SYSTEM PERFORMANCE							
Cooling	Min - Max	Btu/h	1535 - 10747				
	Capacity @95°F	Btu/h	9100				
Heating	Min - Max	Btu/h	3412 - 14672				
	Capacity @5°F	Btu/h	9100				
	Capacity @17°F	Btu/h	7000				
	Capacity @47°F	W	10500				
SEER2		25.5					
EER2		14.7					
HSPF2		10.2					
COP @5°F		1.9					
COP @47°F		3.9					
Cooling Temperature Range		°F	-20 - 122				
Heating Temperature Range		°F	-22 - 86				
Refrigerant Type		R410A					
INDOOR UNIT				3VIR09HP230V1AH			
Air flow (Min-Max)		CFM	159 - 353				
Sound Pressure Level (Min - Max)		dB(A)	25 - 40				
Dehumidification		pt/hr	1.69				
External Dimensions (WxHxD)		in	32-1/2 × 11-9/16 × 7-3/4				
Package Dimension (W x H x D)		in	34-7/16 × 14-3/8 × 10-9/16				
Net Weight		lbs	20.9				
Gross Weight		lbs	25.4				
OUTDOOR UNIT				3VIR09HP230V1BO			
Compressor Type		GREE G-10 / 2 - STAGE INVERTER					
Sound Pressure Level		dB(A)	52				
External Dimensions (WxHxD)		in	31-5/8 × 21-7/8 × 13-13/16				
Package Dimension (W x H x D)		in	34-3/8 × 24-7/16 × 15-11/16				
Net Weight		lbs	70.6				
Gross Weight		lbs	76.1				
REFRIGERANT PIPING							
Refrigerant Charge - R410A		oz	35.3				
Additional Charge		oz/ft	0.2				
Line Set Size (Liquid - Gas) - Flared Connections		in	1/4 - 3/8				
Pre-Charge Length		ft	25				
Pipe Length (Min - Max)		ft	10 - 49				
Max. Pipe Elevation		ft	33				
ELECTRICAL							
Power Supply		208-230V / 1Ph / 60Hz (Powered by the Outdoor Unit)					
Voltage Range (Min - Max)		VAC	187 - 253				
Rated Current - Cooling		A	4.7				
Rated Current - Heating		A	6				
MCA		A	10				
MOCP		A	15				
Suggested Breaker Size		A	10				
Main Power Wire Size		AWG	Per Local Code				
Interconnecting Wire Size		AWG	14 / 4				
SYSTEM FEATURES							
Inverter Type		G10					
Ultra Low Frequency Torque Control		Yes					
Power Factor Correction		Yes					
Compressor Type - Inverter		High Efficiency Rotary					
Basepan With Electric Heater		Yes					
Indoor & Outdoor Fin Coating (Blue Fin)		Yes					
Intelligent Defrosting		Yes					
Intelligent Preheating		Yes					
Low Voltage Startup		Yes					
Memory/Power Failure Recovery		Yes					
Self Diagnosis		Yes					
Wired Controller Interface (XE71 or XK76 optional)		Yes					
WiFi Included		Yes					
NEW! Easy Service Access		Yes					
Indoor Fan Type		Crossflow					
Multi Fan Speeds		7 Speeds					
Indoor Unit Display		Yes					
Auxiliary Electrical Heater		No					
Ventilation (Outdoor Air)		No					
REMOTE CONTROLLER FUNCTIONS							
NEW! Auto Clean		Yes					
Auto Mode		Yes					
Auto Fan		Yes					
Auto Swing (Horizontal Auto Swing)		Yes					
Auto Swing - 180° (Vertical Auto Swing)		Yes					
Clock		Yes					
Dry Mode		Yes					
Dry Anti-Mildew (X-Fan) Mode		Yes					
Energy Saving Mode		Yes					
Dirty Filter Alert		No					
Fan Speed Control (7 Speeds)		Yes					
I Feel Function		Yes					
Privacy Lock		Yes					
Quiet Mode		Yes					
Room Temperature Display		No					
Sleep Mode		Yes					
3 Sleep Mode Options		Yes					
Timer Mode		Yes					
Turbo Mode		Yes					
Display On/Off Control		Yes					
Freeze Guard Mode		Yes					
Power Failure Mode		Yes					

DIMENSIONS

INDOOR UNIT

Unit: inch

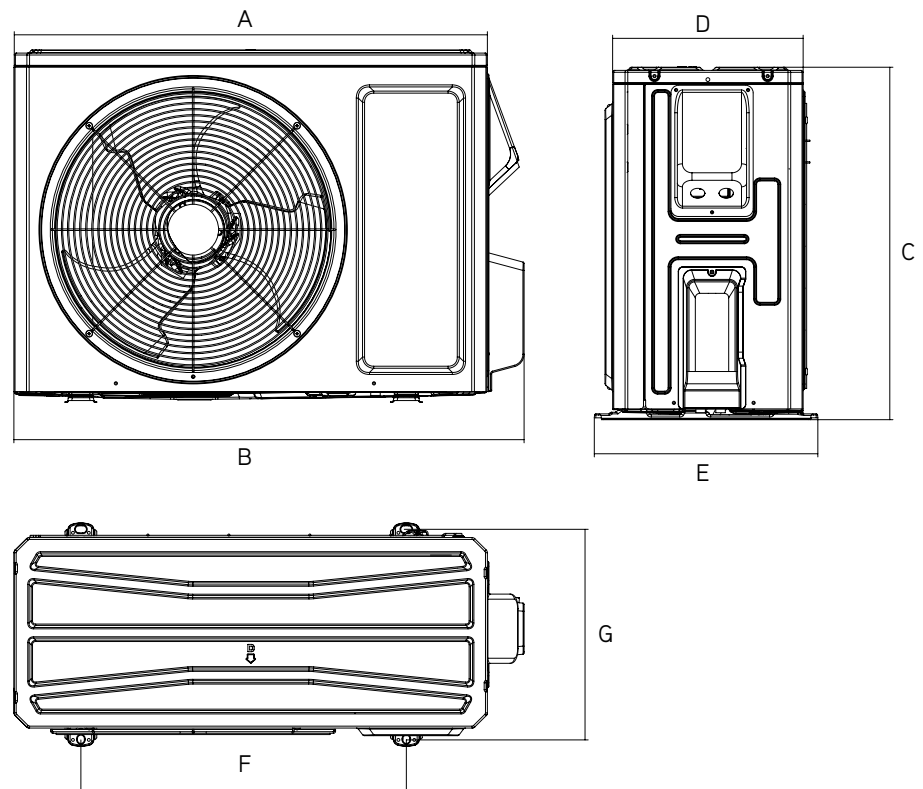
3VIR09HP230V1AH	
DIMENSIONS	
W	32-1/2
H	11-9/16
D	7-3/4
W1	4-29/64
W2	21-11/32
W3	6-11/16



OUTDOOR UNIT

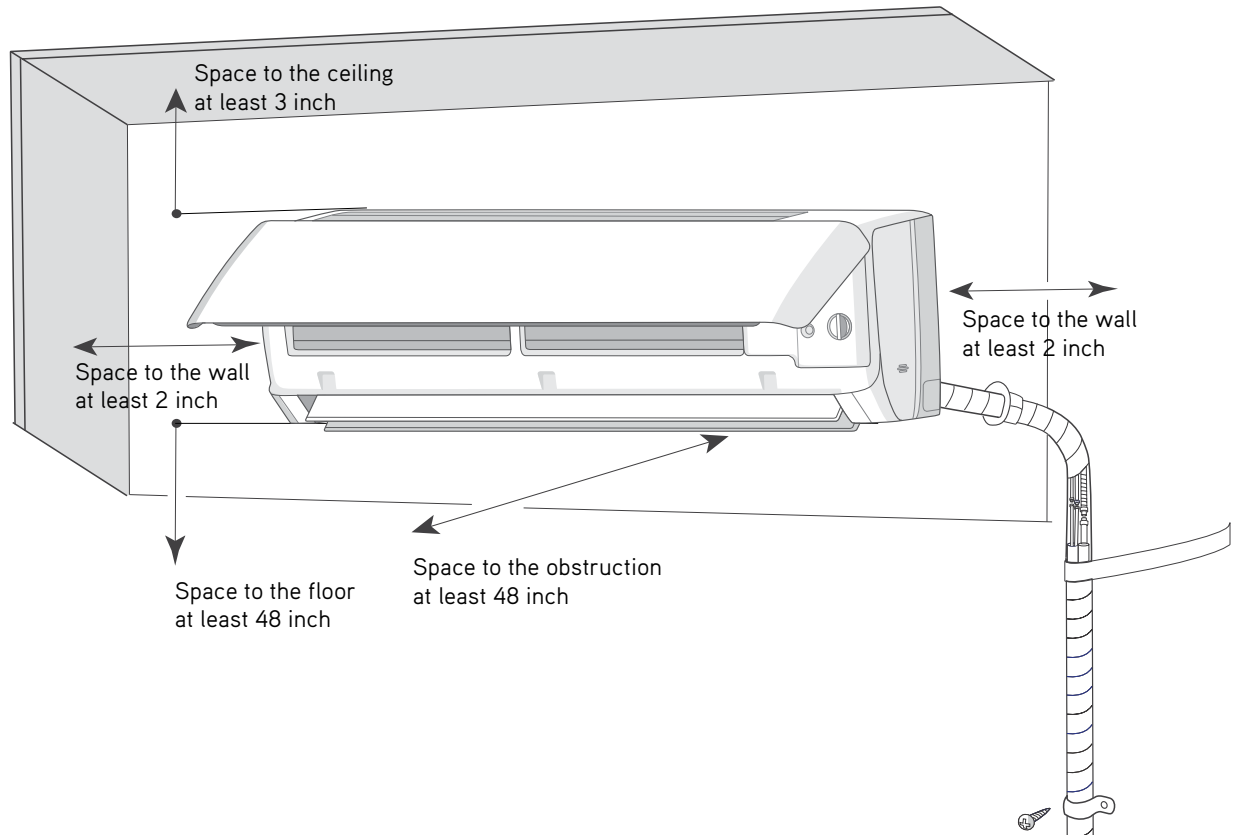
Unit: inch

3VIR09HP230V1BO	
DIMENSIONS	
A	29-21/64
B	31-5/8
C	21-7/8
D	11-13/16
E	13-13/16
F	20-5/32
G	13-5/64



CLEARANCES

INDOOR UNIT Minimum clearance



OUTDOOR UNIT Minimum clearance

Diagram illustrating the mounting bracket for the outdoor unit, showing a 1-inch clearance from the wall.

NOTE:
If bottom of the unit is free of airflow obstructions similar to the mounting bracket figure, the clearance to the wall on the back can be reduced to 3 inches.

