





## SUBMITTAL DATA

3VIR24HP230V1AH / 3VIR24HP230V1BO  
24000 BTU/H Wall Mounted Heat Pump System

Job Name		Location	Date
Purchaser		Engineer	
Submitted to		For	
Unit Designation		Schedule No.	
			
YAP1F7F	3VIR24HP230V1AH	3VIR24VHP230V1BO	XE71 (Optional)

### GENERAL FEATURES

- AHRI Certificate: [210278968](#)
- High Efficiency DC Inverter Technology
- Compact and Quiet Design
- Auto-Clean Function on Indoor Unit
- Wireless Remote with LCD Display
- Wired Controller Options
- Wi-Fi Included (Factory Installed)
- Low Ambient Cooling down to -20°F (Range -20°F to 122°F)
- Low Ambient Heating down to -22°F (Range -22°F to 86°F)
- Coil (Indoor and Outdoor) Copper Tube / Aluminum Fin
- Blue Colored Fin - 500 Hrs Salt Spray Tested

## SPECIFICATIONS, FEATURES & FUNCTION SUMMARY

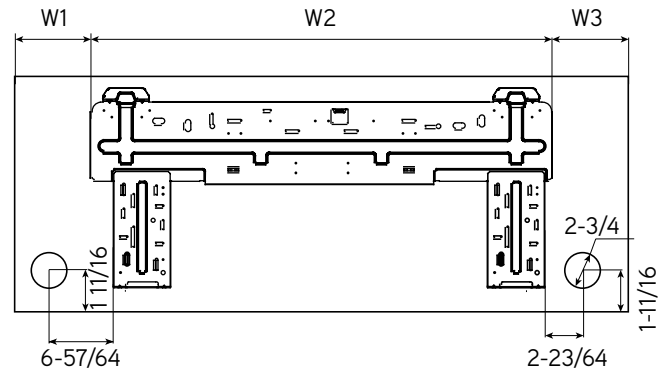
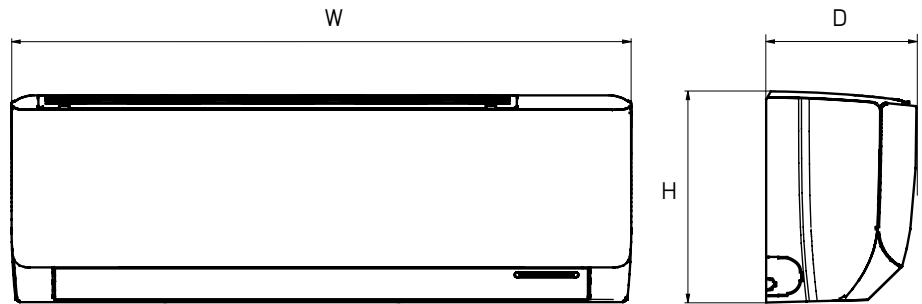
SPECIFICATIONS		3VIR24HP230V1AH / 3VIR24HP230V1BO		FEATURES & FUNCTIONS SUMMARY		3VIR24HP230V1AH / 3VIR24HP230V1BO	
System Type		HEAT PUMP					
<b>SYSTEM PERFORMANCE</b>							
Cooling	Min - Max	Btu/h	8870 - 28000				
	Capacity @95°F	Btu/h	22000				
Heating	Min - Max	Btu/h	7200 - 30708				
	Capacity @5°F	Btu/h					
	Capacity @17°F	Btu/h	15000				
	Capacity @47°F	W	24000				
SEER2		24.5					
EER2		13.1					
HSPF2		9.5					
COP @5°F							
COP @47°F		3.8					
Cooling Temperature Range		°F	-20 - 122				
Heating Temperature Range		°F	-22 - 86				
Refrigerant Type		R410A					
<b>INDOOR UNIT</b>		<b>3VIR24HP230V1AH</b>					
Air flow (Min-Max)		CFM	412 - 677				
Sound Pressure Level (Min - Max)		dB(A)	34 - 52				
Dehumidification		pt/hr	5.07				
External Dimensions (WxHxD)		in	42-3/8 × 13-1/8 × 9-11/16				
Package Dimension (W x H x D)		in	44-5/8 × 16-5/16 × 13-1/8				
Net Weight		lbs	35.3				
Gross Weight		lbs	41.9				
<b>OUTDOOR UNIT</b>		<b>3VIR24HP230V1BO</b>					
Compressor Type		GREE G-10 / 2 - STAGE INVERTER					
Sound Pressure Level		dB(A)	62				
External Dimensions (WxHxD)		in	39-3/8 × 29-3/8 × 16-13/16				
Package Dimension (W x H x D)		in	42-9/16 × 31-15/16 × 19-1/16				
Net Weight		lbs	125.7				
Gross Weight		lbs	136.7				
<b>REFRIGERANT PIPING</b>							
Refrigerant Charge - R410A		oz	60				
Additional Charge		oz/ft	0.5				
Line Set Size (Liquid - Gas) - Flared Connections		in	1/4 - 5/8				
Pre-Charge Length		ft	25				
Pipe Length (Min - Max)		ft	10 - 131				
Max. Pipe Elevation		ft	82				
<b>ELECTRICAL</b>							
Power Supply		208-230V / 1Ph / 60Hz (Powered by the Outdoor Unit)					
Voltage Range (Min - Max)		VAC	187 - 253				
Rated Current - Cooling		A	15.3				
Rated Current - Heating		A	13.5				
MCA		A	16				
MOCP		A	25				
Suggested Breaker Size		A	20				
Main Power Wire Size		AWG	Per Local Code				
Interconnecting Wire Size		AWG	14 / 4				
<b>SYSTEM FEATURES</b>							
Inverter Type		G10					
Ultra Low Frequency Torque Control		Yes					
Power Factor Correction		Yes					
Compressor Type - Inverter		High Efficiency Rotary					
Basepan With Electric Heater		Yes					
Indoor & Outdoor Fin Coating (Blue Fin)		Yes					
Intelligent Defrosting		Yes					
Intelligent Preheating		Yes					
Low Voltage Startup		Yes					
Memory/Power Failure Recovery		Yes					
Self Diagnosis		Yes					
Wired Controller Interface (XE71 or XK76 optional)		Yes					
WiFi Included		Yes					
NEW! Easy Service Access		Yes					
Indoor Fan Type		Crossflow					
Multi Fan Speeds		7 Speeds					
Indoor Unit Display		Yes					
Auxiliary Electrical Heater		No					
Ventilation (Outdoor Air)		No					
<b>REMOTE CONTROLLER FUNCTIONS</b>							
NEW! Auto Clean		Yes					
Auto Mode		Yes					
Auto Fan		Yes					
Auto Swing (Horizontal Auto Swing)		Yes					
Auto Swing - 180° (Vertical Auto Swing)		Yes					
Clock		Yes					
Dry Mode		Yes					
Dry Anti-Mildew (X-Fan) Mode		Yes					
Energy Saving Mode		Yes					
Dirty Filter Alert		No					
Fan Speed Control (7 Speeds)		Yes					
I Feel Function		Yes					
Privacy Lock		Yes					
Quiet Mode		Yes					
Room Temperature Display		No					
Sleep Mode		Yes					
3 Sleep Mode Options		Yes					
Timer Mode		Yes					
Turbo Mode		Yes					
Display On/Off Control		Yes					
Freeze Guard Mode		Yes					
Power Failure Mode		Yes					

## DIMENSIONS

### INDOOR UNIT

Unit: inch

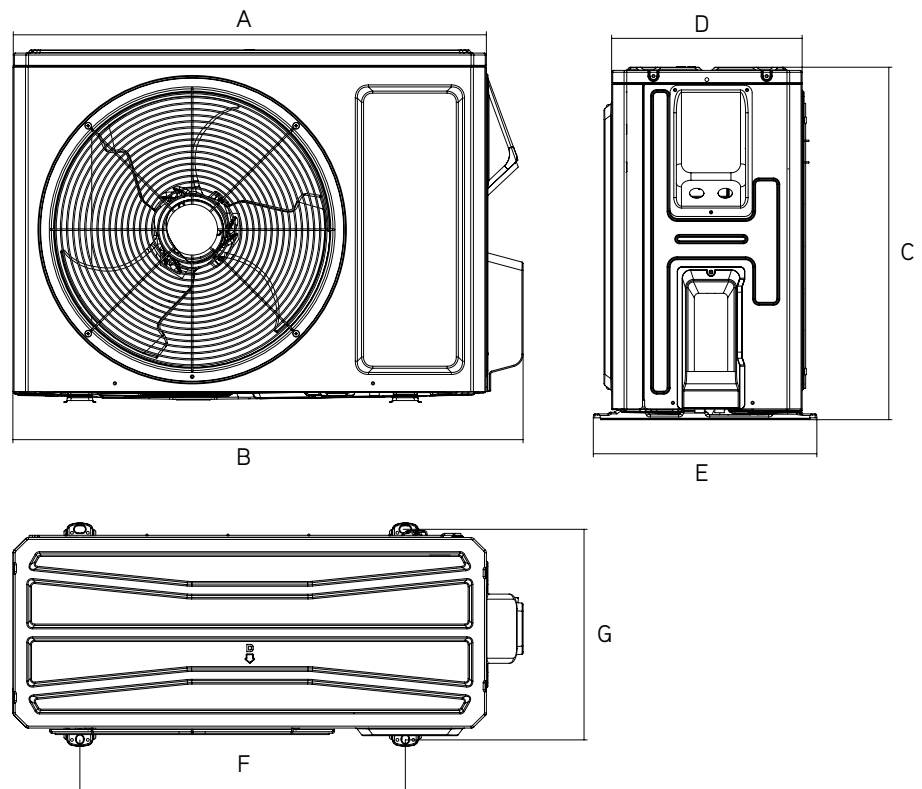
3VIR24HP230V1AH	
DIMENSIONS	
W	42-3/8
H	13-1/8
D	9-11/16
W1	7-7/32
W2	27-55/64
W3	7-1/4



### OUTDOOR UNIT

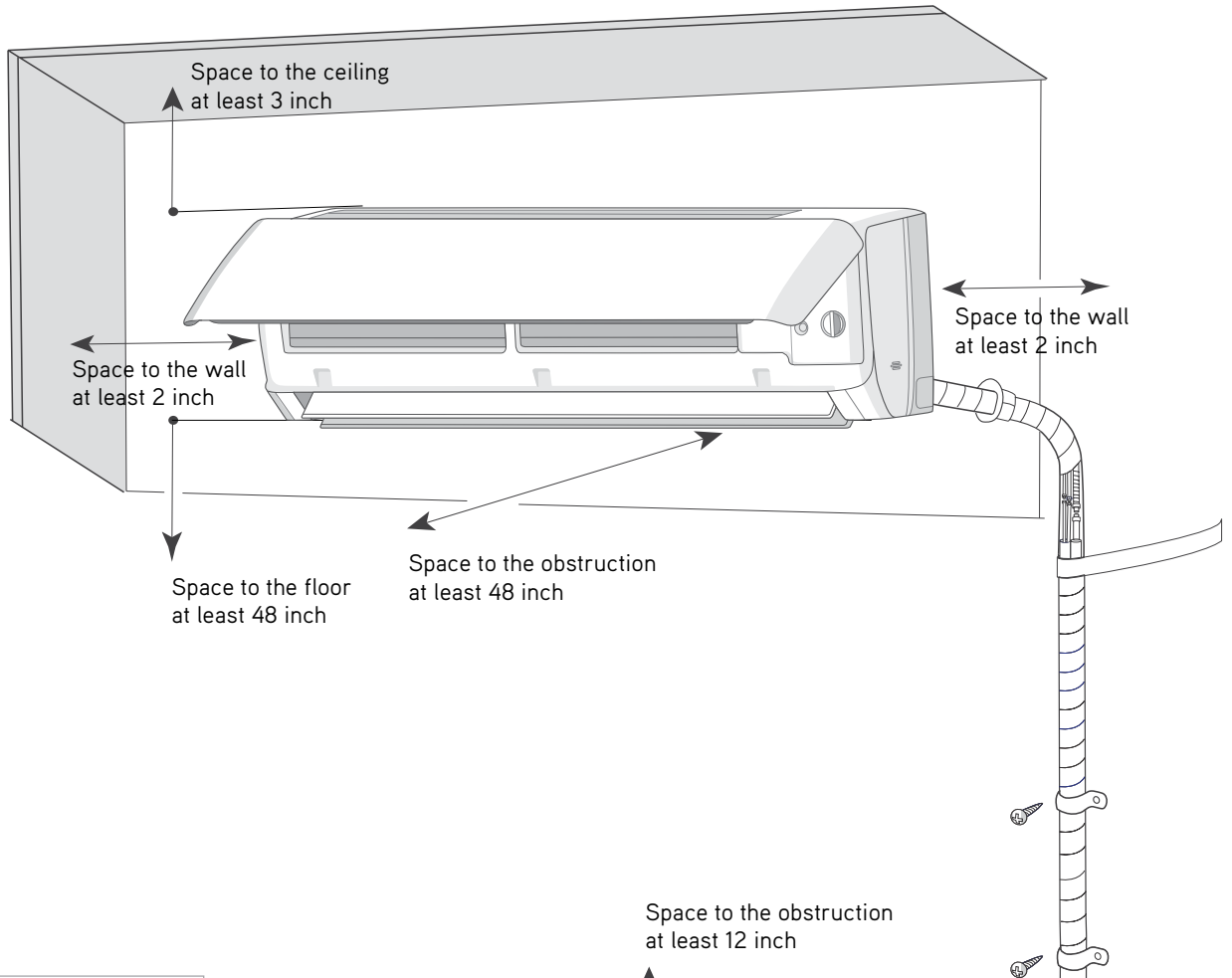
Unit: inch

3VIR24HP230V1B0	
DIMENSIONS	
A	36-11/32
B	39-3/8
C	29-3/8
D	14-17/32
E	16-13/16
F	24-1/64
G	15-35/64



# CLEARANCES

## INDOOR UNIT Minimum clearance



## OUTDOOR UNIT Minimum clearance

