



SUBMITTAL DATA: 3VIR24HP230V1A

24000 BTU/H Floor/Ceiling Heat Pump System

| | | |
|------------------|--------------|------|
| Job Name | Location | Date |
| Purchaser | Engineer | |
| Submitted To | For | |
| Unit Designation | Schedule No. | |

YT1F / XK19

FLR24HP230V1BF

3VIR24HP230V1AO



(Optional)



GENERAL FEATURES

AHRI Certificate: 207201635

High Efficiency DC Inverter Technology

Quiet Operation and Multi-Speed Fan

Floor Stand or Ceiling Mount

Multi-Directional Air Flow

Wireless Remote with LCD Display Included

XK19 Wired Controller Included

Low Ambient Cooling down to -20°F (Range -20°F to 122°F)

Low Ambient Heating down to -22°F (Range -22°F to 86°F)

Coil (Indoor and Outdoor) Copper Tube / Aluminum Fin*

*** (Blue Fin) 500 Hrs Salt Spray Tested**

5 Year Limited Compressor & Parts Warranty (Residential Only)

SPECIFICATIONS

3VIR24HP230V1AO / FLR24HP230V1BF

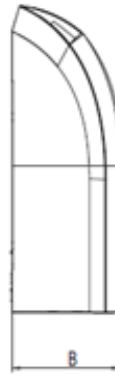
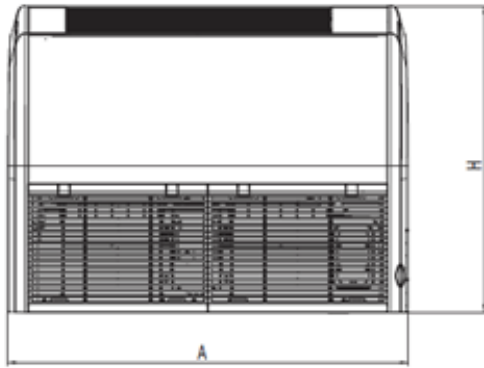
| System Type | | HEAT PUMP | |
|--|-----------------------|----------------------------|--------------------------|
| SYSTEM PERFORMANCE | | | |
| Cooling | Rated Capacity @ 95°F | Btu/h | 22000 |
| | Min-Max Capacity | Btu/h | 3600 - 26500 |
| Heating | Rated Capacity @ 47°F | Btu/h | 24000 |
| | Rated Capacity @ 17°F | Btu/h | 14800 |
| | Min-Max Capacity | Btu/h | 4000 - 33000 |
| SEER / EER | | 20 / 12 | |
| HSPF / COP | | 10 / 3.3 | |
| Energy Star® | | NO | |
| Cooling Temperature Range | | °F | -20 - 122 |
| Heating Temperature Range | | °F | -22 - 86 |
| INDOOR UNIT | | FLR24HP230V1BF | |
| Fan Motor Output Power | | W | 20 |
| Fan Motor FLA | | amps | 0.32 |
| Air Flow (Min - Max) | | CFM | 424 - 560 |
| Sound Pressure Level (Cooling / Heating) | | dB(A) | 27 - 38 |
| Dehumidification | | pt/hr | 5.3 |
| Condensate Drain Size (OD) | | in | 1 1/16 |
| Unit Dimension (WxHxD) | | in | 47 1/4 X 26 1/4 X 9 1/4 |
| Package Dimension (WxHxD) | | in | 53 1/2 X 30 1/4 X 11 1/4 |
| Weight (Net / Gross) | | lbs | 72.8 / 88.2 |
| OUTDOOR UNIT | | 3VIR24HP230V1AO | |
| Compressor Type | | G-10 / 1-Stage Inverter | |
| Compressor RLA | | amps | 10.68 |
| Fan Motor Output Power | | W | 90 |
| Fan Motor RLA | | amps | 0.7 |
| Sound Pressure Level (Cooling / Heating) | | dB(A) | 59 |
| Unit Dimension (WxHxD) | | in | 39 1/2 X 31 1/8 X 16 7/8 |
| Package Dimension (WxHxD) | | in | 42 5/8 X 33 1/8 X 19 1/8 |
| Weight (Net / Gross) | | lbs | 124.6 / 135.6 |
| Refrigerant Charge - R410A | | oz | 63.5 |
| Coil Type | | Aluminum Fin / Copper Tube | |
| REFRIGERANT PIPING | | | |
| Line Set Size (Liquid - Gas) | | in | 1/4 - 5/8 |
| Pre-Charge Length | | ft | 25 |
| Pipe Length (Min - Max) | | ft | 10 / 98 |
| Max. Pipe Elevation | | ft | 66 |
| ELECTRICAL | | | |
| Power Supply (Voltage Operating Range) | | 208-230V / 1Ph / 60Hz | |
| Rated Current (Cooling / Heating) | | amps | 7.5 / 14.5 |
| MCA / MOCP | | amps | 16 / 25 |
| Main Power Wire Size | | AWG | Size Per Local Code |
| Interconnecting Wire Size | | AWG | 14 / 4 |
| LIMITED WARRANTY | | | |

FEATURES & FUNCTIONS SUMMARY**3VIR24HP230V1AO / FLR24HP230V1BF****SYSTEM FEATURES**

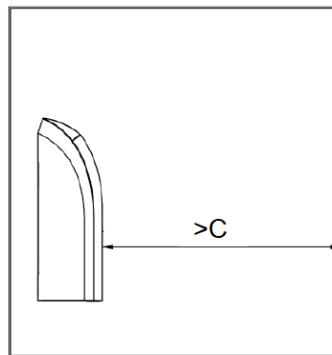
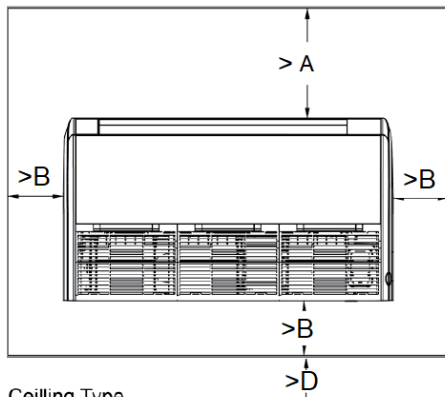
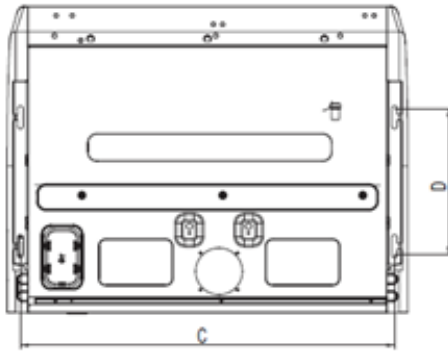
| | |
|---|------------------------|
| Inverter Type | G10 |
| Ultra Low Frequency Torque Control | Yes |
| Power Factor Correction | Yes |
| Compressor Type - Inverter | High Efficiency Rotary |
| Basepan With Electric Heater | Yes |
| Indoor & Outdoor Fin Coating (Blue Fin) | Yes |
| Intelligent Defrosting | Yes |
| Intelligent Preheating | Yes |
| Low Voltage Startup | Yes |
| Memory/Power Failure Recovery | Yes |
| Self Diagnosis | Yes |
| Wired Controller Interface | Yes |
| WiFi Included | No |
| Indoor Fan Type | Centrifugal |
| Multi Fan Speeds | 4 Speeds |
| Indoor Unit Display | Yes |
| Auxiliary Electrical Heater | No |
| Ventilation (Outdoor Air) | No |

REMOTE CONTROLLER FUNCTIONS

| | |
|--------------------------------------|-----|
| Auto Mode | Yes |
| Auto Fan | Yes |
| Auto Swing - (Horizontal Auto Swing) | Yes |
| Auto Swing - (Vertical Auto Swing) | Yes |
| Clock | Yes |
| Dry Mode | Yes |
| Dry Anti-Mildew (X-Fan) Mode | Yes |
| Energy Saving Mode | Yes |
| Dirty Filter Alert | No |
| Fan Speed Control (4 Speeds) | Yes |
| I Feel Function | Yes |
| Privacy Lock | Yes |
| Quiet Mode | Yes |
| Room Temperature Display | No |
| Sleep Mode (Normal Sleep) | Yes |
| 4 Sleep Mode Options | No |
| Timer Mode | Yes |
| Turbo Mode | Yes |
| Display On/Off Control | Yes |
| Freeze Guard Mode | Yes |
| Power Failure Mode | Yes |

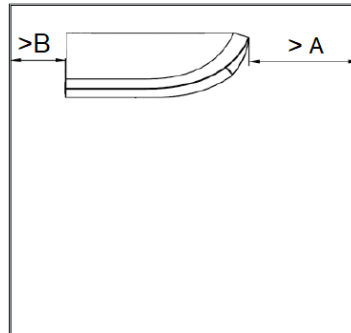
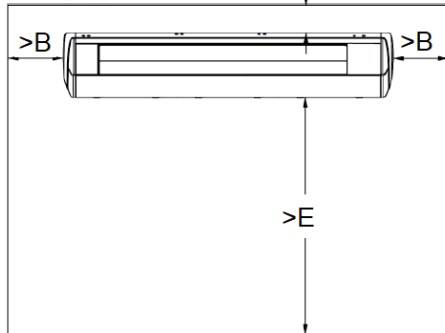


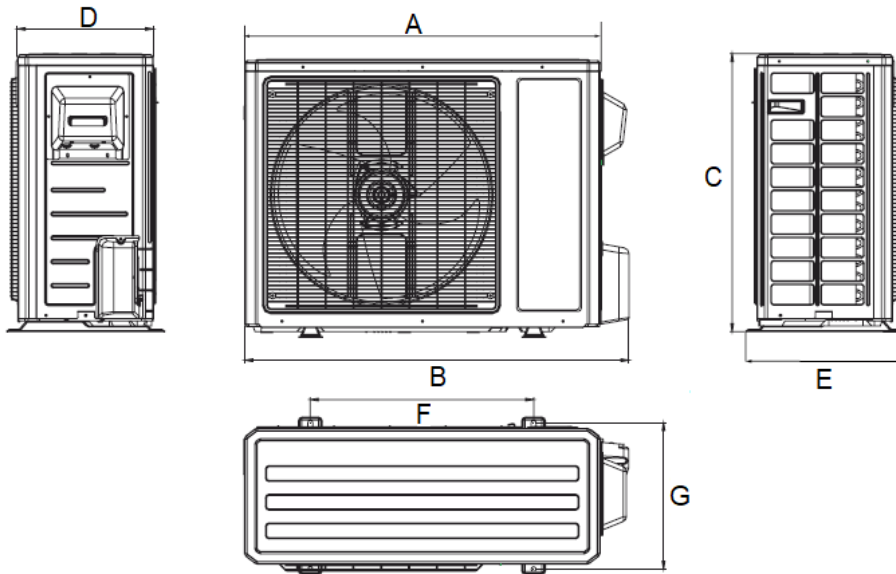
| Dimensions | |
|------------|--------|
| A | 47 1/4 |
| B | 9 1/4 |
| C | 45 |
| D | 12 1/2 |
| H | 26 1/4 |



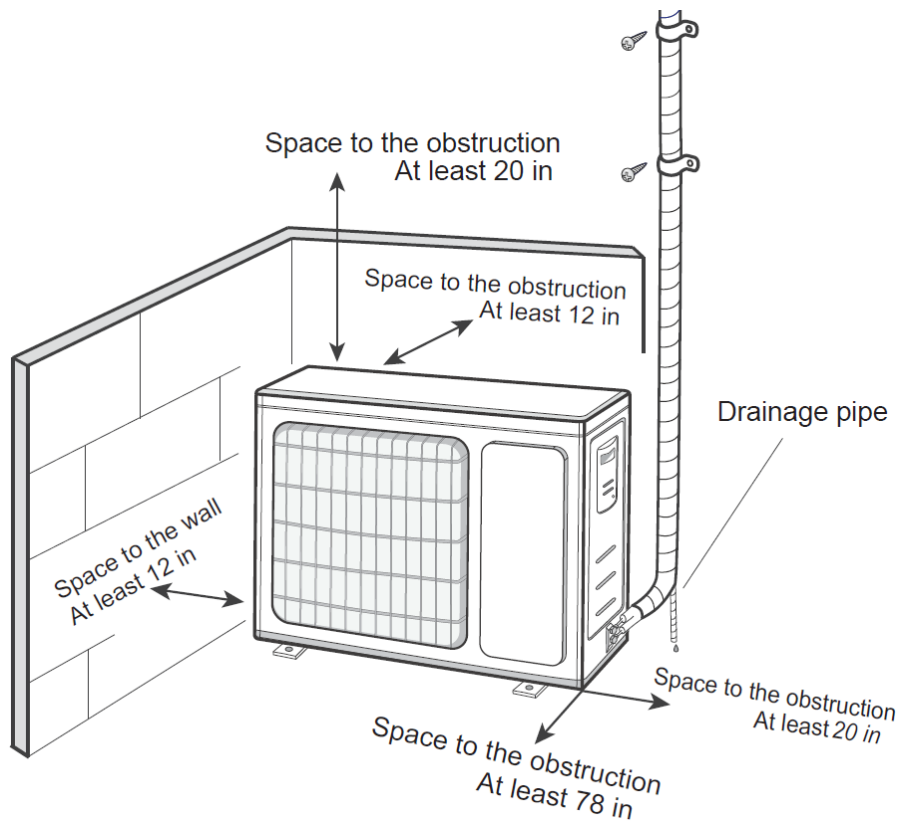
| Dimensions | |
|------------|----|
| A | 60 |
| B | 12 |
| C | 39 |
| D | 6 |
| E | 90 |

Ceiling Type





| Dimensions | |
|------------|---------|
| A | 36 1/4 |
| B | 39 1/2 |
| C | 31 1/8 |
| D | 14 9/16 |
| E | 16 7/8 |
| F | 24 |
| G | 15 9/16 |



Specifications are subject to change without notice. Manufacturer reserves the right to discontinue or modify specifications or designs without notice or without incurring obligations. All Rights reserved.