



&



Replacement Parts Catalog

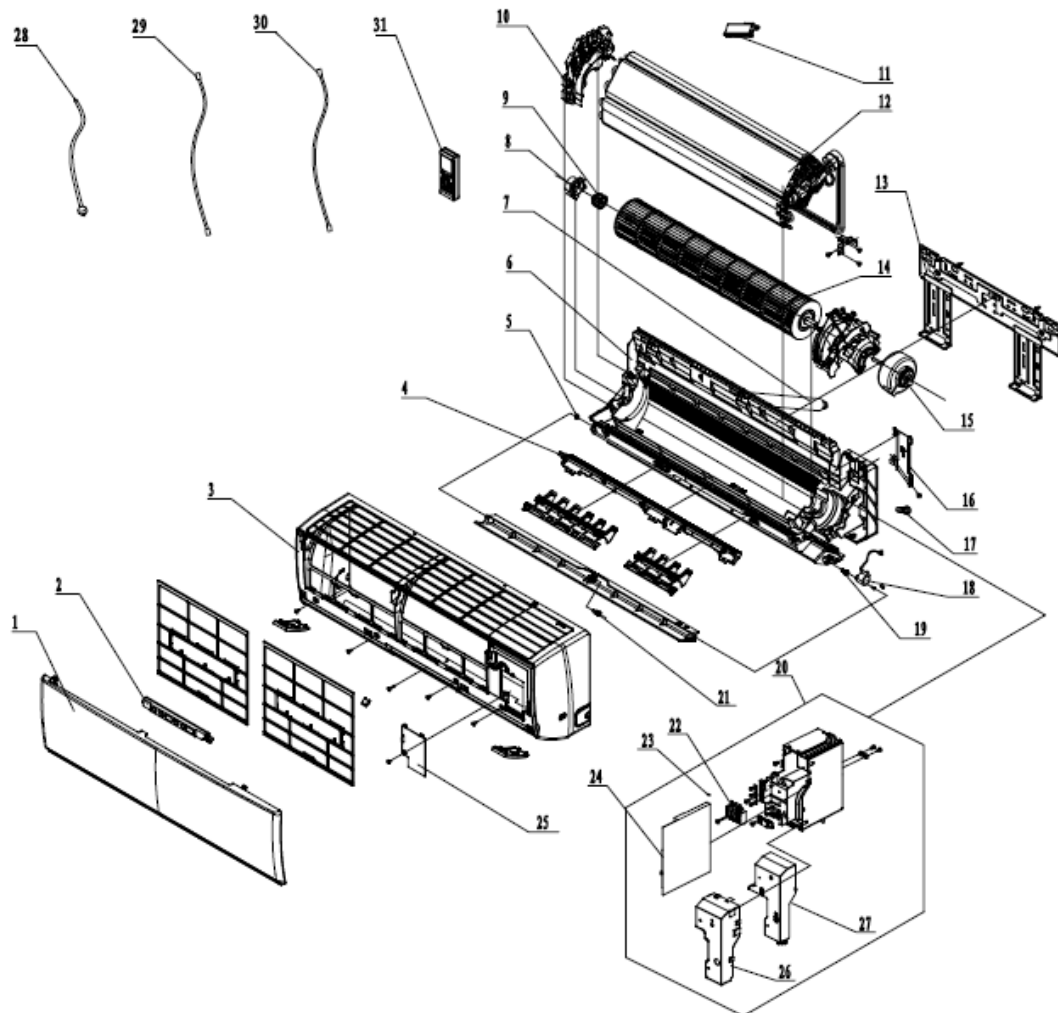


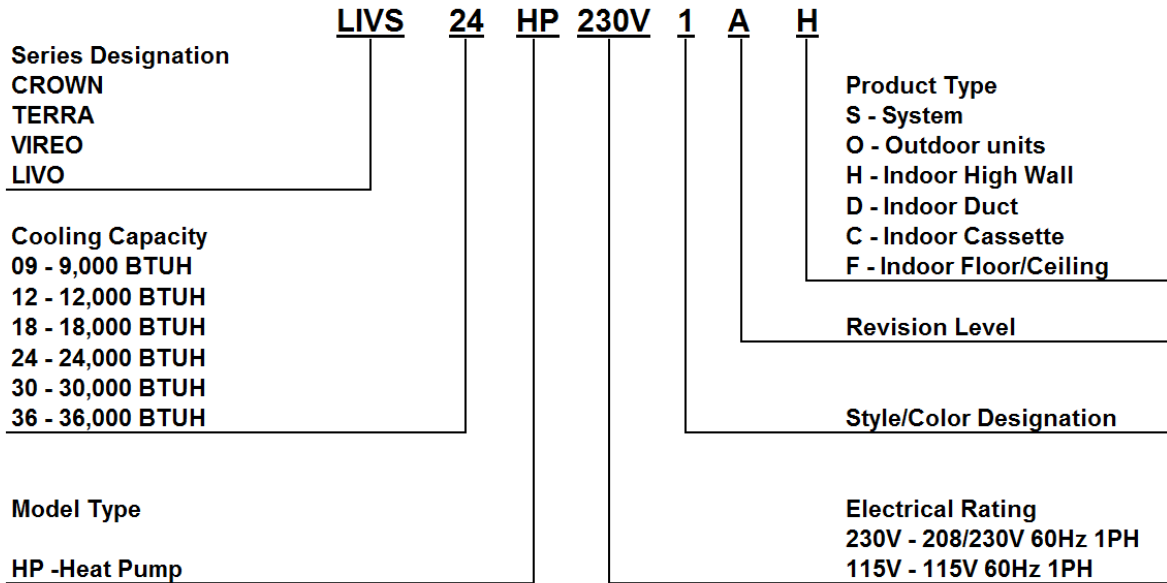
Table of Contents

Model Number	Description	Page
Nomenclature	Part Number Nomenclature Chart	3-4
LIVS09HP115V1AH	Livo Heat Pump 9,000 BTUH 115v Indoor Unit	5-6
LIVS09HP115V1AO	Livo Heat Pump 9,000 BTUH 115v Outdoor Unit	7-8
LIVS09HP230V1AH	Livo Heat Pump 9,000 BTUH 208/230v Indoor Unit	9-10
LIVS09HP230V1AO	Livo Heat Pump 9,000 BTUH 208/230v Outdoor Unit	11-12
LIVS12HP230V1AH	Livo Heat Pump 12,000 BTUH 208/230v Outdoor Unit	13-14
LIVS12HP115V1AO	Livo Heat Pump 12,000 BTUH 115v Outdoor Unit	15-16
LIVS12HP230V1AH	Livo Heat Pump 12,000 BTUH 208/230v Indoor Unit	17-18
LIVS12HP230V1AO	Livo Heat Pump 12,000 BTUH 208/230v Outdoor Unit	19-20
LIVS18HP230V1AH	Livo Heat Pump 18,000 BTUH 208/230v Indoor Unit	21-22
LIVS18HP230V1AO	Livo Heat Pump 18,000 BTUH 208/230v Outdoor Unit	23-24
LIVS24HP230V1AH	Livo Heat Pump 24,000 BTUH 208/230v Indoor Unit	25-26
LIVS24HP230V1AO	Livo Heat Pump 24,000 BTUH 208/230v Outdoor Unit	27-28
LIVS30HP230V1AH	Livo Heat Pump 30,000 BTUH 208/230v Indoor Unit	29-30
LIVS30HP230V1AO	Livo Heat Pump 30,000 BTUH 208/230v Outdoor Unit	31-32
LIVS36HP230V1AH	Livo Heat Pump 36,000 BTUH 208/230v Indoor Unit	33-34
LIVS36HP230V1AO	Livo Heat Pump 36,000 BTUH 208/230v Outdoor Unit	35-36
LIVS09HP115V1BH	Livo+ Heat Pump 9,000 BTUH 115v Indoor Unit	37-38
LIVS09HP115V1BO	Livo+ Heat Pump 9,000 BTUH 115v Outdoor Unit	39-40
LIVS09HP230V1BH	Livo+ Heat Pump 9,000 BTUH 208/230v Indoor Unit	41-42
LIVS09HP230V1BO	Livo+ Heat Pump 9,000 BTUH 208/230v Outdoor Unit	43-44
LIVS12HP230V1BH	Livo+ Heat Pump 12,000 BTUH 208/230v Outdoor Unit	45-46
LIVS12HP115V1BO	Livo+ Heat Pump 12,000 BTUH 115v Outdoor Unit	47-48
LIVS12HP230V1BH	Livo+ Heat Pump 12,000 BTUH 208/230v Indoor Unit	49-50
LIVS12HP230V1BO	Livo+ Heat Pump 12,000 BTUH 208/230v Outdoor Unit	51-52
LIVS18HP230V1BH	Livo+ Heat Pump 18,000 BTUH 208/230v Indoor Unit	53-54
LIVS18HP230V1BO	Livo+ Heat Pump 18,000 BTUH 208/230v Outdoor Unit	55-56
LIVS24HP230V1BH	Livo+ Heat Pump 24,000 BTUH 208/230v Indoor Unit	57-58
LIVS24HP230V1BO	Livo+ Heat Pump 24,000 BTUH 208/230v Outdoor Unit	59-60
LIVS30HP230V1BH	Livo+ Heat Pump 30,000 BTUH 208/230v Indoor Unit	61-62
LIVS30HP230V1BO	Livo+ Heat Pump 30,000 BTUH 208/230v Outdoor Unit	63-64
LIVS36HP230V1BH	Livo+ Heat Pump 36,000 BTUH 208/230v Indoor Unit	65-66
LIVS36HP230V1BO	Livo+ Heat Pump 36,000 BTUH 208/230v Outdoor Unit	67-68

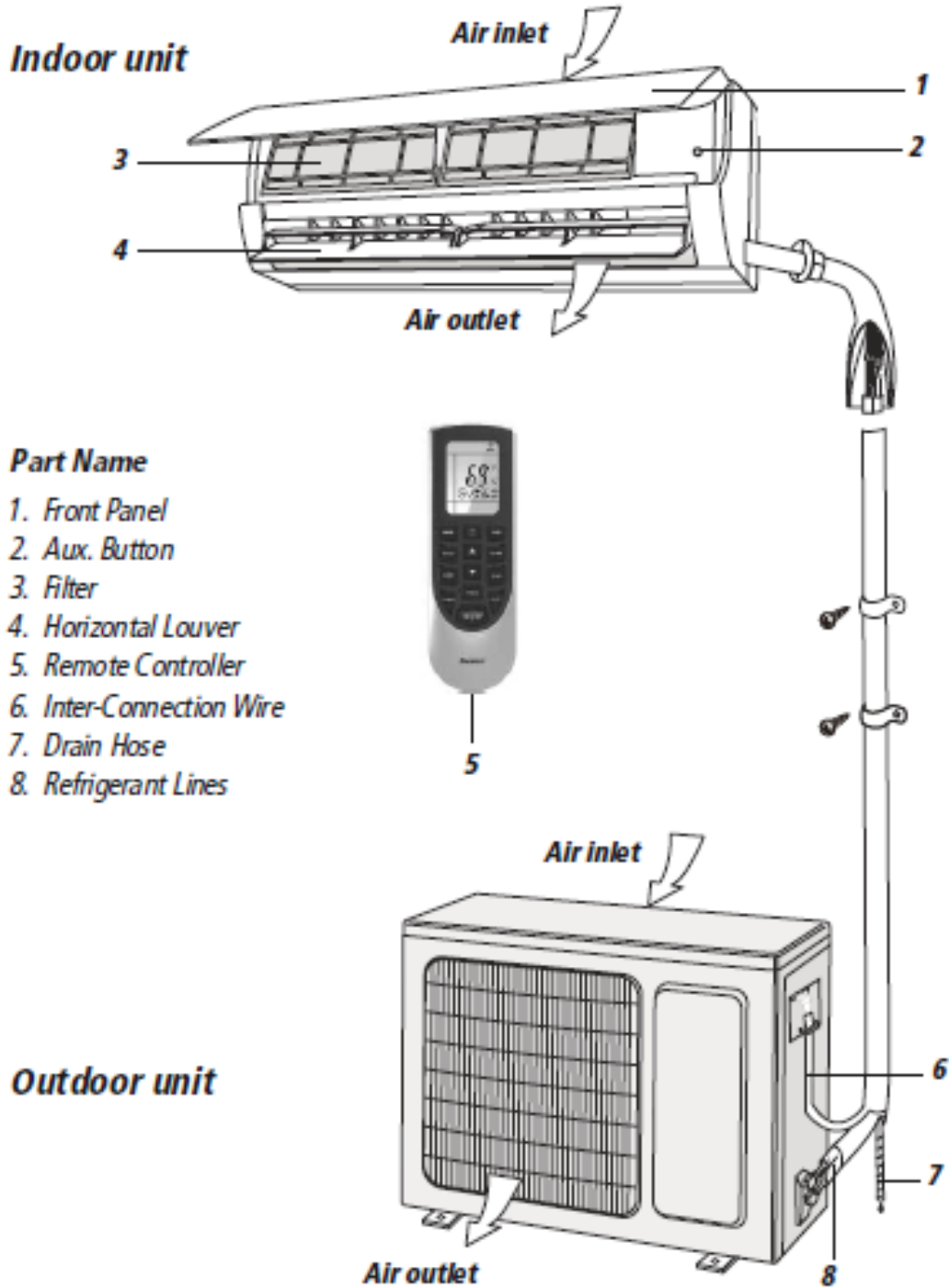
Product Catalog Number-Nomenclature

(2015 and later)

Example: LIVS24HP230V1AH

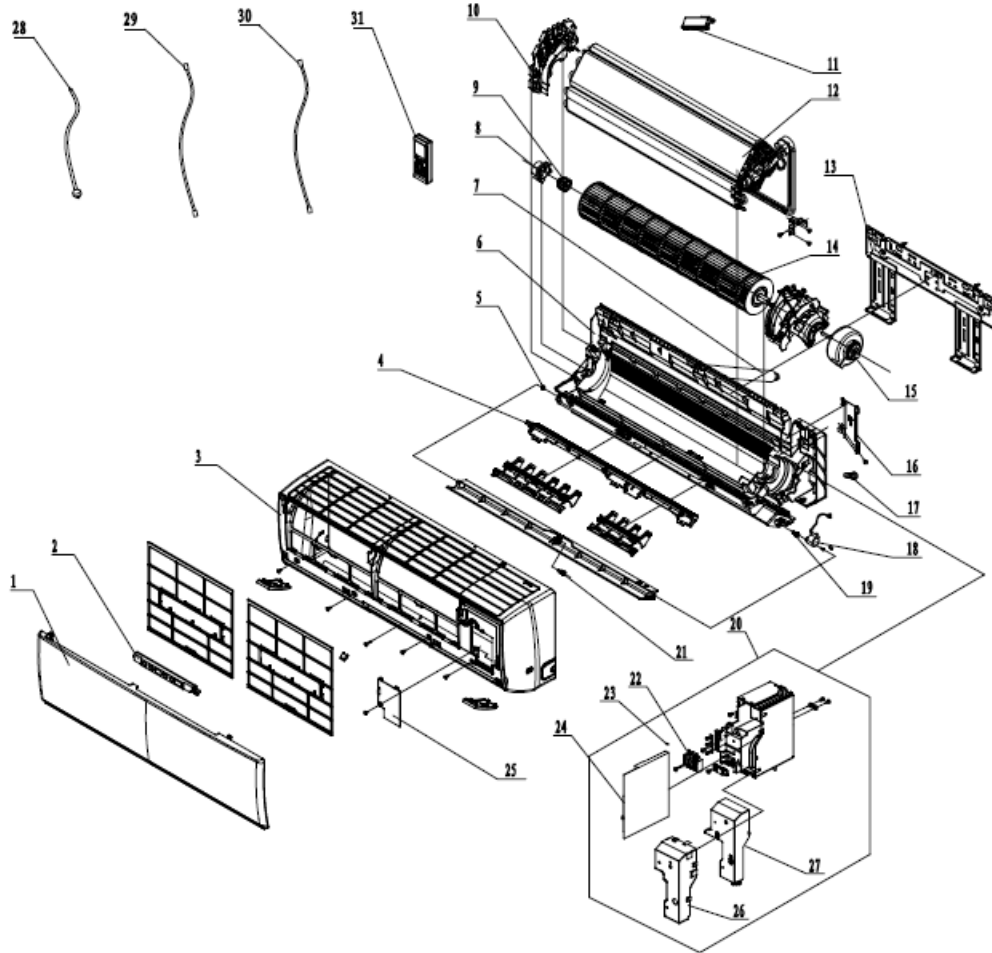


Typical Product Installation



LIVS09HP115V1AH

9,000 BTUH 115v Indoor Unit

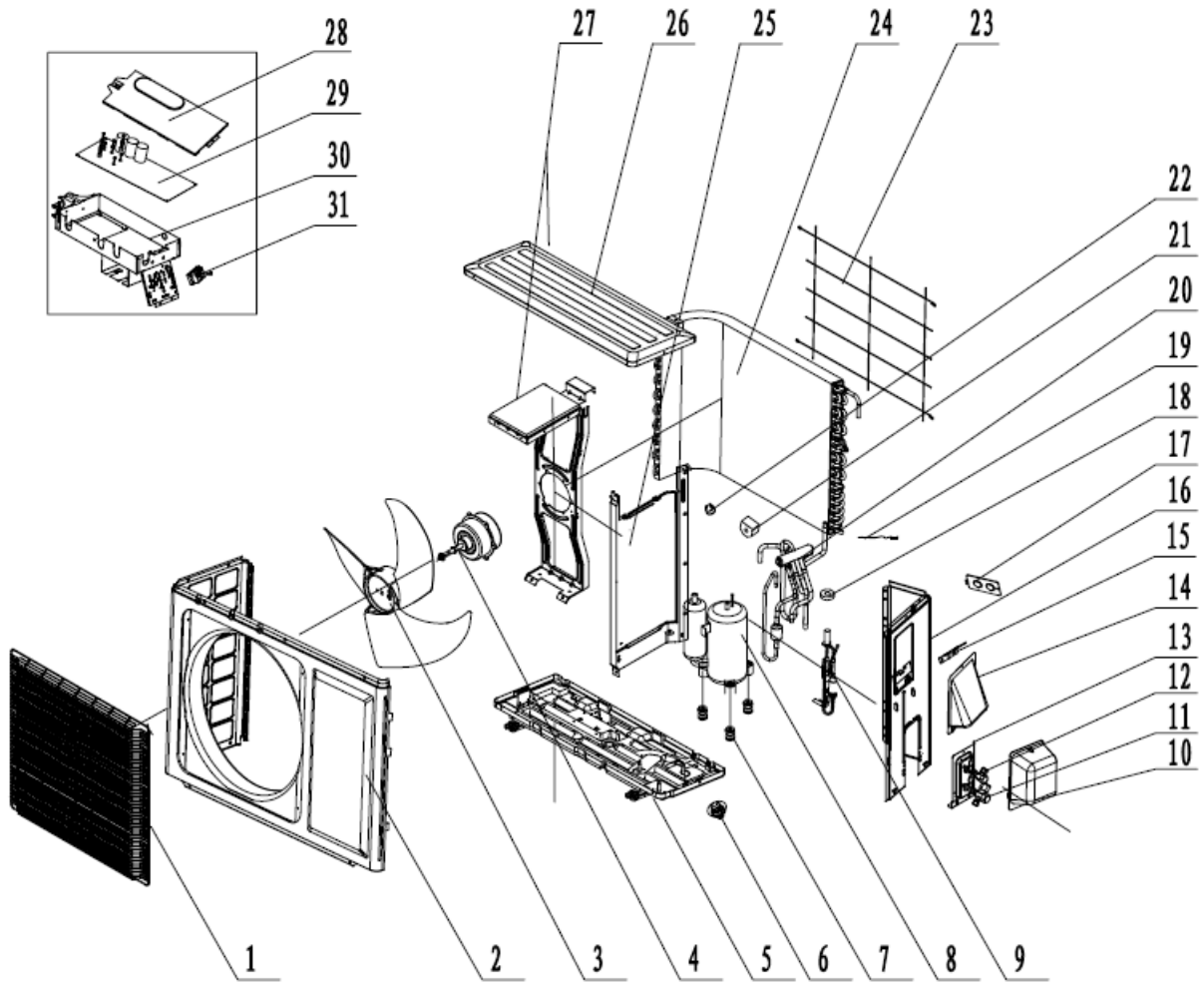


LIVS09HP115V1AH
9,000 BTUH 115v Indoor Unit
Product Code: GWH09QB-A3DNB2E/I

NO.	Part Code	Part Description	Qty
1	20000300019S	Front Panel	1
2	30565260	Display Board	1
Not Shown	11122219	Air Filter	2
3	00000200040	Front Case Assy	1
4	26112508	Helicoid Tongue	1
5	10512037	Left Axial Bushing	1
6	00000100066	Rear Case Assy	1
7	0523001408	Drainage Hose	1
8	26152022	Ring of Bearing	1
9	7651205102	Bearing O-Gasket Sub-Assy	1
10	24212180	Evaporator Coil Support	1
12	0100200004407	Evaporator Coil Assy	1
13	01252043	Wall Mounting Bracket	1
14	10352059	Cross Flow Fan	1
15	1501208902	Fan Motor	1
16	2611216401	Pipe Clamp	1
17	76712012	Brain Plug (Water Tray)	1
18	1521212901	Stepper Motor	1
19	73012005	Crank	1
20	10000203283	Electric Box Assy	1
21	10542036	Axial Bushing	1
22	42011233	Terminal Board	1
23	4202021911	Configuration Jumper Assy	1
24	30138000765	Main Control Board	1
25	0140206501	Electric Box Cover Sub-Assy	1
26	01592150	Electric Box Cover Shield Cover	1
27	2011220701	Electric Box Cover	1
31	30510475	Remote Controller (YAN1F1F)	1
Not Shown	26150009	Remote Controller Holder/Cradle	1
Not Shown	3900031302	Indoor Coil Temperature Sensor	1
Not Shown	3900031302	Ambient Temperature Sensor	1

LIVS09HP115V1AO

9,000 BTUH 115v Outdoor Unit



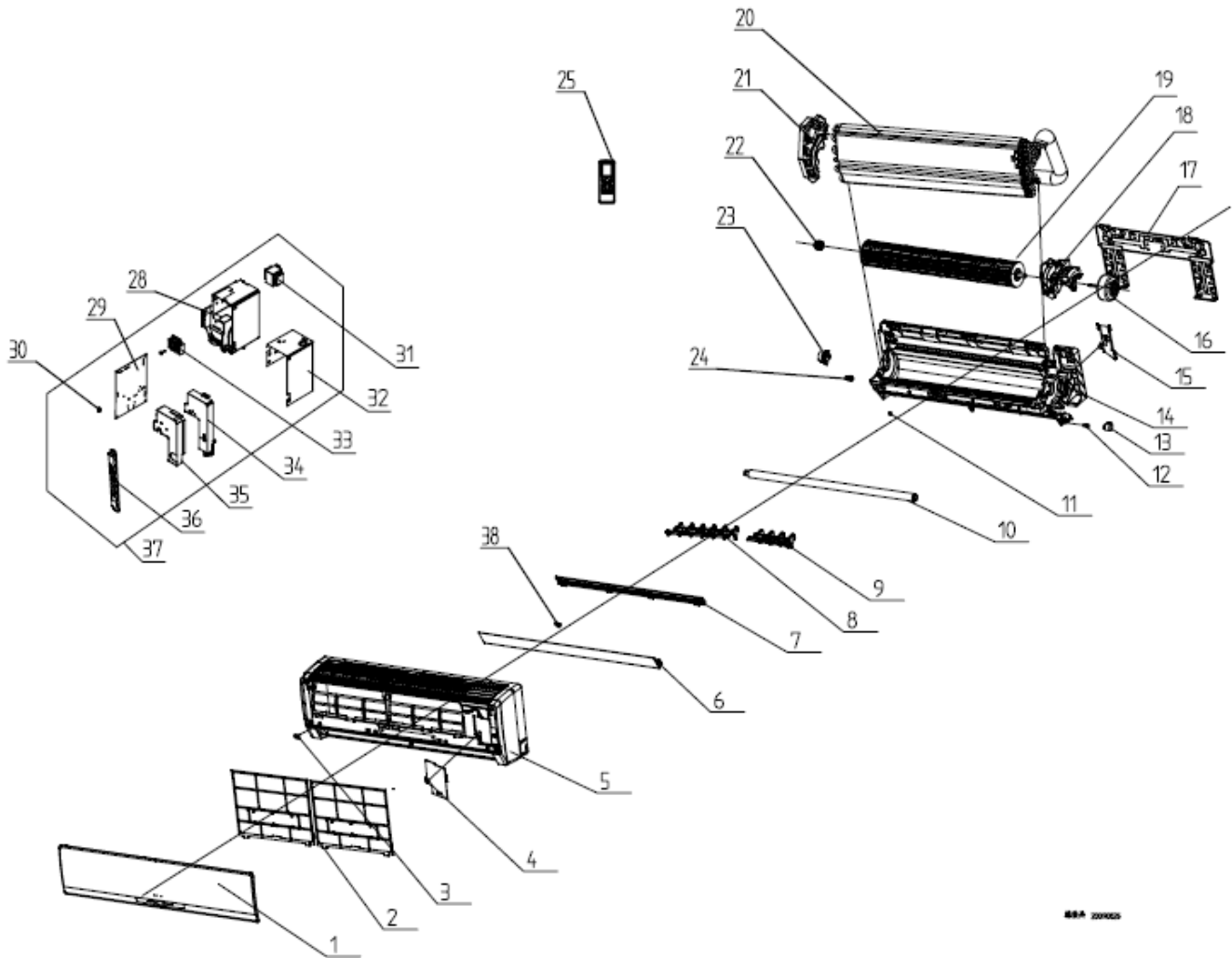
LIVS09HP115V1AO
9,000 BTUH 115v Outdoor Unit
Product Code: GWH09QB-A3DNA6E/O

NO.	Part Code	Part Description	Qty
1	01473012	Front Grille	1
2	0153304901	Front Panel Assy	1
3	10333004	Axial Flow Fan	1
4	1501308507	Fan Motor	1
5	0120388105P	Chassis Sub-Assy	1
6	06123401	Condensate Drain Connector	1
Not Shown	06813401	Condensate Drain Hole Plug	1
7	76710302	Compressor Grommet	3
8	00103862	Compressor	1
Not Shown	03700200543	Capillary Sub-Assy	1
10	2012300101	Valve Cover	1
11	07100003	1/4-in Liquid Line Valve	1
12	07100005	3/8-in Gas/Suction Valve	1
13	01713041	Valve Support	1
14	02123014P	Cable Cross Plate 2	1
15	02123013P	Cable Cross Plate 1	1
16	013030713	Right Side Plate Assy	1
17	01413069	Pass Wire Cover	1
19	39000310	Temperature Sensor Assy **	1
20	03073403	4-Way Valve Assy	1
Not Shown	430004022	4-Way Valve	1
21	4300040021	4-Way Valve Solenoid Coil	1
22	00180030	Compressor Overload Protector(External)	1
Not Shown	00183031	Compressor Overload Protector(External)	1
Not Shown	00183032	Compressor Overload Protector(External)	1
23	01473057	Rear Grille	1
24	01100200497	Condenser Coil Assy	1
25	01233034	Clapboard Sub-Assy	1
26	01253443	Top Cover Plate	1
28	0260309601	Electric Box Cover Sub-Assy	1
29	30138000865	Main Control Board	1
30	10000100609	Electric Box Assy	1
31	42010255	Terminal Board	1

** Temperature Sensor Assembly contains Discharge, Condenser Coil and Ambient sensors.

LIVS09HP230V1AH

9,000 BTUH 208/230v Indoor Unit



888 208025

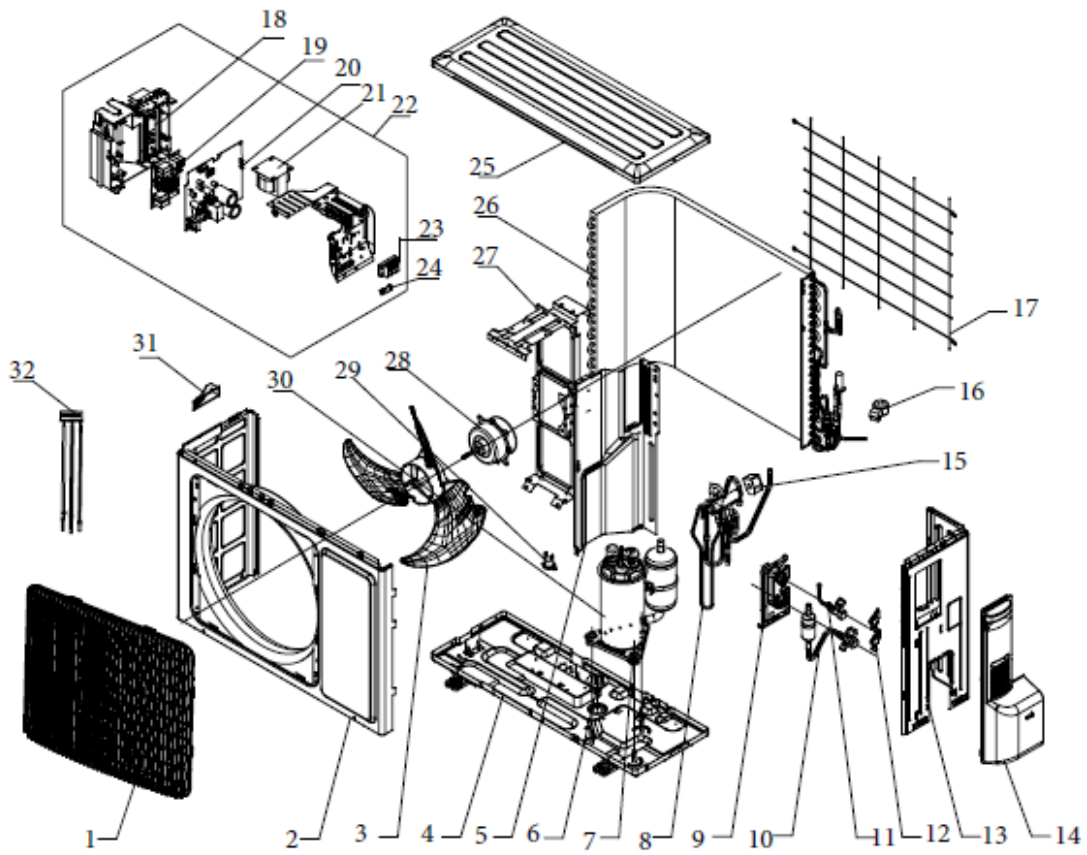
LIVS09HP230V1AH
9,000 BTUH 208/230v Indoor Unit
Product Code: GWH09QB-D3DNB2E/I

NO.	Part Code	Part Description	Qty
1	20000300019S	Front Panel	1
2	11122219	Air Filter	2
3	2425203001	Cover Screw	1
4	2011220801	Electric Box Cover 2	1
5	00000200040	Front Case Assy	1
6	1051276301	Guide Louver	1
7	26112508	Helicoid Tongue	1
8	10512719	Swing Louver	1
9	10512721	Swing Louver	1
10	0523001408	Condensate Drain Hose	1
11	10512037	Left Axial Bushing	1
12	73012005	Crank	1
13	1521212901	Stepper Motor	1
14	00000100066	Rear Case Assy	1
15	2611216401	Pipe Clamp	1
16	1501208905	Fan Motor	1
17	01252043	Wall Mounting Bracket	1
18	26112373	Motor Bracket	1
19	10352059	Cross flow Blower Wheel	1
20	0100200004407	Evaporator Coil Assy	1
21	24212180	Evaporator Coil Support	1
22	7651205102	Bearing O-Gasket Sub-Assy	1
23	26152022	Bearing Ring	1
24	76712012	Condensate Drain Plug (Water Tray)	1
25	30510475	Remote Controller (YAN1F1F)	1
Not Shown	26150009	Remote Controller Holder/Cradle	1
Not Shown	MC207059	XK-41 Tether Wired Controller**	1
28	2011220601	Electric Box	1
29	30138000659	Main Control Board	1
30	4202021911	Configuration Jumper Assy	1
31	4311031501	High Frequency Transformer	1
33	42011233	Terminal Board	1
34	01592150	Electric Box Shield Cover	1
35	01592168	Electric Box Shield Cover	1
36	30565260	Display Board	1
37	10000202370	Electric Control Box Assy	1
38	10542036	Axial Bushing	1
Not Shown	3900031302	Ambient Temperature Sensor	1
Not Shown	3900031302	Indoor Coil Temperature Sensor	1

** Sold Separately

LIVS09HP230V1AO

9,000 BTUH 208/230v Outdoor Unit



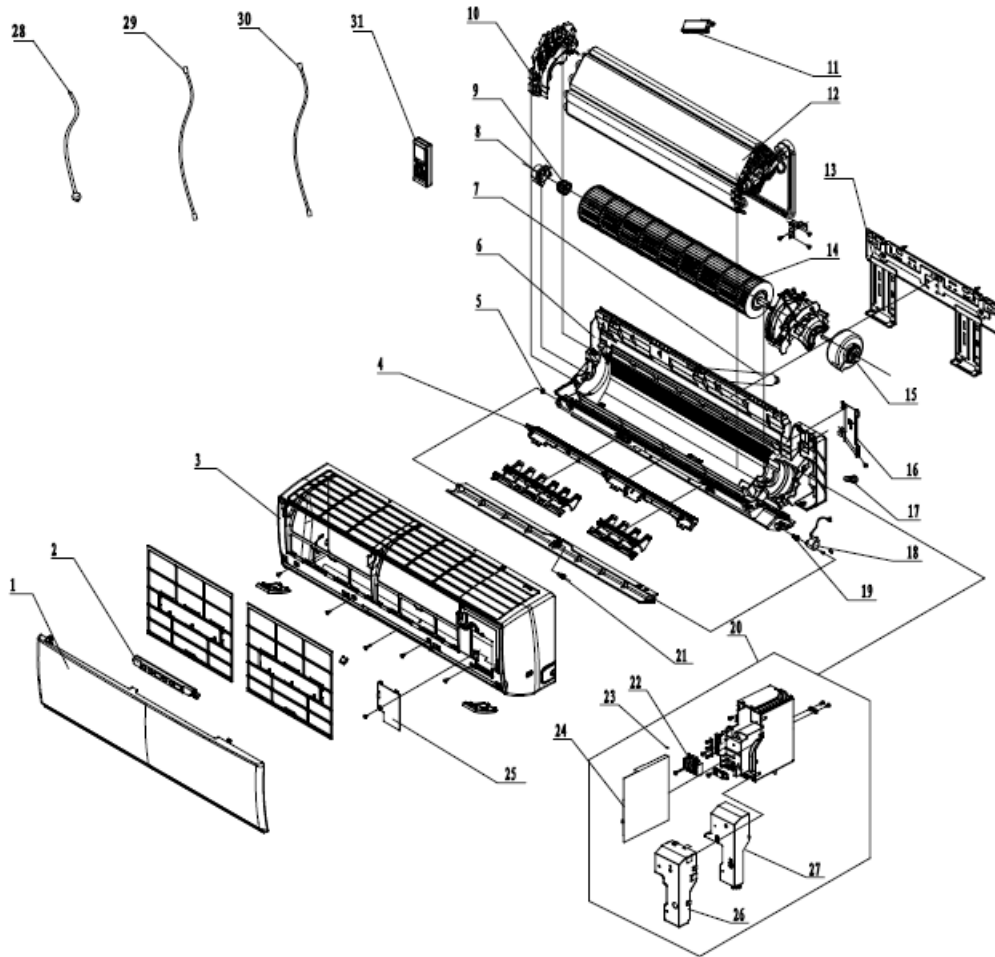
LIVS09HP230V1AO
9,000 BTUH 208/230v Outdoor Unit
Product Code: GWH09QB-D3DNA6E/O

NO.	Part Code	Part Description	Qty
1	01473012	Front Grille	1
3	10333004	Axial Flow Fan	1
4	01700000095P	Chassis Sub-Assy	1
5	0123338502	Clapboard Sub-Assy	1
6	06123401	Condensate Drain Connector	1
Not Shown	06813401	Condensate Drain Hole Plug	1
7	76713027	Compressor Grommet	3
8	03073369	4-Way Valve Assy	1
Not Shown	430004022	4-Way Valve	1
9	0171314201P	Valve Support	1
10	07133474	Cut off Valve Assy	1
11	07100003	1/4-in Liquid Line Valve	1
Not Shown	071302391	3/8-in Gas/Suction Valve	1
12	26113017	Valve Support Block	2
13	013030713	Right Side Plate Assy	1
15	4300040050	4-Way Valve Solenoid Coil	1
17	01473009	Rear Grille	1
18	20113033	Electric Box	1
20	30138000679	Main Control Board	1
21	43130184	Reactor	1
22	10000100292	Electric Box Assy	1
23	42010313	Terminal Board	1
24	71010003	Wire Clamp	2
25	01253073	Top Cover Sub-Assy	1
26	01100200349	Condenser Coil Assy	1
27	01703104	Motor Support	1
28	1501306723	Fan Motor	1
29	00183114	Compressor Overload Protector(External)	1
Not Shown	00183111	Compressor Overload Protector(External)	1
30	00103892	Compressor	1
Not Shown	03700200543	Capillary Sub-Assy	1
31	26233100	Small Handle	1
32	3900030805	Temperature Sensor Assy **	1

** Temperature Sensor Assembly contains Discharge, Condenser Coil and Ambient sensors.

LIVS12HP115V1AH

12,000 BTUH 115v Indoor Unit

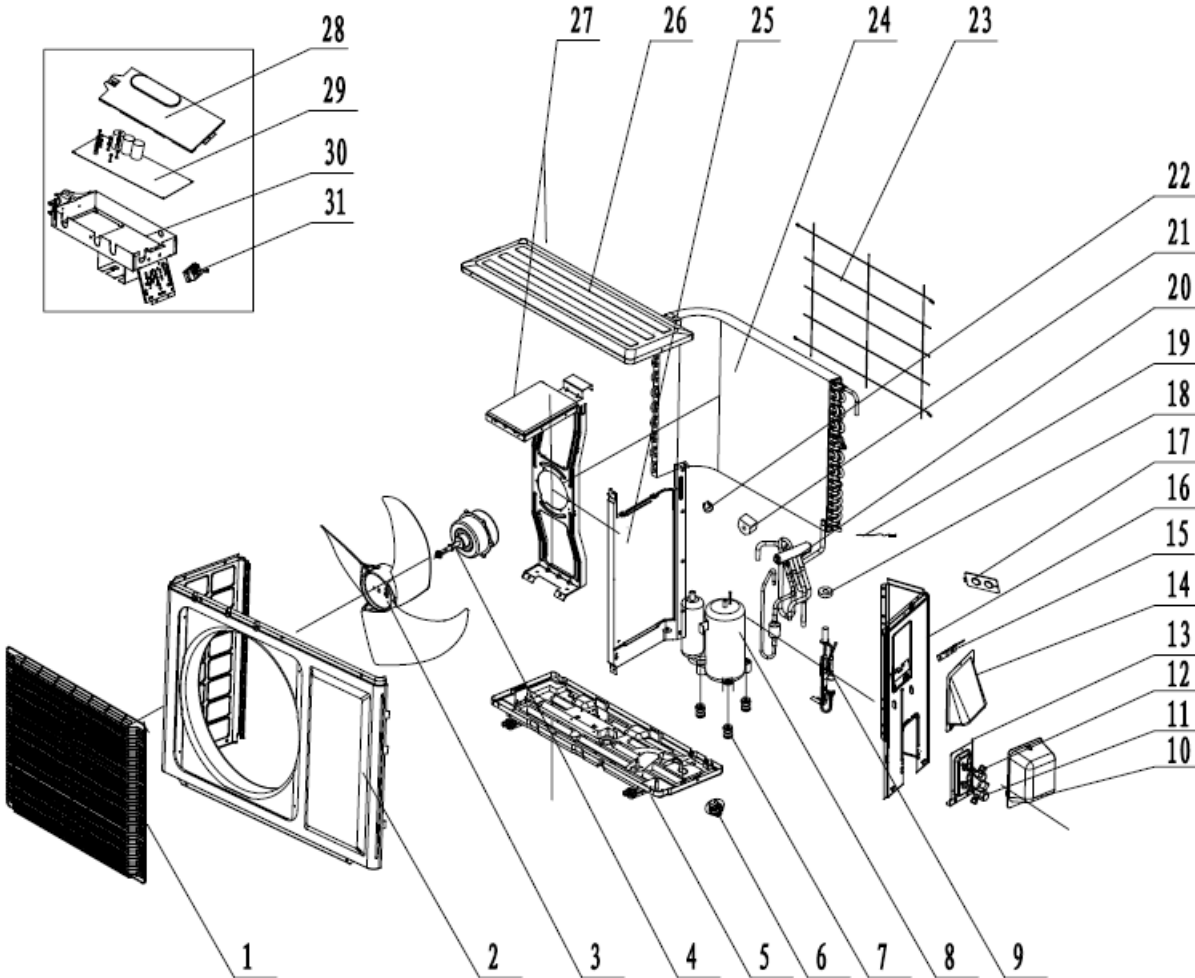


LIVS12HP115V1AH
12,000 BTUH 115v Indoor Unit
Product Code: GWH12QC-A3DNB2E/I

NO.	Part Code	Part Description	Qty
1	20000300018S	Front Panel B2	1
2	30565260	Display Board	1
Not Shown	11122468	Air Filter	2
3	00000200045	Front Case Assy	1
4	26112436	Helicoid Tongue	1
5	10512037	Left Axial Bushing	1
6	00000100093	Rear Case Assy	1
7	05230014	Drain Hose	1
8	26152022	Bearing Ring	1
9	7651205102	Bearing O-Gasket Sub-Assy	1
10	24212179	Evaporator Coil Support	1
12	0100297601	Evaporator Coil Assy	1
13	01252484	Wall Mounting Bracket	1
14	10352056	Cross Flow Fan	1
15	1501214605	Fan Motor	1
16	2611216401	Pipe Clamp	1
17	76712012	Drain Plug (Water Tray)	1
18	1521210701	Stepper Motor	1
19	73012005	Crank	1
20	10000203274	Electric Box Assy	1
21	10542036	Axial Bushing	1
22	42011233	Terminal Board	1
23	4202021917	Configuration Jumper Assy	1
24	30138000765	Main Control Board	1
25	0140206501	Electric Box Cover Sub-Assy	1
26	01592150	Electric Box Cover Shield Cover	1
27	2011220701	Electric Box Cover	1
31	30510475	Remote Controller (YAN1F1F)	1
Not Shown	26150009	Remote Controller Holder/Cradle	1
Not Shown	3900031302	Indoor Coil Temperature Sensor	1
Not Shown	3900031302	Ambient Temperature Sensor	1

LIVS12HP115V1AO

12,000 BTUH 115v Outdoor Unit



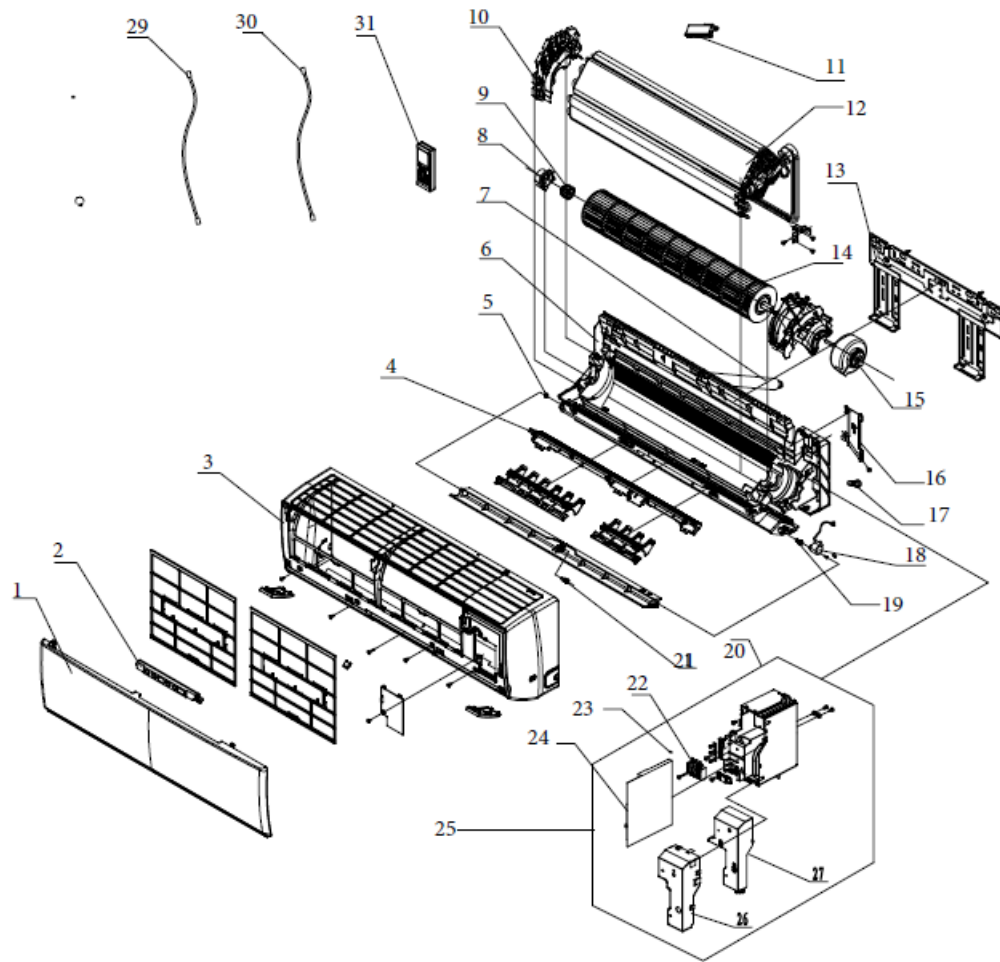
LIVS12HP115V1AO
12,000 BTUH 115v Outdoor Unit
Product Code: GWH12QC-A3DNA6E/O

NO.	Part Code	Part Description	Qty
1	01473012	Front Grille	1
2	0153304901	Front Panel Assy	1
3	10333004	Axial Flow Fan	1
4	1501308507	Fan Motor	1
5	0120388103P	Chassis Sub-Assy	1
6	06123401	Condensate Drain Connector	1
Not Shown	06813401	Condensate Drain Hole Plug	1
7	76710302	Compressor Grommets	3
8	00103862	Compressor	1
Not Shown	03700200692	Capillary Sub-Assy	1
10	2012300101	Valve Cover	1
11	07130239	1/4-in Liquid Line Valve	1
12	07100005	3/8-in Gas/Suction Valve	1
13	01713041	Valve Support	1
14	02123014P	Cable Cross Plate 2	1
15	02123013P	Cable Cross Plate 1	1
16	013030713	Right Side Plate Assy	1
17	01413069	Pass Wire Cover	1
19	39000310	Temperature Sensor Assy**	1
20	03073403	4-Way Valve Assy	1
Not Shown	430004022	4-Way Valve	1
21	4300040021	4-Way Valve Solenoid Coil	1
22	00180030	Compressor Overload Protector(External)	1
Not Shown	00183031	Compressor Overload Protector(External)	1
Not Shown	00183032	Compressor Overload Protector(External)	1
23	01473057	Rear Grille	1
24	01100200482	Condenser Coil Assy	1
25	01233034	Clapboard Sub-Assy	1
26	01253443	Top Cover Plate	1
28	0260309601	Electric Box Cover Sub-Assy	1
29	30138000863	Main Control Board	1
30	10000100611	Electric Box Assy	1
31	42010255	Terminal Board	1

** Temperature Sensor Assembly contains Discharge, Condenser Coil and Ambient sensors.

LIVS12HP230V1AH

12,000 BTUH 208/230v Indoor Unit



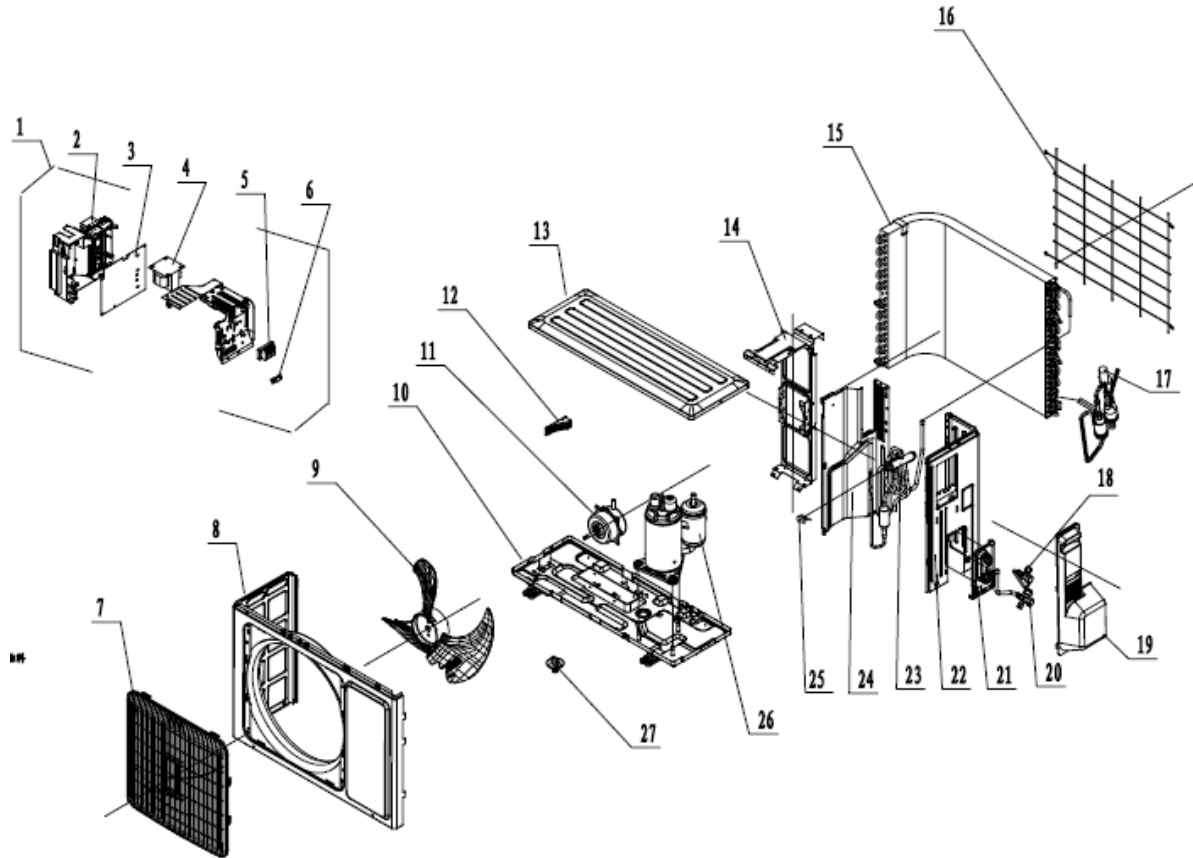
LIVS12HP230V1AH
12,000 BTUH 208/230v Indoor Unit
Product Code: GWH12QC-D3DNB2E/I

NO.	Part Code	Part Description	Qty
1	27230003183	Front Panel B2	1
2	30565260	Display Board	1
Not Shown	11122468	Air Filter	2
3	00000200045	Front Case Assy	1
4	26112436	Helicoid Tongue	1
5	10512037	Left Axial Bushing	1
6	00000100093	Rear Case Assy	1
7	05230014	Condensate Drain Hose	1
8	26152022	Bearing Ring	1
9	7651205102	Bearing O-Gasket Sub-Assy	1
10	24212179	Evaporator Coil Support	1
12	0100297601	Evaporator Coil Assy	1
13	01252484	Wall Mounting Bracket	1
14	10352056	Cross flow Blower Wheel	1
15	1501214604	Fan Motor	1
16	2611216401	Pipe Clamp	1
17	76712012	Condensate Plug (Water Tray)	1
18	1521210701	Stepper Motor	1
19	73012005	Crank	1
20	10000202315_L30002	Electric Box Assy	1
21	10542036	Axial Bushing	1
22	42011233	Terminal Board	1
23	4202021917	Configuration Jumper Assy	1
24	30138000656	Main Control Board	1
25	0140206501	Electric Box Cover Sub-Assy	1
26	01592150	Electric Box Cover Shield	1
27	2011220701	Electric Box Cover	1
29	4002052316	Connecting Cable	1
31	30510475	Remote Controller (YAN1F1F)	1
Not Shown	26150009	Remote Controller Holder/Cradle	1
Not Shown	MC207059	XK-41 Tether Wired Controller**	1
Not Shown	3900031302	Ambient Temperature Sensor	1
Not Shown	3900031302	Indoor Coil Temperature Sensor	1

** Sold Separately

LIVS12HP230V1AO

12,000 BTUH 208/230v Outdoor Unit



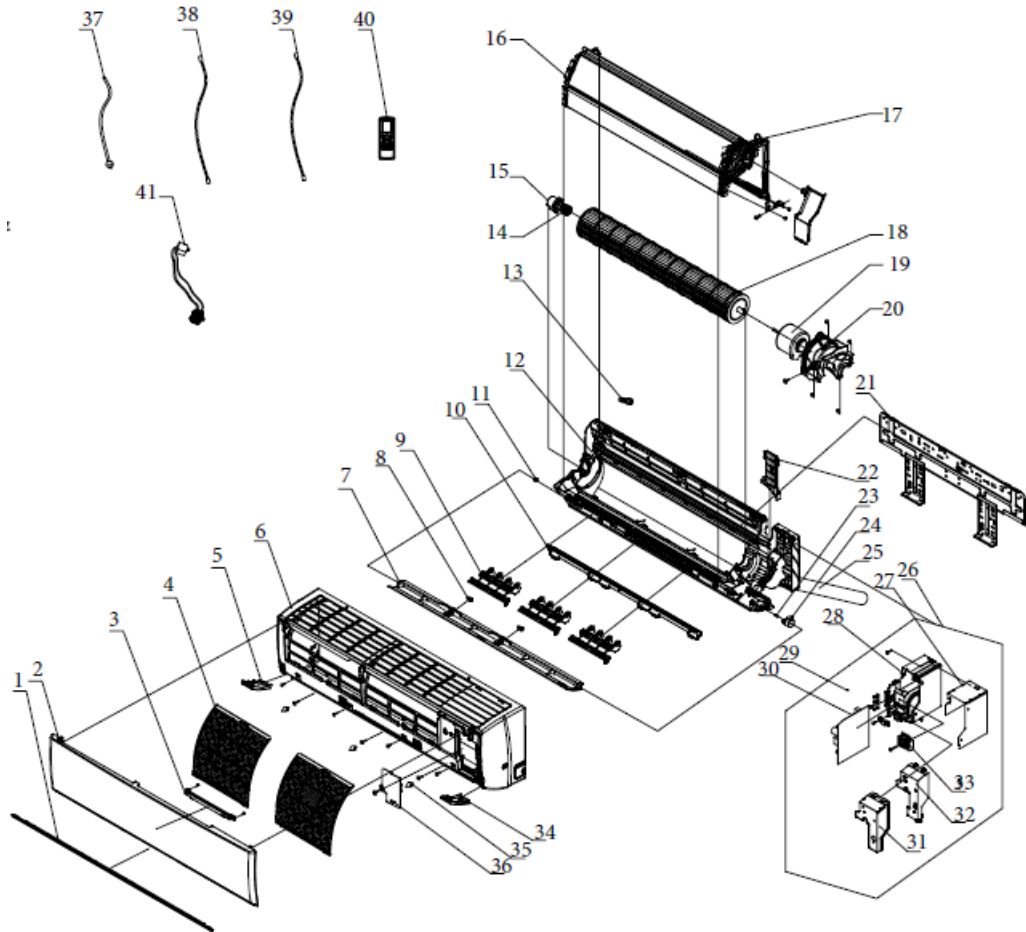
LIVS12HP230V1AO
12,000 BTUH 208/230v Outdoor Unit
Product Code: GWH12QC-D3DNA6E/O

NO.	Part Code	Part Description	Qty
1	10000100291_L30002	Electric Box Assy	1
2	10000500130	Electric Box Sub-Assy	1
3	30138000677	Main Control Board	1
4	43130184	Reactor	1
5	42010313	Terminal Board	1
6	71010103	Wire Clamp	2
7	01473012	Front Grille	1
8	0000030001504	Front Panel Assy	1
9	10333004	Axial Flow Fan	1
10	01700000081P	Chassis Sub-Assy	1
11	1501306723	Fan Motor	1
12	26233100	Small Handle	1
13	01253073	Top Cover Sub-Assy	1
14	0170310401	Motor Support	1
15	01100200346	Condenser Coil Assy	1
16	01473009	Rear Grille	1
18	07133082	1/4-in Liquid Line Valve	1
20	071302391	3/8-in Gas/Suction Valve	1
21	0171314201P	Valve Support	1
22	013030713	Right Side Plate Assy	1
23	03073277	4-Way Valve Assy	1
Not Shown	430004022	4-Way Valve	1
24	0123338502	Clapboard Sub-Assy	1
25	4300040050	4-Way Valve Solenoid Coil	1
26	00103892	Compressor	1
Not Shown	00183114	Compressor Overload Protector(External)	1
Not Shown	00183111	Compressor Overload Protector(External)	1
Not Shown	03700200528	Capillary Sub-Assy	1
27	06123401	Condensate Drain Connector	1
Not Shown	06813401	Condensate Drain Hole Plug	1
Not Shown	3900030805	Temperature Sensor Assy **	1

** Temperature Sensor Assembly contains Discharge, Condenser Coil and Ambient sensors.

LIVS18HP230V1AH

18,000 BTUH 208/230v Indoor Unit



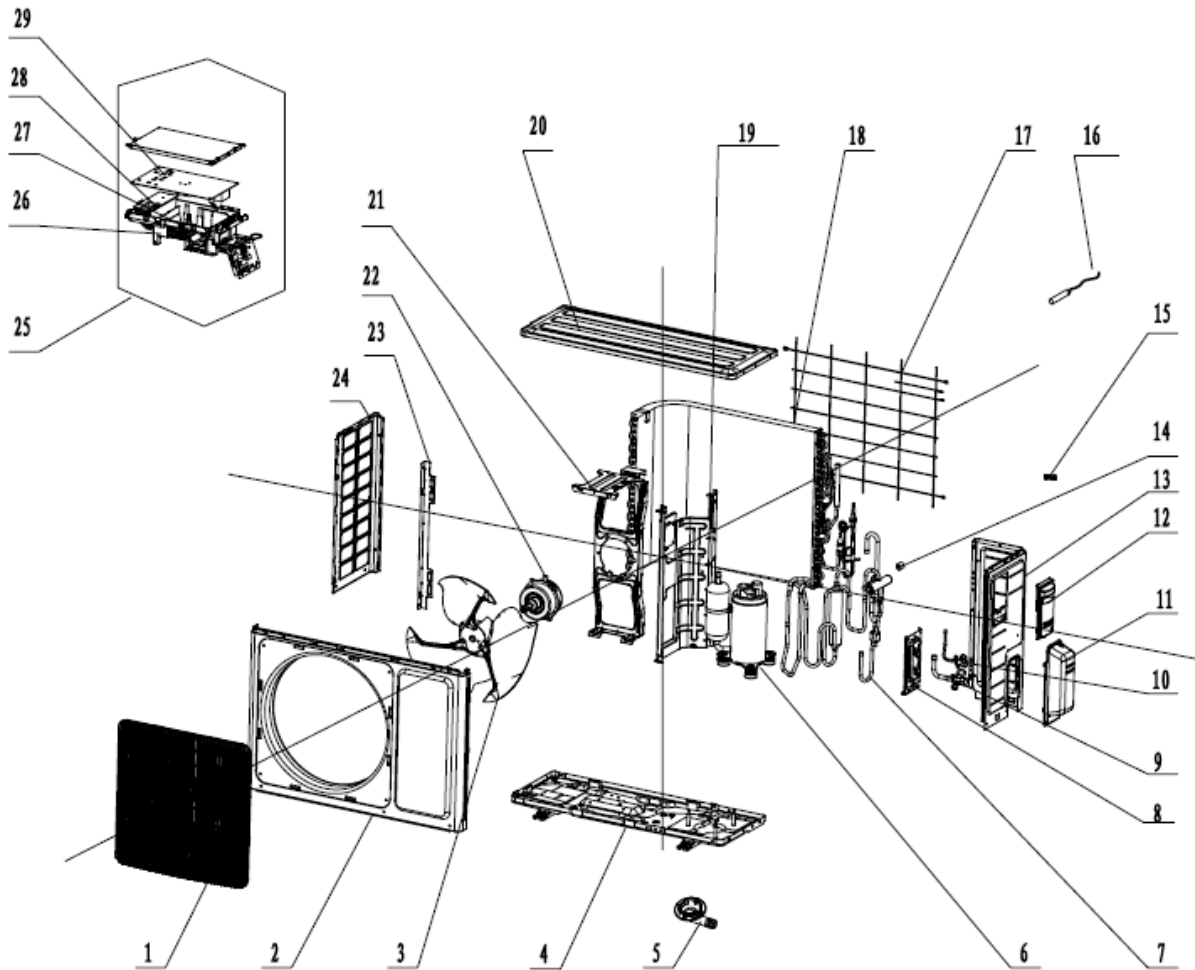
LIVS18HP230V1AH
18,000 BTUH 208/230v Indoor Unit
Product Code: GWH18QD-D3DNB2E/I

NO.	Part Code	Part Description	Qty
2	27230003186	Front Panel	1
3	30565260	Display Board	1
4	11122089	Air Filter	2
5	20192662	Decorative Band	1
6	0000200042	Front Case Assy	1
7	1051276501	Guide Louver	1
8	10542036	Axial Bushing	2
9	10512732	Air Louver	3
10	26112512	Helicoid Tongue	1
11	10512037	Left Axial Bushing	1
12	22202571	Rear Case Assy	1
13	76712012	Condensate Plug (Water Tray)	1
14	7651205102	Bearing O-Gasket Sub-Assy	1
15	26152025	Bearing Ring	1
16	24212177	Evaporator Coil Support	1
17	0100200001401	Evaporator Coil Assy	1
18	10352060	Cross flow Blower Wheel	1
19	1501214503	Fan Motor	1
20	26112511	Motor Bracket	1
21	01362026	Wall Mounting Bracket	1
22	2611218801	Pipe Clamp	1
23	73012005	Crank	1
24	1521240212	Stepper Motor	1
25	05230014	Condensate Drain Hose	1
26	10000202305_L30002	Electric Box Assy	1
27	01592139	Electric Box Lower Shield	1
28	2011221102	Electric Box	1
29	4202021919	Configuration Jumper Assy	1
30	30138000662	Main Control Board	1
31	01592176	Electric Box Shield Cover	1
32	2011220901	Electric Box Cover	1
33	42011233	Terminal Board	1
35	2425201726	Cover Screw	3
36	2011221001	Electric Box Cover 2	1
38	4002052316	Connecting Cable	1
40	30510475	Remote Controller (YAN1F1F)	1
Not Shown	26150009	Remote Controller Holder/Cradle	1
Not Shown	MC207059	XK-41 Tether Wired Controller**	1
Not Shown	3900031302	Ambient Temperature Sensor	1
Not Shown	3900031302	Indoor Coil Temperature Sensor	1

** Sold Separately

LIVS18HP230V1AO

18,000 BTUH 208/230v Outdoor Unit



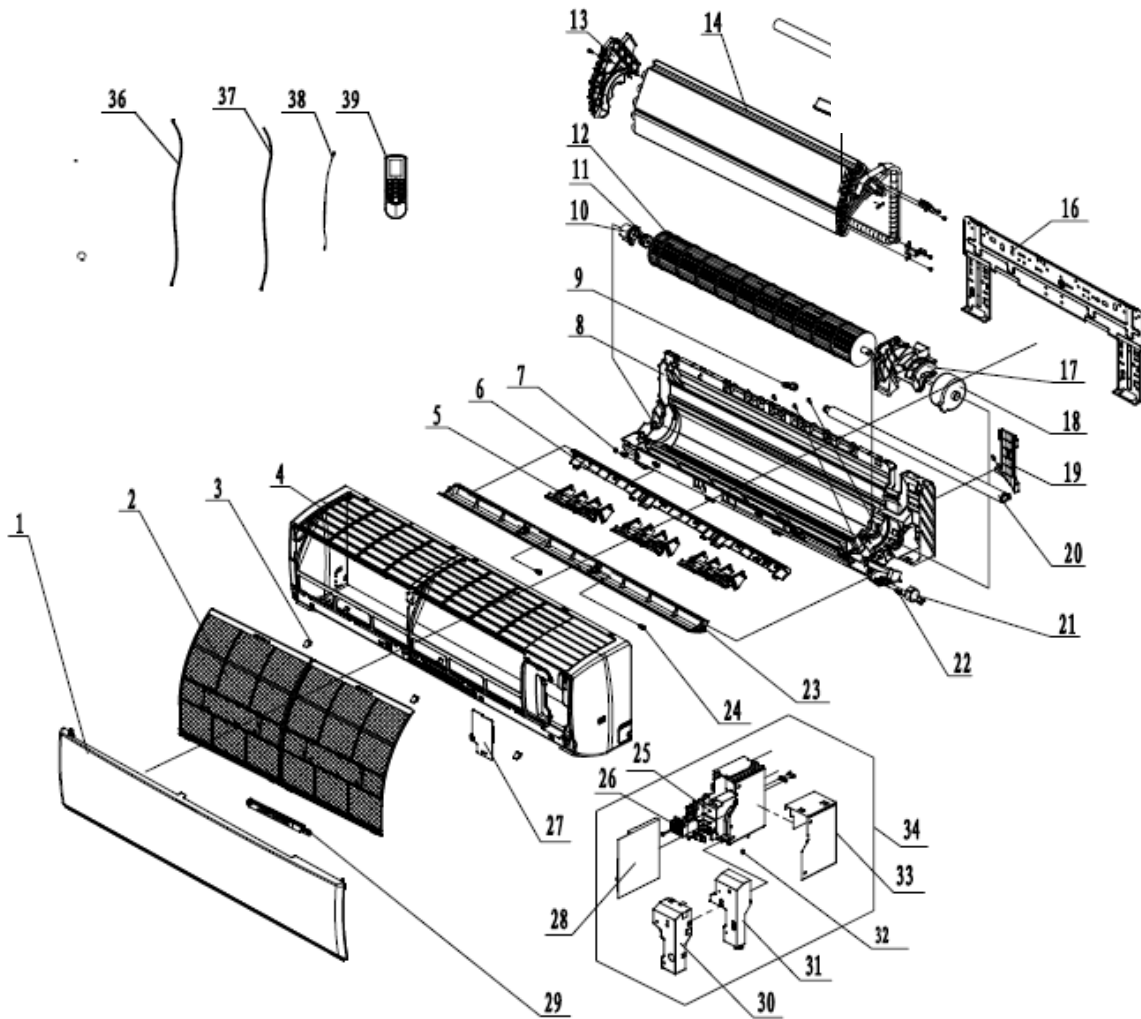
LIVS18HP230V1AO
18,000 BTUH 208/230v Outdoor Unit
Product Code: GWH18QD-D3DNA6E/O

NO.	Part Code	Part Description	Qty
1	01473049	Front Grille	1
2	0000030002401	Front Panel Assy	1
3	10335008	Axial Flow Fan	1
4	01700000093P	Chassis Sub-Assy	1
Not Shown	06123401	Condensate Drain Connector	1
5	06813401	Condensate Drain Hole Plug	1
Not Shown	03700200521	Capillary Sub-Assy	1
6	00105249G	Compressor	1
Not Shown	00180030	Compressor Overload Protector(External)	1
Not Shown	00183051	Compressor Overload Protector(External)	1
Not Shown	00183032	Compressor Overload Protector(External)	1
Not Shown	76710247	Compressor Grommet	3
7	03073366	4-Way Valve Assy	1
Not Shown	430004032	4-Way Valve	1
8	01715010P	Valve Support Assy	1
Not Shown	07130239	1/4-in Liquid Line Valve	1
Not Shown	071302392	1/2-in Gas/Suction Valve	1
9	07133774	Cut off Valve Assy 1/2-in	1
10	07133204	Cut off Valve Assy 1/4-in	1
11	22245002	Valve Cover	1
12	02113109	Handle Assy	1
13	0130329202	Right Side Plate Assy	1
14	4300040045	4-Way Valve Solenoid Coil	1
15	26115004	Wiring Clamp	1
16	3900030901	Temperature Sensor**	1
17	01473043	Rear Grille	1
18	01100200339	Condenser Coil Assy	1
19	01232902	Clapboard Sub-Assy	1
20	01255005P	Top Panel	1
21	01703154	Motor Support Sub-Assy	1
22	1501506402	Fan Motor	1
23	01173127	Condenser Coil Support	1
24	01305093P	Left Side Plate	1
25	10000100288_L30002	Electric Box Assy	1
26	20113027	Electric Box	1
27	42010255	Terminal Board	1
28	49010252	Heat Sink/Radiator	1
Not Shown	43120132	PFC Inductor	1
29	30138000685	Main Control Board	1

** Temperature Sensor Assembly contains Discharge, Condenser Coil and Ambient sensors.

LIVS24HP230V1AH

24,000 BTUH 208/230v Indoor Unit



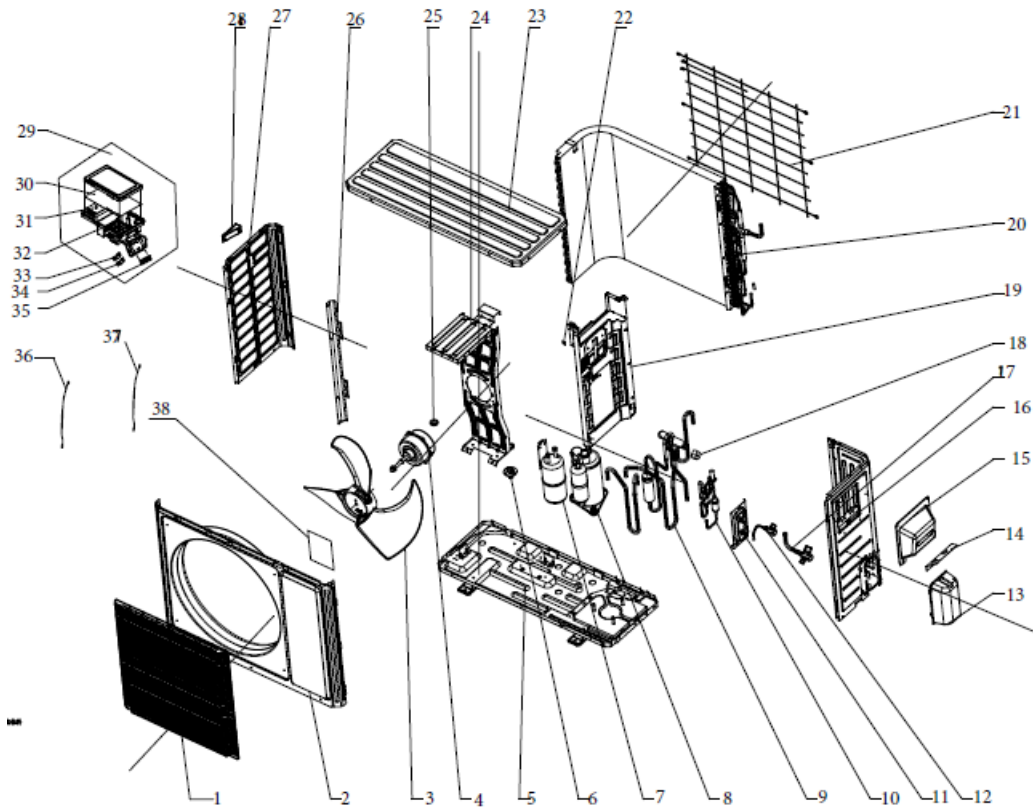
LIVS24HP230V1AH
24,000 BTUH 208/230v Indoor Unit
Product Code: GWH24QE-D3DNB2E/I

NO.	Part Code	Part Description	Qty
1	27230003194	Front Panel B2	1
2	11012007	Air Filter	2
3	2425245301	Cover Screw	3
4	00000200057	Front Case Assy	1
5	10512737	Air Louver	3
6	26112382	Helicoid Tongue Sub-Assy	1
7	10512037	Left Axial Bushing	1
8	22202570	Rear Case Assy	1
9	76712012	Condensate Plug (Water Tray)	1
10	26152025	Bearing Ring	1
11	7651205102	Bearing O-Gasket Sub-Assy	1
12	10352057	Cross flow Blower Wheel	1
13	24212178	Evaporator Coil Support	1
14	01100100029	Evaporator Coil Assy	1
16	01252229	Wall Mounting Bracket	1
17	26112515	Motor Bracket	1
18	1501214501	Fan Motor	1
19	26112514	Pipe Clamp	1
20	0523001405	Condensate Drain Hose	1
21	1521240212	Stepper Motor	1
22	73012005	Crank	1
23	1051232001	Guide Louver	1
24	10542036	Axial Bushing	2
25	2011221102	Electric Box	1
26	42011233	Terminal Board	1
27	2011221001	Electric Box Cover2	1
28	30138000658	Main Control Board	1
29	30565260	Display Board	1
30	01592176	Electric Box Shield Cover	1
31	2011220901	Electric Box Cover	1
32	4202021926	Configuration Jumper Assy	1
33	01592139	Electric Box Lower Shield	1
34	10000202338_L30002	Electric Box Assy	1
36	4002052316	Connecting Cable	1
37	3900031302	Ambient Temperature Sensor	1
38	3900031302	Indoor Coil Temperature Sensor	1
39	30510475	Remote Controller (YAN1F1F)	1
Not Shown	26150009	Remote Controller Holder/Cradle	1
Not Shown	MC207059	XK-41 Tether Wired Controller**	1

** Sold Separately

LIVS24HP230V1AO

24,000 BTUH 208/230v Outdoor Unit



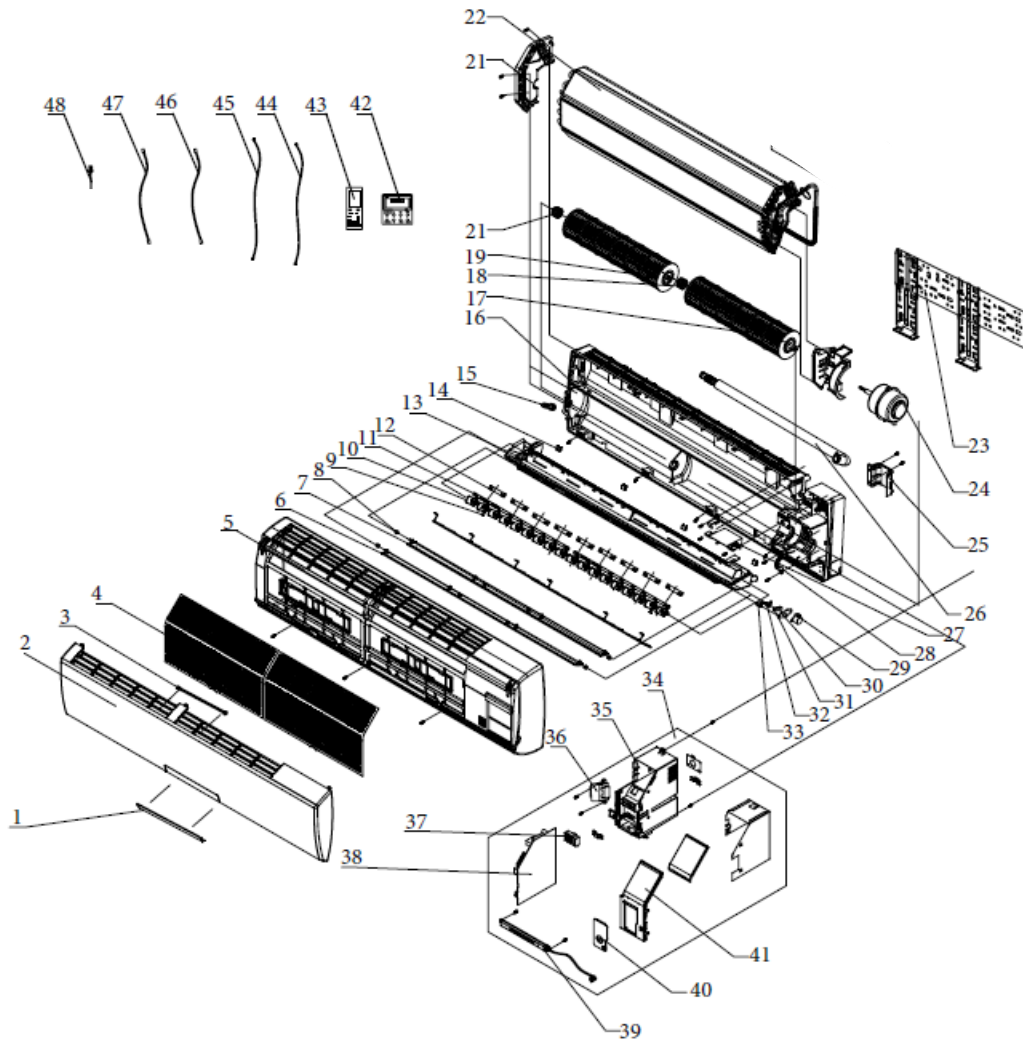
LIVS24HP230V1AO
24,000 BTUH 208/230v Outdoor Unit
Product Code: GWH24QE-D3DNA6E/O

NO.	Part Code	Part Description	Qty
1	01473043	Rear Grille	1
2	0000030002401	Front Panel Assy	1
3	10335008	Axial Flow Fan	1
4	1501506402	Fan Motor	1
5	0280336702P	Chassis Sub-Assy	1
6	06813401	Condensate Drain Hole Plug	1
7	07223048	Gas-Liquid Separator	1
Not Shown	03700200535	Capillary Sub-Assy	1
8	00105249G	Compressor	1
Not Shown	00180030	Compressor Overload Protector(External)	1
Not Shown	00183051	Compressor Overload Protector(External)	1
Not Shown	00183032	Compressor Overload Protector(External)	1
Not Shown	76710247	Compressor Grommet	3
9	03073324	4-Way Valve Assy	1
Not Shown	430004032	4-Way Valve	1
11	01713098P	Valve Support Sub-Assy	1
12	07130239	1/4-in Liquid Line Valve	1
13	22245002	Valve Cover	1
14	02115006P	Retaining Plate	1
15	02113109	Handle Assy	1
16	0130329202	Right Side Plate Assy	1
17	07133157	5/8-in Gas/Suction Valve	1
18	4300040045	4-Way Valve Solenoid Coil	1
19	0123315301	Clapboard Assy	1
20	01100200347	Condenser Coil Assy	1
21	01473049	Front Grille	1
22	26115004	Wiring Clamp	1
23	01255005P	Top Panel	1
24	0170512001	Motor Support Sub-Assy	1
25	06123401	Condensate Drain Connector	1
26	01173415	Condenser Support Plate	1
27	01305093P	Left Side Plate	1
28	none	Left Handle	0
29	10000100294_L30002	Electric Box Assy	1
30	30138000673	Main Control Board	1
31	49010252	Heat Sink/Radiator	1
Not Shown	43120132	PFC Inductor	1
32	20113027	Electric Box	1
33	71010103	Wire Clamp	1
34	71010103	Wire Clamp	1
35	42010255	Terminal Board	1
36	3900030901	Temperature Sensor**	1
38	20113003	Electric Box Cover Insulated Board	1

** Temperature Sensor Assembly contains Discharge, Condenser Coil and Ambient sensors.

LIVS30HP230V1AH

30,000 BTUH 208/230v Indoor Unit



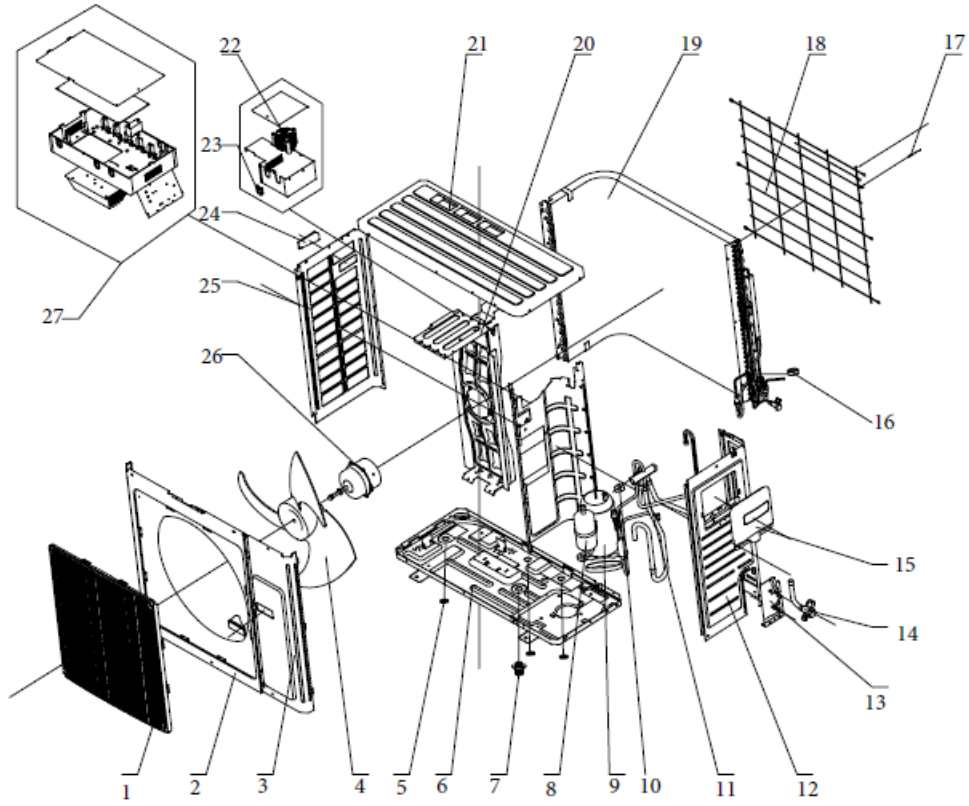
LIVS30HP230V1AH
30,000 BTUH 208/230v Indoor Unit
Product Code: GWH30LB-D3DNB2F/I

NO.	Part Code	Part Description	Qty
2	20000300022S	Front Panel	1
3	2421212001	Kick Stand Bar	1
4	11122106	Air Filter	2
5	20900700005	Front Case Sub-Assy	1
6	1051216601	Upper Guide Louver	1
7	1051216701	Lower Guide Louver	1
8	10542704	Axial Bushing	6
9	1051216902	Air Louver 2	2
10	1051216802	Air Louver 1	16
11	10582086	Connecting Rod	2
12	26112158	Louver Clamp	9
13	00007000015	Water Tray Sub-Assy	1
14	2425200506	Cover Screw	4
15	76712012	Condensate Plug (Water Tray)	1
16	00000100113	Rear Case Assy	1
17	10352039	Cross flow Blower Wheel 1	1
18	26152028	Bearing Holder Sub-Assy	1
19	10352040	Cross flow Blower Wheel 2	1
20	76512051	Bearing O-Gasket Sub-Assy	1
21	24212041	Left Evaporator Coil Support	1
22	01002000027	Evaporator Coil Assy	1
23	01252398	Wall Mounting Bracket	1
24	1501213401	Fan Motor	1
25	26112071	Pipe Clamp	1
26	0523001404	Condensate Drain Hose	1
27	2012212402	Cover Plate	1
28	26112324	Motor Clip 1	1
29	1521210701	Stepper Motor	1
30	26112070	Press Plate (Crank)	1
31	10582041	Crank Guide	1
32	10562004	Upper Crank	1
33	10562005	Lower Crank	1
34	10000203442	Electric Box Assy	1
35	201022502	Electric Box	1
37	42011233	Terminal Board	1
38	30138000192	Main Control Board	1
39	30565277	Display Board	1
41	2011204404S	Electric Box Cover	1
42	MC207059	XK-41 Tether Wired Controller**	1
43	30510475	Remote Controller (YAN1F1F)	1
Not Shown	26150009	Remote Controller Holder/Cradle	1
47	390000592	Indoor Coil Temperature Sensor	1
48	390000453	Ambient Temperature Sensor	1

** Sold Separately

LIVS30HP230V1AO

30,000 BTUH 208/230v Outdoor Unit



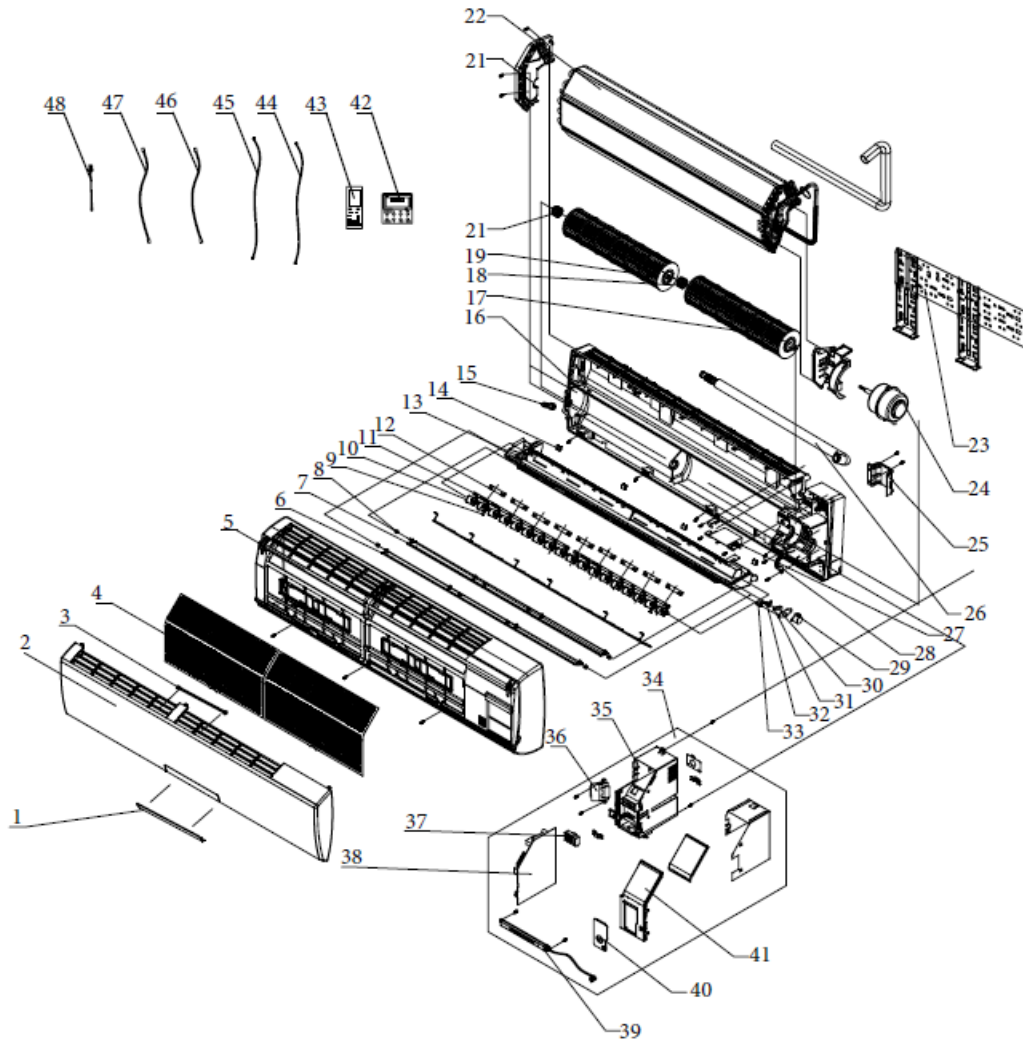
LIVS30HP230V1AO
30,000 BTUH 208/230v Outdoor Unit
Product Code: GWH30LB-D3DNA3E/O

NO.	Part Code	Part Description	Qty
1	01473050	Front Grille	1
2	0153501405	Front Panel Assy	1
3	01305086P	Front Side Plate	1
4	10335014	Axial Flow Fan	1
5	06813401	Condensate Drain Connector	1
6	02803101P	Chassis Sub-Assy	1
7	06813401	Condensate Drain Hole Plug	1
Not Shown	81028009	Capillary Sub-Assy	1
8	00105051	Compressor	1
Not Shown	00180030	Compressor Overload Protector(External)	1
Not Shown	00183051	Compressor Overload Protector(External)	1
Not Shown	00183032	Compressor Overload Protector(External)	1
Not Shown	76715022	Compressor Grommet	3
9	7651873209	Compressor Crankcase Heater	1
10	4300040029	4-Way Valve Solenoid Coil	1
11	03123895	4-Way Valve Assy	1
Not Shown	4300008201	4-Way Valve	1
12	0130504402P	Right Side Plate	1
13	0171501201P	Valve Support Sub-Assy	1
Not Shown	07130239	1/4-in Liquid Line Valve	1
14	07133157	5/8-in Gas/Suction Valve	1
15	02115005	Big Handle	1
Not Shown	07138807	Electric Expansion Valve	1
16	4300876703	Electronic Expansion Valve Solenoid Coil	1
17	3900031001	Temperature Sensor**	1
18	01475013	Rear Grille	1
19	01163509	Condenser Coil Assy	1
20	0180287601	Motor Support Sub-Assy	1
21	01255007	Top Cover Sub-Assy	1
23	76614102	Pass Wire Ring Sub-Assy	2
24	26235401	Left Handle	2
25	01305043P	Left Side Plate	1
26	15702802	Fan Motor	1
Not Shown	30148338	Main Control Board	1
Not Shown	43130192	Reactor	1
27	02613050	Electric Box Assy	1

** Temperature Sensor Assembly contains Discharge, Condenser Coil and Ambient sensors.

LIVS36HP230V1AH

36,000 BTUH 208/230v Indoor Unit



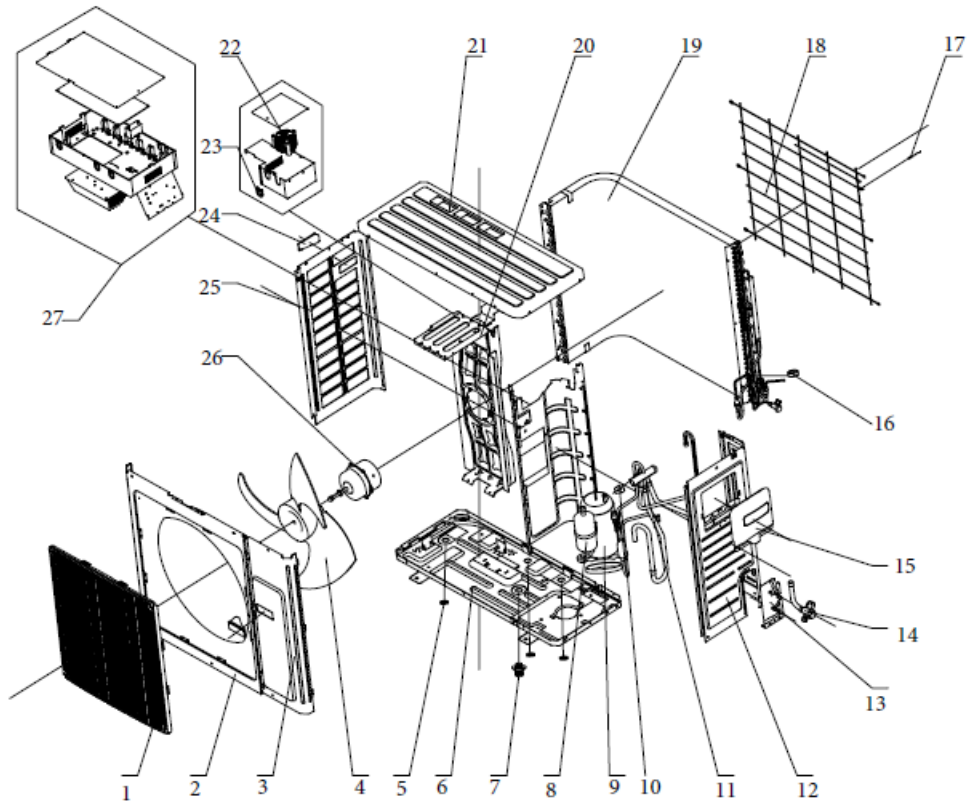
LIVS36HP230V1AH
36,000 BTUH 208/230v Indoor Unit
Product Code: GWH36LB-D3DNB2F/I

NO.	Part Code	Part Description	Qty
1	2243002401	Receiver Window	1
2	20000300022	Front Panel	1
4	11122106	Air Filter	2
5	20900700005	Front Case Sub-Assy	1
6	1051216601	Upper Guide Louver	1
7	1051216701	Lower Guide Louver	1
8	10542704	Axial Bushing	6
9	1051216902	Air Louver 2	2
10	1051216802	Air Louver 1	16
11	10582086	Connecting Rod	2
12	26112158	Louver Clamp	9
13	2018213802	Condensate Water Tray	1
14	2425200506	Cover Screw	4
15	76712012	Condensate Plug (Water Tray)	1
16	00000100113	Rear Case Assy	1
17	10352039	Cross flow Blower Wheel 1	1
18	26152028	Bearing Holder Sub-Assy	1
19	10352040	Cross flow Blower Wheel 2	1
20	76512051	Bearing O-Gasket Sub-Assy	1
21	24212041	Left Evaporator Coil Support	1
22	01002000027	Evaporator Coil Assy	1
23	01252398	Wall Mounting Bracket	1
24	1501213401	Fan Motor	1
25	26112071	Pipe Clamp	1
26	0523001404	Condensate Drain Hose	1
27	2012212402	Cover Plate	1
29	1521210701	Stepper Motor	1
30	26112070	Press Plate (Crank)	1
31	10582041	Crank-Guide	1
32	10562004	Upper Crank	1
33	10562005	Lower Crank	1
34	10000203443	Electric Box Assy	1
35	201022502	Electric Box	1
37	42011233	Terminal Board	1
38	30138000192	Main Control Board	1
39	30565277	Display Board	1
41	2011204404S	Electric Box Cover	1
42	MC207059	XK-41 Tether Wired Controller**	1
43	30510475	Remote Controller (YAN1F1F)	1
Not Shown	26150009	Remote Controller Holder/Cradle	1
47	390000592	Indoor Coil Temperature Sensor	1
48	390000453	Ambient Temperature Sensor	1

** Sold Separately

LIVS36HP230V1AO

36,000 BTUH 208/230v Outdoor Unit



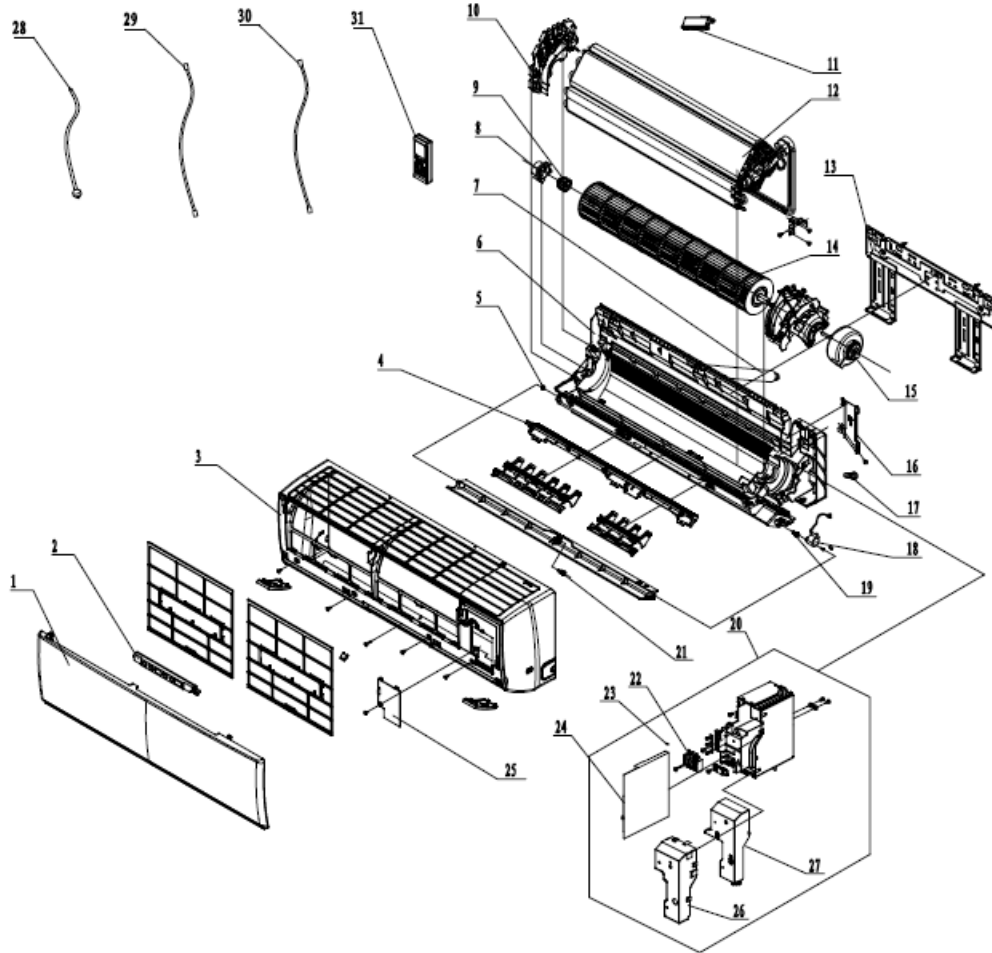
LIVS36HP230V1AO
36,000 BTUH 208/230v Outdoor Unit
Product Code: GWH36LB-D3DNA3E/O

NO.	Part Code	Part Description	Qty
1	01473050	Front Grille	1
2	0153501405	Front Panel Assy	1
3	01305086P	Front Side Plate	1
4	10335014	Axial Flow Fan	1
5	06813401	Condensate Drain Plug	1
6	02803026P	Chassis Sub-Assy	1
7	06123401	Condensate Drain Connector	1
8	00205275	Compressor	1
Not Shown	00185012	Compressor Overload Protector(External)	1
Not Shown	76710207	Compressor Grommet	3
9	7651873209	Compressor Crankcase Heater	1
10	4300040029	4-Way Valve Solenoid Coil	1
11	03123890	4-Way Valve Assy	1
Not Shown	43000338	4-Way Valve	1
12	0130504402P	Right Side Plate	1
13	0171501201P	Valve Support Sub-Assy	1
Not Shown	07130239	1/4-in Liquid Line Valve	1
14	07133157	5/8-in Gas/Suction Valve	1
15	02115005	Big Handle	1
Not Shown	07138807	Electronic Expansion Valve	1
16	4300876703	Electronic Expansion Valve Solenoid Coil	1
17	3900031001	Temperature Sensor**	1
18	01475013	Rear Grille	1
19	01163491	Condenser Coil Assy	1
20	01802876	Motor Support Sub-Assy	1
21	01255007	Top Cover Sub-Assy	1
23	76614102	Pass Wire Ring Sub-Assy	2
24	26235401	Left Handle	2
25	01305043P	Left Side Plate	1
26	1570280205	Fan Motor	1
Not Shown	30148360	Main Control Board	1
Not Shown	43130192	Reactor	1
27	02613030_L36395	Electric Box Assy	1

** Temperature Sensor Assembly contains Discharge, Condenser Coil and Ambient sensors.

LIVS09HP115V1BH

9,000 BTUH 115v Indoor Unit

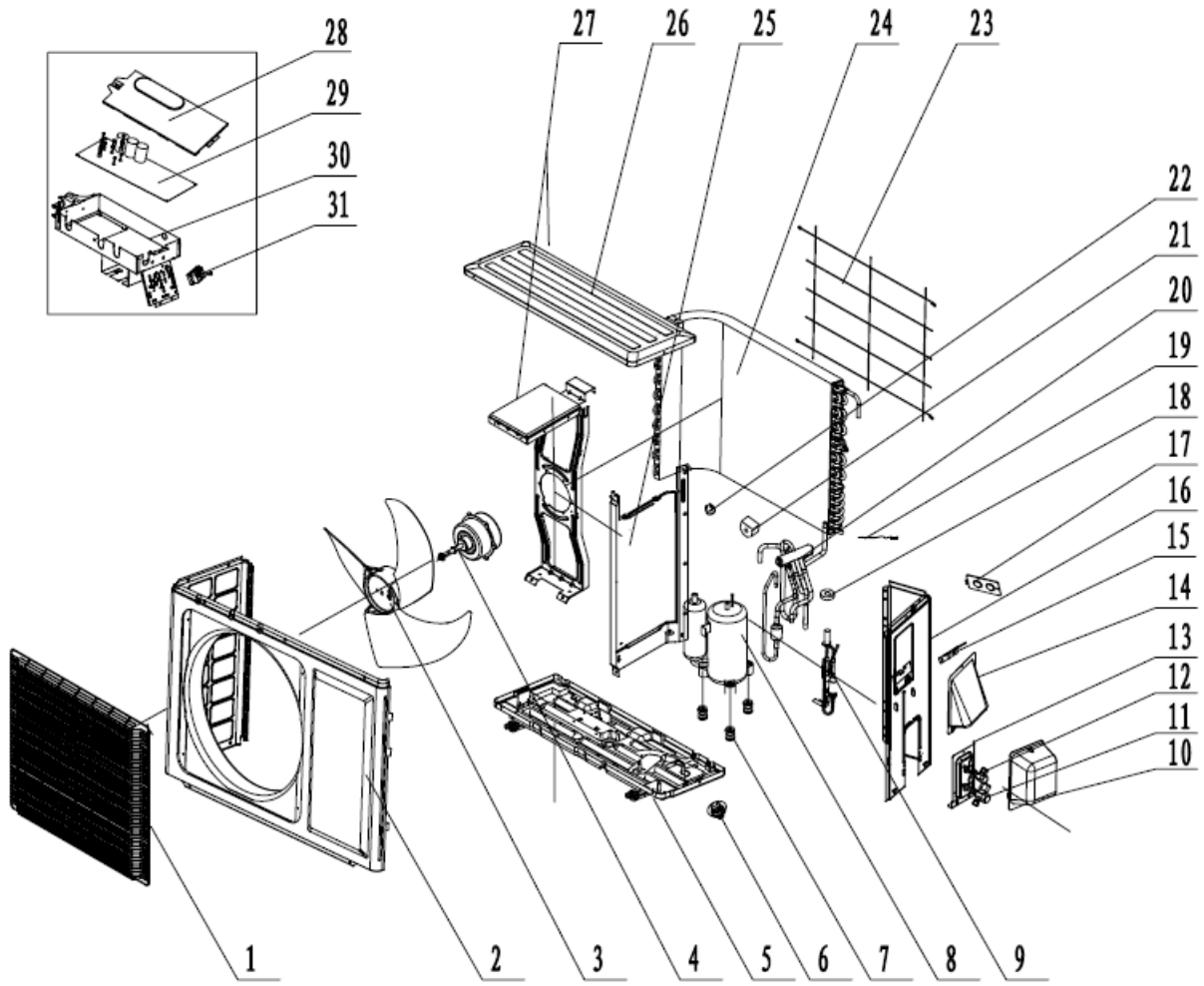


LIVS09HP115V1BH
9,000 BTUH 115v Indoor Unit
Product Code: GWH09QB-A3DNB2E/I

NO.	Part Code	Part Description	Qty
1	20000300019S	Front Panel	1
2	30565260	Display Board	1
Not Shown	11122219	Air Filter	2
3	00000200040	Front Case Assy	1
4	26112508	Helicoid Tongue	1
5	10512037	Left Axial Bushing	1
6	00000100066	Rear Case Assy	1
7	0523001408	Drainage Hose	1
8	26152022	Ring of Bearing	1
9	7651205102	Bearing O-Gasket Sub-Assy	1
10	24212180	Evaporator Coil Support	1
12	0100200004407	Evaporator Coil Assy	1
13	01252043	Wall Mounting Bracket	1
14	10352059	Cross Flow Fan	1
15	1501208902	Fan Motor	1
16	2611216401	Pipe Clamp	1
17	76712012	Brain Plug (Water Tray)	1
18	1521212901	Stepper Motor	1
19	73012005	Crank	1
20	100002016020	Electric Box Assy	1
21	10542036	Axial Bushing	1
22	42011233	Terminal Board	1
23	4202021911	Configuration Jumper Assy	1
24	300002000307	Main Control Board	1
25	0140206501	Electric Box Cover Sub-Assy	1
26	01592150	Electric Box Cover Shield Cover	1
27	2011220701	Electric Box Cover	1
31	30510475	Remote Controller (YAN1F1F)	1
Not Shown	26150009	Remote Controller Holder/Cradle	1
Not Shown	3900031302	Indoor Coil Temperature Sensor	1
Not Shown	3900031302	Ambient Temperature Sensor	1

LIVS09HP115V1BO

9,000 BTUH 115v Outdoor Unit



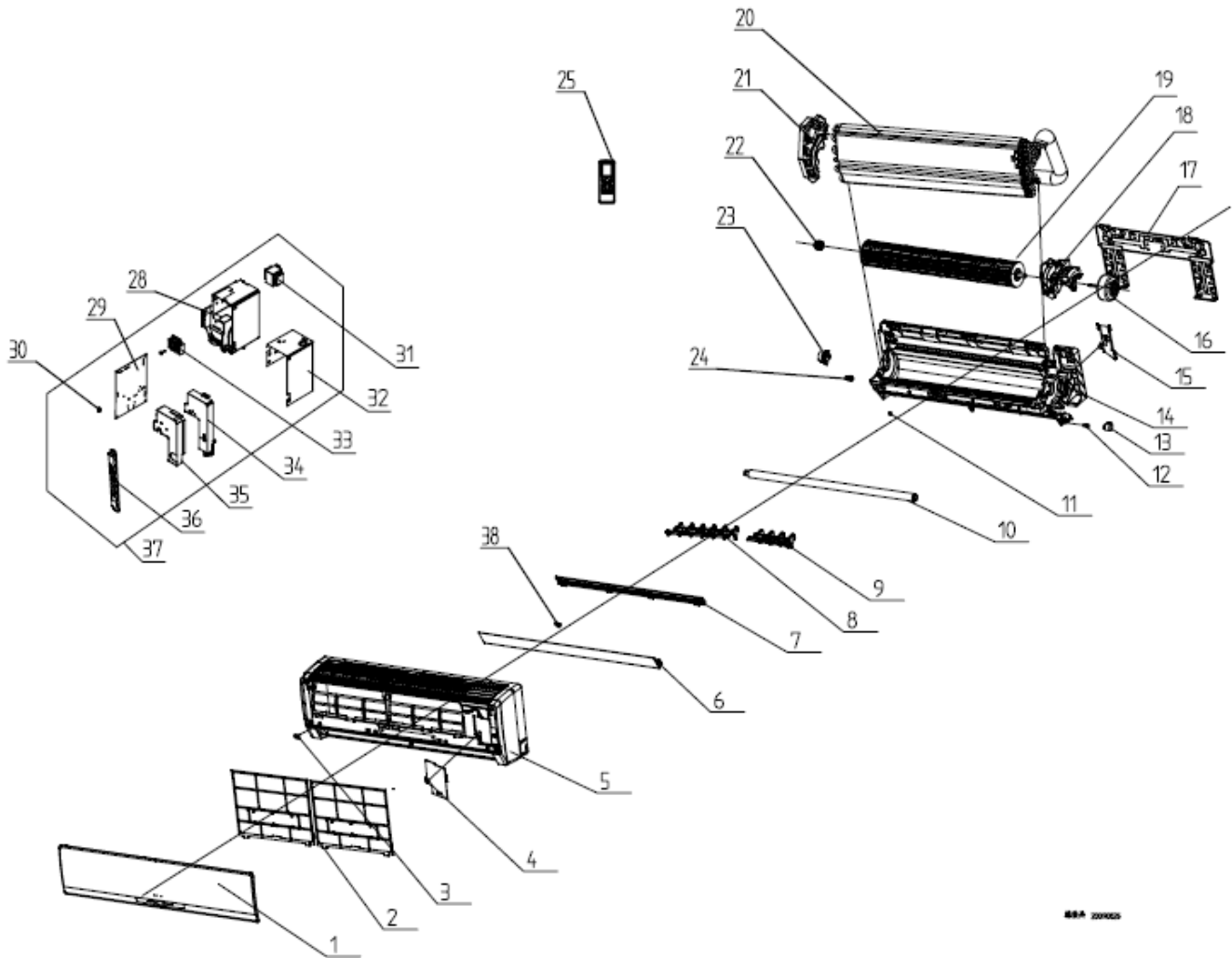
LIVS09HP115V1BO
9,000 BTUH 115v Outdoor Unit
Product Code: GWH09QB-A3DNA6E/O

NO.	Part Code	Part Description	Qty
1	01473012	Front Grille	1
2	0153304901	Front Panel Assy	1
3	10333004	Axial Flow Fan	1
4	1501308507	Fan Motor	1
5	0120388105P	Chassis Sub-Assy	1
6	06123401	Condensate Drain Connector	1
Not Shown	06813401	Condensate Drain Hole Plug	1
7	76710302	Compressor Grommet	3
8	00103862	Compressor	1
Not Shown	03700200543	Capillary Sub-Assy	1
10	2012300101	Valve Cover	1
11	07100003	1/4-in Liquid Line Valve	1
12	07100005	3/8-in Gas/Suction Valve	1
13	01713041	Valve Support	1
14	02123014P	Cable Cross Plate 2	1
15	02123013P	Cable Cross Plate 1	1
16	013030713	Right Side Plate Assy	1
17	01413069	Pass Wire Cover	1
19	39000310	Temperature Sensor Assy **	1
20	03073403	4-Way Valve Assy	1
Not Shown	430004022	4-Way Valve	1
21	4300040021	4-Way Valve Solenoid Coil	1
22	00180030	Compressor Overload Protector(External)	1
Not Shown	00183031	Compressor Overload Protector(External)	1
Not Shown	00183032	Compressor Overload Protector(External)	1
23	01473057	Rear Grille	1
24	01100200497	Condenser Coil Assy	1
25	01233034	Clapboard Sub-Assy	1
26	0125344311P	Top Cover Plate	1
28	0260309601	Electric Box Cover Sub-Assy	1
29	30138000865	Main Control Board	1
30	10000100609	Electric Box Assy	1
31	42010255	Terminal Board	1

** Temperature Sensor Assembly contains Discharge, Condenser Coil and Ambient sensors.

LIVS09HP230V1BH

9,000 BTUH 208/230v Indoor Unit



884 208025

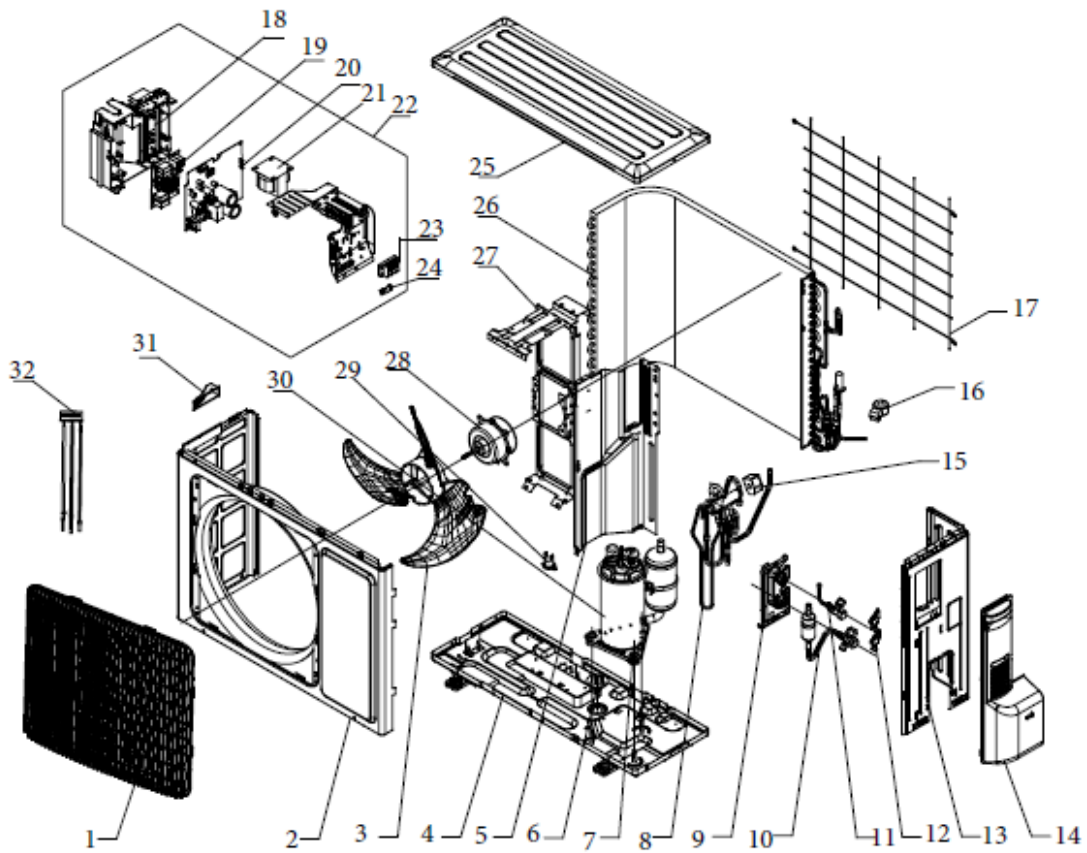
LIVS09HP230V1BH
9,000 BTUH 208/230v Indoor Unit
Product Code: GWH09QB-D3DNB2E/I

NO.	Part Code	Part Description	Qty
1	20000300019S	Front Panel	1
2	11122219	Air Filter	2
3	2425203001	Cover Screw	1
4	2011220701	Electric Box Cover 2	1
5	00000200040	Front Case Assy	1
6	1051276301	Guide Louver	1
7	26112508	Helicoid Tongue	1
8	10512719	Swing Louver	1
9	10512721	Swing Louver	1
10	0523001408	Condensate Drain Hose	1
11	10512037	Left Axial Bushing	1
12	73012005	Crank	1
13	1521212901	Stepper Motor	1
14	00000100066	Rear Case Assy	1
15	2611216401	Pipe Clamp	1
16	1501208905	Fan Motor	1
17	01252043	Wall Mounting Bracket	1
18	26112373	Motor Bracket	1
19	10352059	Cross flow Blower Wheel	1
20	0100200004407	Evaporator Coil Assy	1
21	24212180	Evaporator Coil Support	1
22	7651205102	Bearing O-Gasket Sub-Assy	1
23	26152022	Bearing Ring	1
24	76712012	Condensate Drain Plug (Water Tray)	1
25	30510475	Remote Controller (YAN1F1F)	1
Not Shown	26150009	Remote Controller Holder/Cradle	1
Not Shown	MC207059	XK-41 Tether Wired Controller**	1
28	2011220601	Electric Box	1
29	300002000309	Main Control Board	1
30	4202021911	Configuration Jumper Assy	1
31	4311031501	High Frequency Transformer	1
33	42011233	Terminal Board	1
34	01592150	Electric Box Shield Cover	1
35	01592168	Electric Box Shield Cover	1
36	30565260	Display Board	1
37	10000203822	Electric Control Box Assy	1
38	10542036	Axial Bushing	1
Not Shown	3900031302	Ambient Temperature Sensor	1
Not Shown	3900031302	Indoor Coil Temperature Sensor	1

** Sold Separately

LIVS09HP230V1BO

9,000 BTUH 208/230v Outdoor Unit



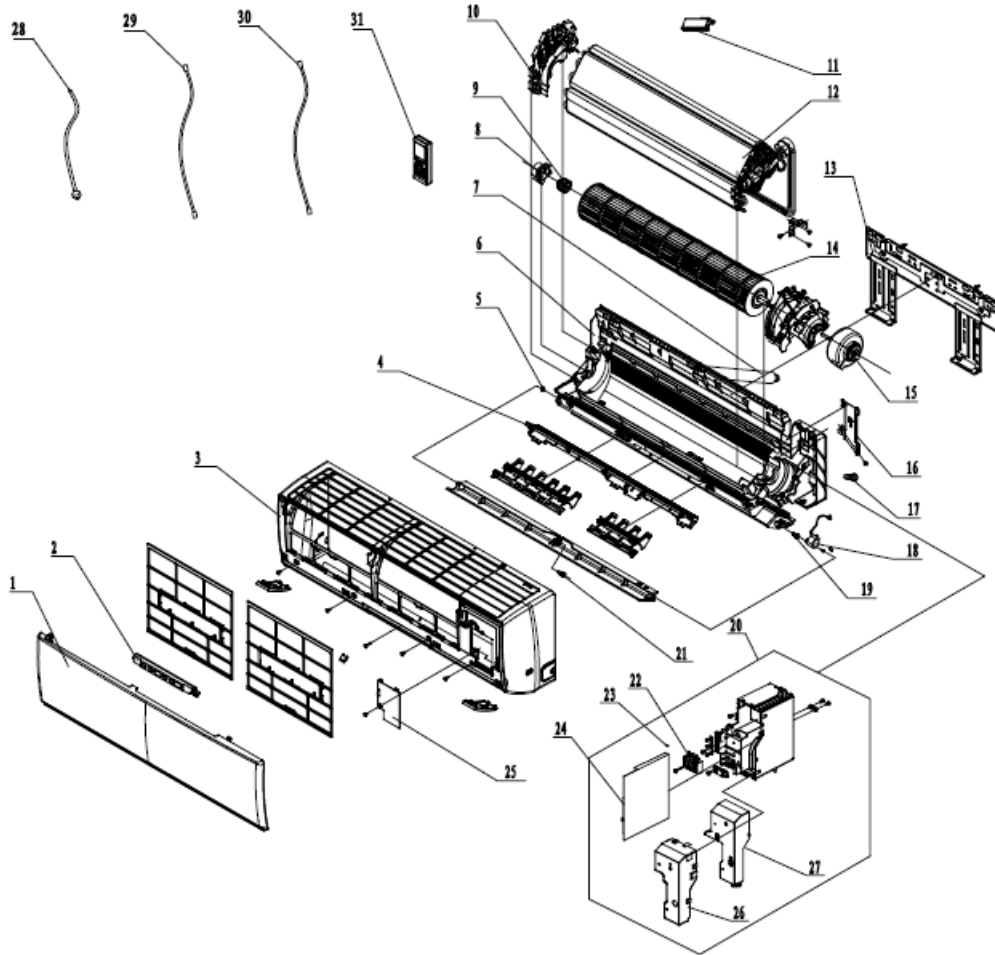
LIVS09HP230V1BO
9,000 BTUH 208/230v Outdoor Unit
Product Code: GWH09QB-D3DNA6E/O

NO.	Part Code	Part Description	Qty
1	01473012	Front Grille	1
3	10333004	Axial Flow Fan	1
4	01700000095P	Chassis Sub-Assy	1
5	0123338502	Clapboard Sub-Assy	1
6	06123401	Condensate Drain Connector	1
Not Shown	06813401	Condensate Drain Hole Plug	1
7	76713027	Compressor Grommet	3
8	03073369	4-Way Valve Assy	1
Not Shown	430004022	4-Way Valve	1
9	0171314201P	Valve Support	1
10	071302391	Cut off Valve Assy	1
11	07100003	1/4-in Liquid Line Valve	1
Not Shown	071302391	3/8-in Gas/Suction Valve	1
12	26113017	Valve Support Block	2
13	013030713	Right Side Plate Assy	1
15	4300040050	4-Way Valve Solenoid Coil	1
17	01473009	Rear Grille	1
18	10000500131	Electric Box	1
20	30138000679	Main Control Board	1
21	43130184	Reactor	1
22	10000100292	Electric Box Assy	1
23	42010313	Terminal Board	1
24	71010003	Wire Clamp	2
25	01253073	Top Cover Sub-Assy	1
26	01100200349	Condenser Coil Assy	1
27	01703104	Motor Support	1
28	1501306723	Fan Motor	1
29	00183114	Compressor Overload Protector(External)	1
Not Shown	00183111	Compressor Overload Protector(External)	1
30	00103892	Compressor	1
Not Shown	03700200543	Capillary Sub-Assy	1
31	26233100	Small Handle	1
32	3900030805	Temperature Sensor Assy **	1

** Temperature Sensor Assembly contains Discharge, Condenser Coil and Ambient sensors.

LIVS12HP115V1BH

12,000 BTUH 115v Indoor Unit

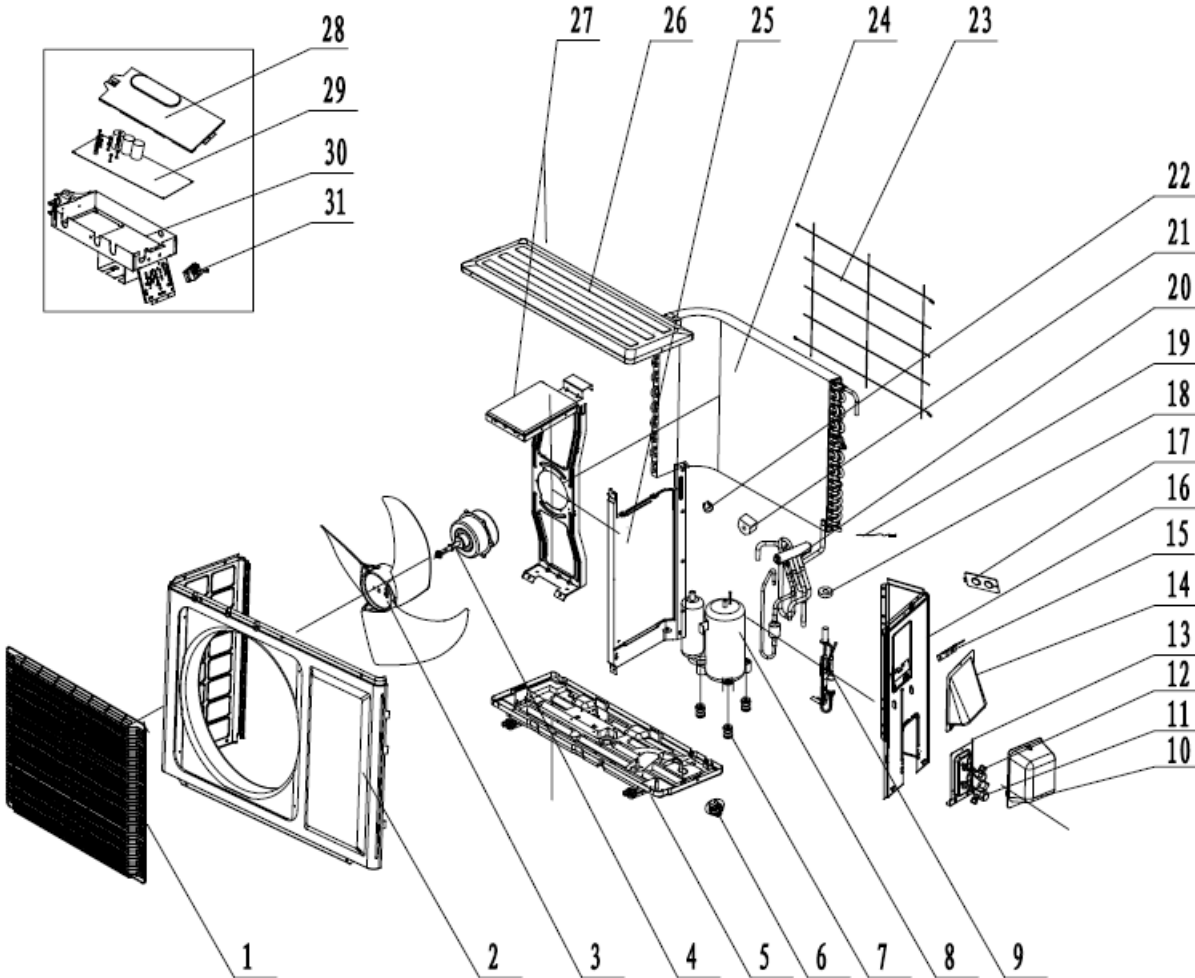


LIVS12HP115V1BH
12,000 BTUH 115v Indoor Unit
Product Code: GWH12QC-A3DNB2E/I

NO.	Part Code	Part Description	Qty
1	20000300018S	Front Panel B2	1
2	30565260	Display Board	1
Not Shown	11122468	Air Filter	2
3	00000200045	Front Case Assy	1
4	26112436	Helicoid Tongue	1
5	10512037	Left Axial Bushing	1
6	00000100093	Rear Case Assy	1
7	05230014	Drain Hose	1
8	26152022	Bearing Ring	1
9	7651205102	Bearing O-Gasket Sub-Assy	1
10	24212179	Evaporator Coil Support	1
12	0100297601	Evaporator Coil Assy	1
13	01252484	Wall Mounting Bracket	1
14	10352056	Cross Flow Fan	1
15	1501214605	Fan Motor	1
16	2611216401	Pipe Clamp	1
17	76712012	Drain Plug (Water Tray)	1
18	1521210701	Stepper Motor	1
19	73012005	Crank	1
20	10000201623	Electric Box Assy	1
21	10542036	Axial Bushing	1
22	42011233	Terminal Board	1
23	4202021917	Configuration Jumper Assy	1
24	300002000307	Main Control Board	1
25	0140206501	Electric Box Cover Sub-Assy	1
26	01592150	Electric Box Cover Shield Cover	1
27	2011220701	Electric Box Cover	1
31	30510475	Remote Controller (YAN1F1F)	1
Not Shown	26150009	Remote Controller Holder/Cradle	1
Not Shown	3900031302	Indoor Coil Temperature Sensor	1
Not Shown	3900031302	Ambient Temperature Sensor	1

LIVS12HP115V1BO

12,000 BTUH 115v Outdoor Unit



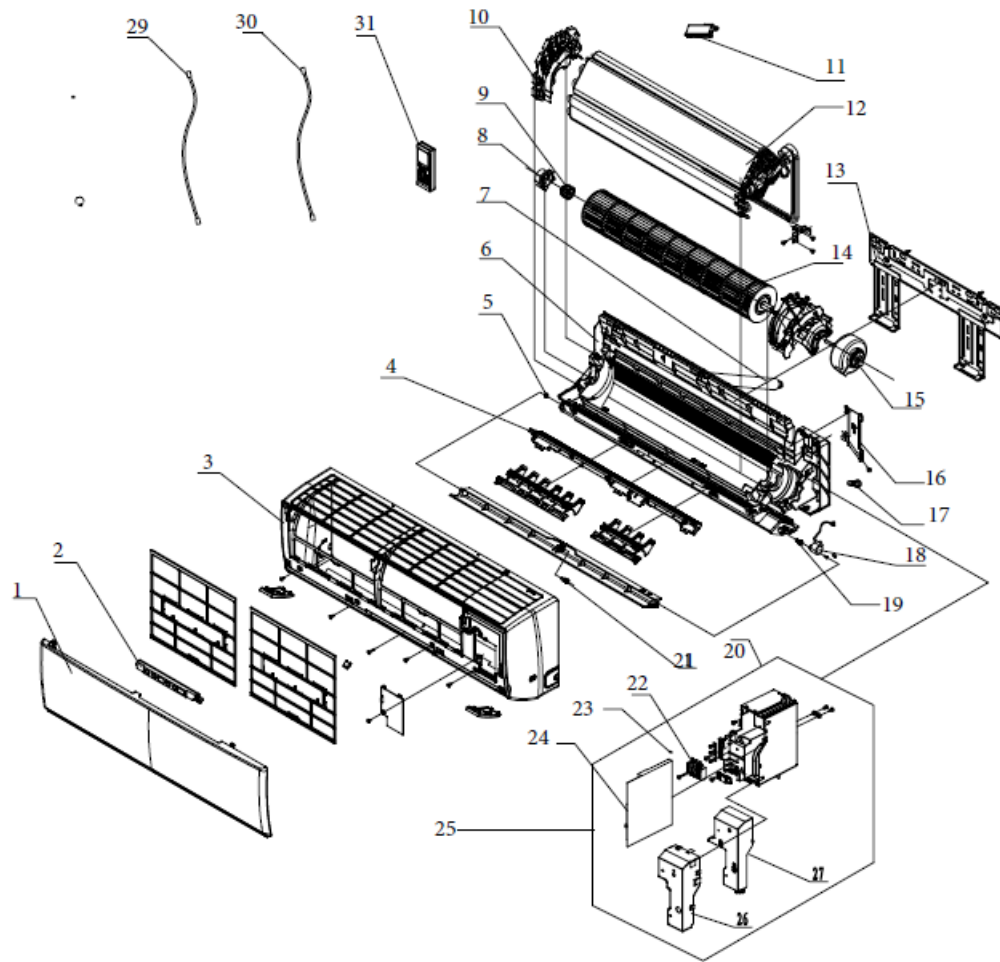
LIVS12HP115V1BO
12,000 BTUH 115v Outdoor Unit
Product Code: GWH12QC-A3DNA6E/O

NO.	Part Code	Part Description	Qty
1	01473012	Front Grille	1
2	0153304901	Front Panel Assy	1
3	10333004	Axial Flow Fan	1
4	1501308507	Fan Motor	1
5	0120388103P	Chassis Sub-Assy	1
6	06123401	Condensate Drain Connector	1
Not Shown	06813401	Condensate Drain Hole Plug	1
7	76710302	Compressor Grommets	3
8	00103862	Compressor	1
Not Shown	03700200692	Capillary Sub-Assy	1
10	2012300101	Valve Cover	1
11	07130239	1/4-in Liquid Line Valve	1
12	07100005	3/8-in Gas/Suction Valve	1
13	01713041	Valve Support	1
14	02123014P	Cable Cross Plate 2	1
15	02123013P	Cable Cross Plate 1	1
16	013030713	Right Side Plate Assy	1
17	01413069	Pass Wire Cover	1
19	39000310	Temperature Sensor Assy**	1
20	03073403	4-Way Valve Assy	1
Not Shown	430004022	4-Way Valve	1
21	4300040021	4-Way Valve Solenoid Coil	1
22	00180030	Compressor Overload Protector(External)	1
Not Shown	00183031	Compressor Overload Protector(External)	1
Not Shown	00183032	Compressor Overload Protector(External)	1
23	01473057	Rear Grille	1
24	01100200482	Condenser Coil Assy	1
25	01233034	Clapboard Sub-Assy	1
26	0125344311P	Top Cover Plate	1
28	0260309601	Electric Box Cover Sub-Assy	1
29	30138000863	Main Control Board	1
30	10000100611	Electric Box Assy	1
31	42010255	Terminal Board	1

** Temperature Sensor Assembly contains Discharge, Condenser Coil and Ambient sensors.

LIVS12HP230V1BH

12,000 BTUH 208/230v Indoor Unit



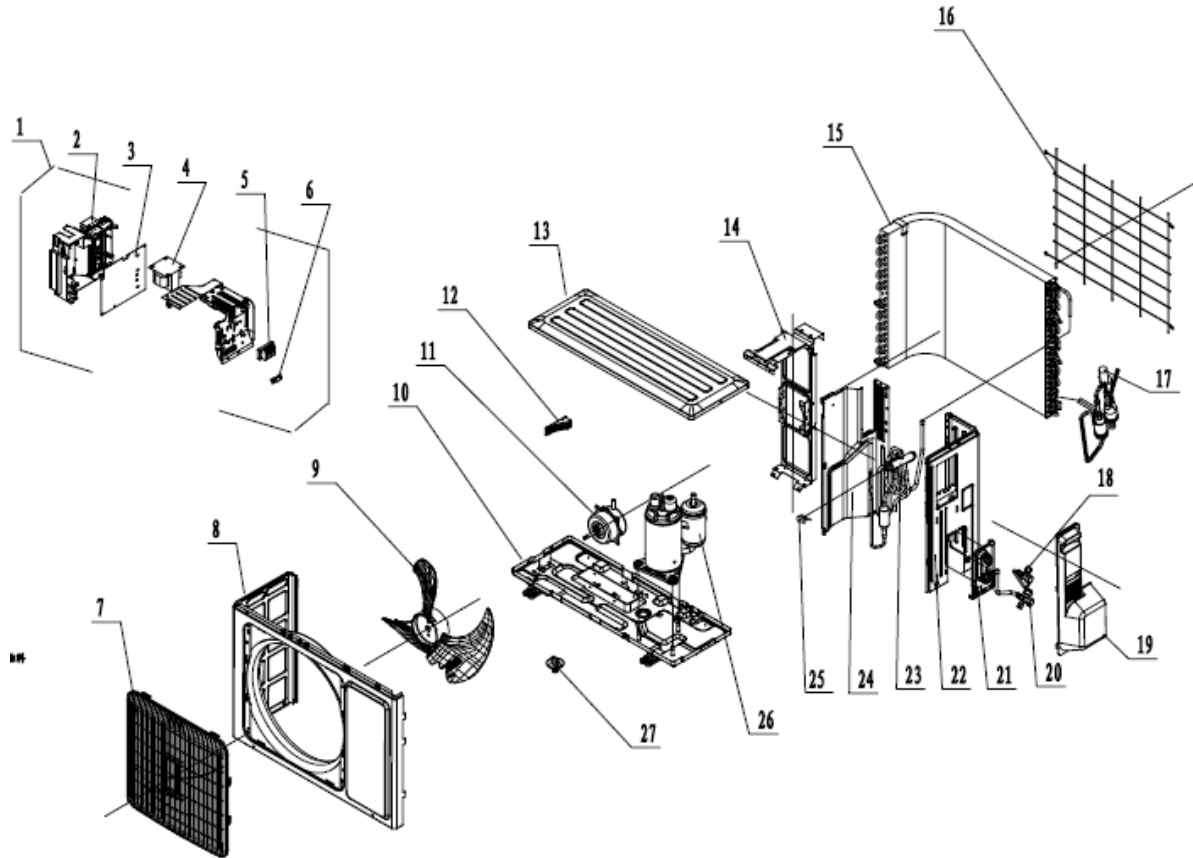
LIVS12HP230V1BH
12,000 BTUH 208/230v Indoor Unit
Product Code: GWH12QC-D3DNB2E/I

NO.	Part Code	Part Description	Qty
1	20000300018S	Front Panel B2	1
2	30565260	Display Board	1
Not Shown	11122468	Air Filter	2
3	00000200045	Front Case Assy	1
4	26112436	Helicoid Tongue	1
5	10512037	Left Axial Bushing	1
6	00000100093	Rear Case Assy	1
7	05230014	Condensate Drain Hose	1
8	26152022	Bearing Ring	1
9	7651205102	Bearing O-Gasket Sub-Assy	1
10	24212179	Evaporator Coil Support	1
12	0100297601	Evaporator Coil Assy	1
13	01252484	Wall Mounting Bracket	1
14	10352056	Cross flow Blower Wheel	1
15	1501214604	Fan Motor	1
16	2611216401	Pipe Clamp	1
17	76712012	Condensate Plug (Water Tray)	1
18	1521210710	Stepper Motor	1
19	73012005	Crank	1
20	10000204740	Electric Box Assy	1
21	10542036	Axial Bushing	1
22	42011233	Terminal Board	1
23	4202021917	Configuration Jumper Assy	1
24	30138000656	Main Control Board	1
25	0140206501	Electric Box Cover Sub-Assy	1
26	01592150	Electric Box Cover Shield	1
27	2011220701	Electric Box Cover	1
29	4002052316	Connecting Cable	1
31	30510475	Remote Controller (YAN1F1F)	1
Not Shown	26150009	Remote Controller Holder/Cradle	1
Not Shown	MC207059	XK-41 Tether Wired Controller**	1
Not Shown	3900031302	Ambient Temperature Sensor	1
Not Shown	3900031302	Indoor Coil Temperature Sensor	1

** Sold Separately

LIVS12HP230V1BO

12,000 BTUH 208/230v Outdoor Unit



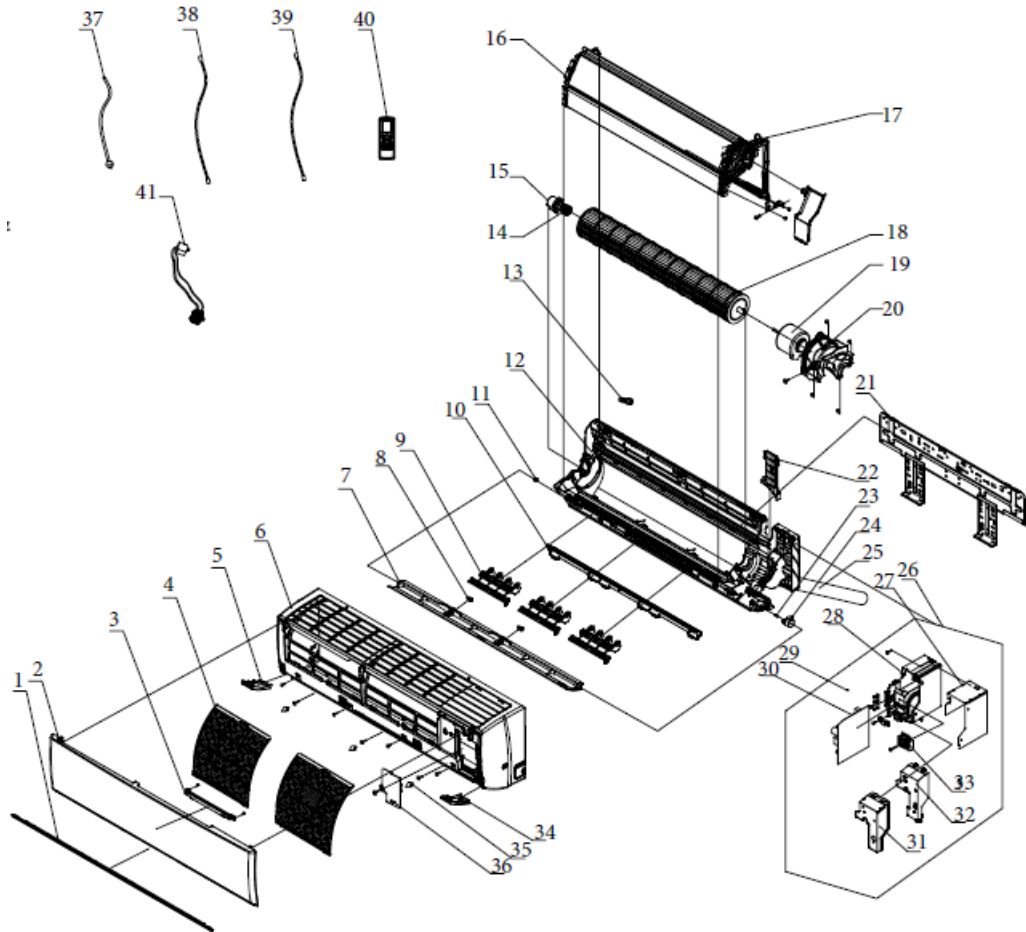
LIVS12HP230V1BO
12,000 BTUH 208/230v Outdoor Unit
Product Code: GWH12QC-D3DNA6E/O

NO.	Part Code	Part Description	Qty
1	10000100291	Electric Box Assy	1
2	10000500130	Electric Box Sub-Assy	1
3	30138000677	Main Control Board	1
4	43130184	Reactor	1
5	42010313	Terminal Board	1
6	71010103	Wire Clamp	2
7	01473012	Front Grille	1
8	0000030001504	Front Panel Assy	1
9	10333004	Axial Flow Fan	1
10	01700000081P	Chassis Sub-Assy	1
11	1501306723	Fan Motor	1
12	26233100	Small Handle	1
13	01253073	Top Cover Sub-Assy	1
14	0170310401	Motor Support	1
15	01100200346	Condenser Coil Assy	1
16	01473009	Rear Grille	1
18	07133082	1/4-in Liquid Line Valve	1
20	071302391	3/8-in Gas/Suction Valve	1
21	0171314201P	Valve Support	1
22	013030713	Right Side Plate Assy	1
23	03073277	4-Way Valve Assy	1
Not Shown	430004022	4-Way Valve	1
24	0123338502	Clapboard Sub-Assy	1
25	4300040050	4-Way Valve Solenoid Coil	1
26	00103892	Compressor	1
Not Shown	00183114	Compressor Overload Protector(External)	1
Not Shown	00183111	Compressor Overload Protector(External)	1
Not Shown	03700200528	Capillary Sub-Assy	1
27	06123401	Condensate Drain Connector	1
Not Shown	06813401	Condensate Drain Hole Plug	1
Not Shown	3900030805	Temperature Sensor Assy **	1

** Temperature Sensor Assembly contains Discharge, Condenser Coil and Ambient sensors.

LIVS18HP230V1BH

18,000 BTUH 208/230v Indoor Unit



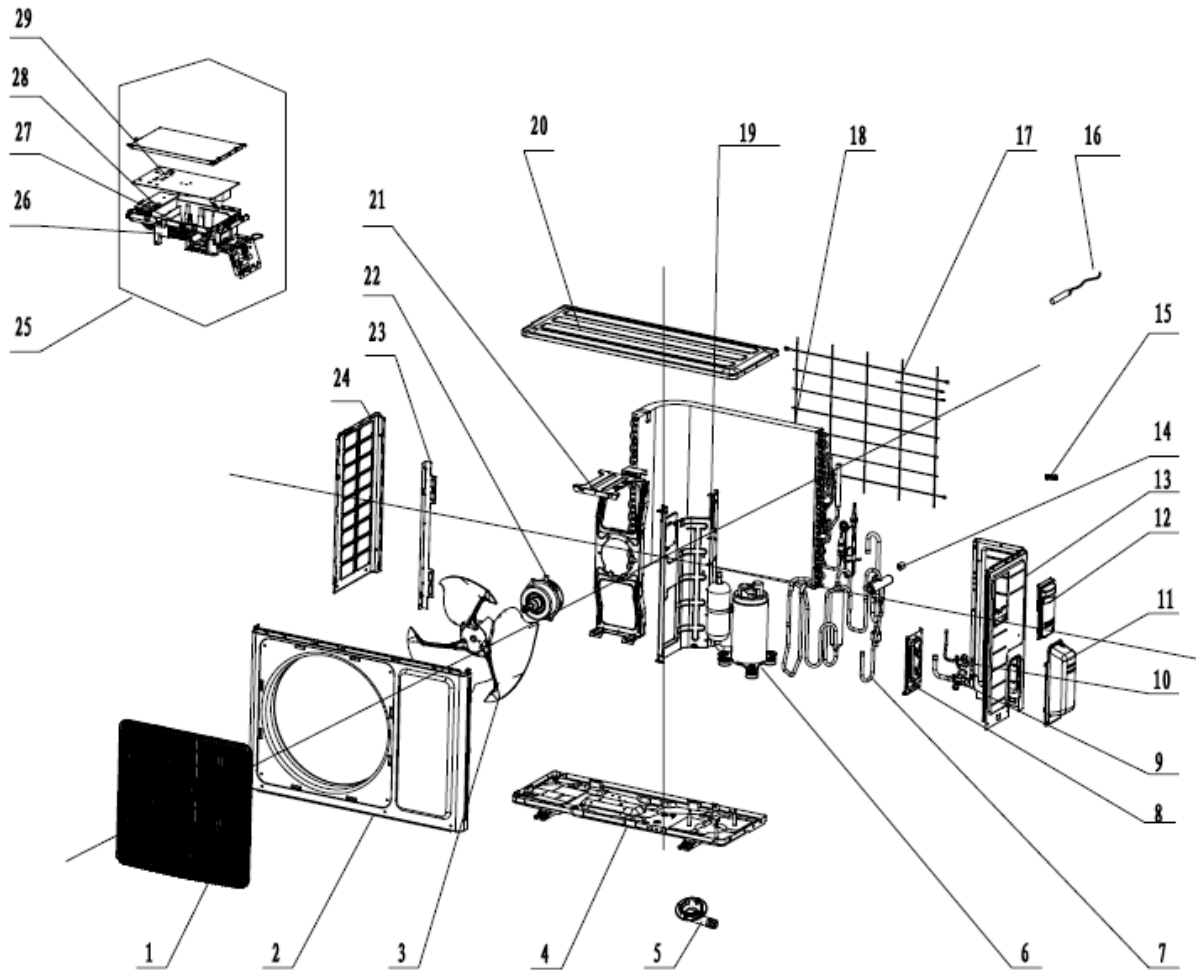
LIVS18HP230V1BH
18,000 BTUH 208/230v Indoor Unit
Product Code: GWH18QD-D3DNB2E/I

NO.	Part Code	Part Description	Qty
2	20000300023S	Front Panel	1
3	30565260	Display Board	1
4	11122089	Air Filter	2
5	20192662	Decorative Band	1
6	00000200042	Front Case Assy	1
7	1051276501	Guide Louver	1
8	10542036	Axial Bushing	2
9	10512732	Air Louver	3
10	26112512	Helicoid Tongue	1
11	10512037	Left Axial Bushing	1
12	22202571	Rear Case Assy	1
13	76712012	Condensate Plug (Water Tray)	1
14	7651205102	Bearing O-Gasket Sub-Assy	1
15	26152025	Bearing Ring	1
16	24212177	Evaporator Coil Support	1
17	0100200001401	Evaporator Coil Assy	1
18	10352060	Cross flow Blower Wheel	1
19	1501214503	Fan Motor	1
20	26112511	Motor Bracket	1
21	01362026	Wall Mounting Bracket	1
22	2611218801	Pipe Clamp	1
23	73012005	Crank	1
24	1521240212	Stepper Motor	1
25	05230014	Condensate Drain Hose	1
26	10000204786	Electric Box Assy	1
27	01592139	Electric Box Lower Shield	1
28	2011221102	Electric Box	1
29	4202021919	Configuration Jumper Assy	1
30	300002000312	Main Control Board	1
31	01592176	Electric Box Shield Cover	1
32	2011220901	Electric Box Cover	1
33	42011233	Terminal Board	1
35	2425201726	Cover Screw	3
36	2011221001	Electric Box Cover 2	1
38	4002052316	Connecting Cable	1
40	30510475	Remote Controller (YAN1F1F)	1
Not Shown	26150009	Remote Controller Holder/Cradle	1
Not Shown	MC207059	XK-41 Tether Wired Controller**	1
Not Shown	3900031302	Ambient Temperature Sensor	1
Not Shown	3900031302	Indoor Coil Temperature Sensor	1

** Sold Separately

LIVS18HP230V1BO

18,000 BTUH 208/230v Outdoor Unit



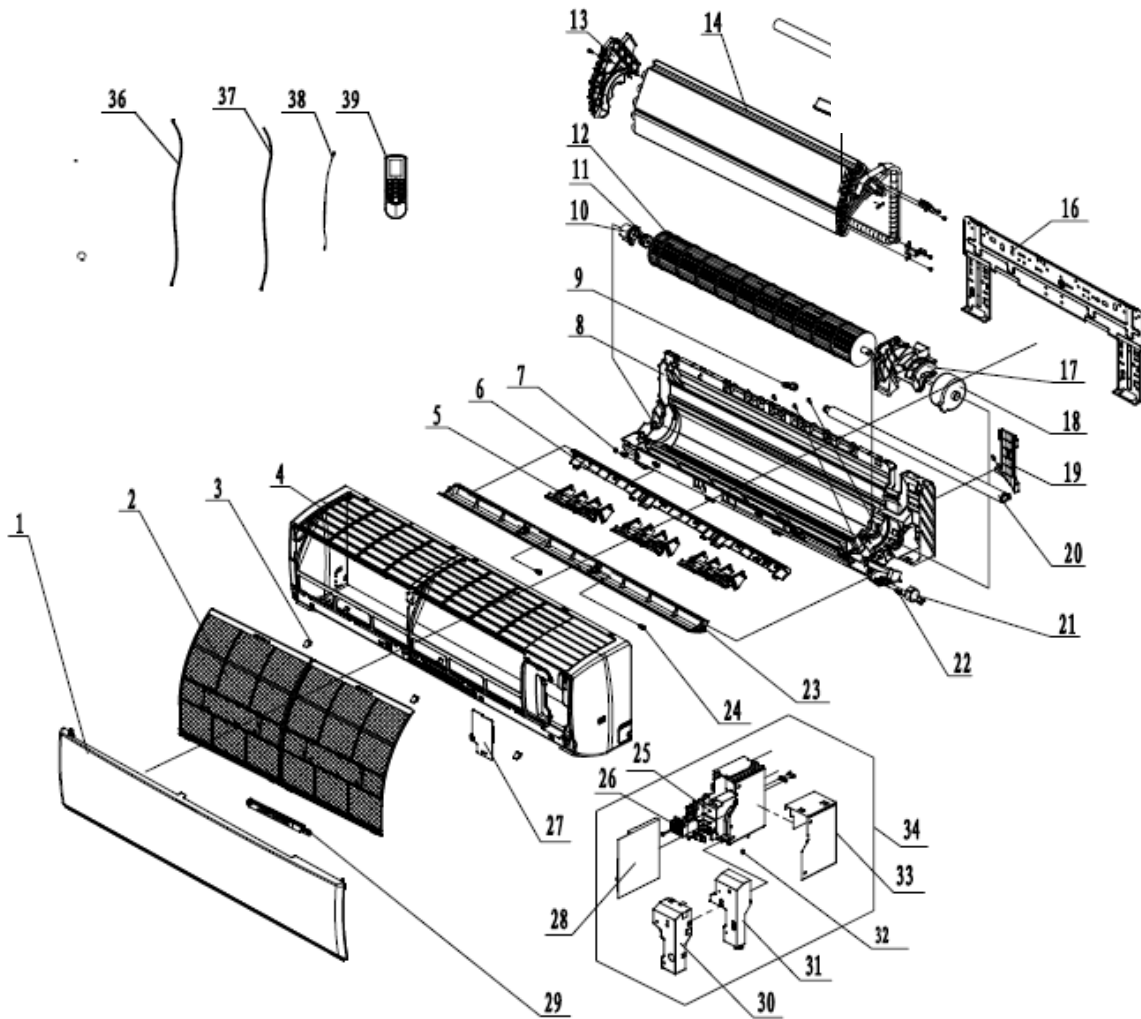
LIVS18HP230V1BO
18,000 BTUH 208/230v Outdoor Unit
Product Code: GWH18QD-D3DNA6E/O

NO.	Part Code	Part Description	Qty
1	01473049	Front Grille	1
2	0000030002401	Front Panel Assy	1
3	10335008	Axial Flow Fan	1
4	01700000093P	Chassis Sub-Assy	1
Not Shown	06123401	Condensate Drain Connector	1
5	06813401	Condensate Drain Hole Plug	1
Not Shown	03700200521	Capillary Sub-Assy	1
6	00105249G	Compressor	1
Not Shown	00180030	Compressor Overload Protector(External)	1
Not Shown	00183051	Compressor Overload Protector(External)	1
Not Shown	00183032	Compressor Overload Protector(External)	1
Not Shown	76710247	Compressor Grommet	3
7	03073366	4-Way Valve Assy	1
Not Shown	430004032	4-Way Valve	1
8	01715010P	Valve Support Assy	1
Not Shown	07130239	1/4-in Liquid Line Valve	1
Not Shown	071302392	1/2-in Gas/Suction Valve	1
9	07133774	Cut off Valve Assy 1/2-in	1
10	07133204	Cut off Valve Assy 1/4-in	1
11	22245002	Valve Cover	1
12	26233053	Handle Assy	1
13	0130329202	Right Side Plate Assy	1
14	4300040045	4-Way Valve Solenoid Coil	1
15	26115004	Wiring Clamp	1
16	3900030901	Temperature Sensor**	1
17	01473043	Rear Grille	1
18	01100200339	Condenser Coil Assy	1
19	01232902	Clapboard Sub-Assy	1
20	000051000017	Top Panel	1
21	01703154	Motor Support Sub-Assy	1
22	1501506402	Fan Motor	1
23	01173127	Condenser Coil Support	1
24	01305093P	Left Side Plate	1
25	10000100288	Electric Box Assy	1
26	20113027	Electric Box	1
27	42010255	Terminal Board	1
28	49010252	Heat Sink/Radiator	1
Not Shown	43120132	PFC Inductor	1
29	30138000685	Main Control Board	1

** Temperature Sensor Assembly contains Discharge, Condenser Coil and Ambient sensors.

LIVS24HP230V1BH

24,000 BTUH 208/230v Indoor Unit



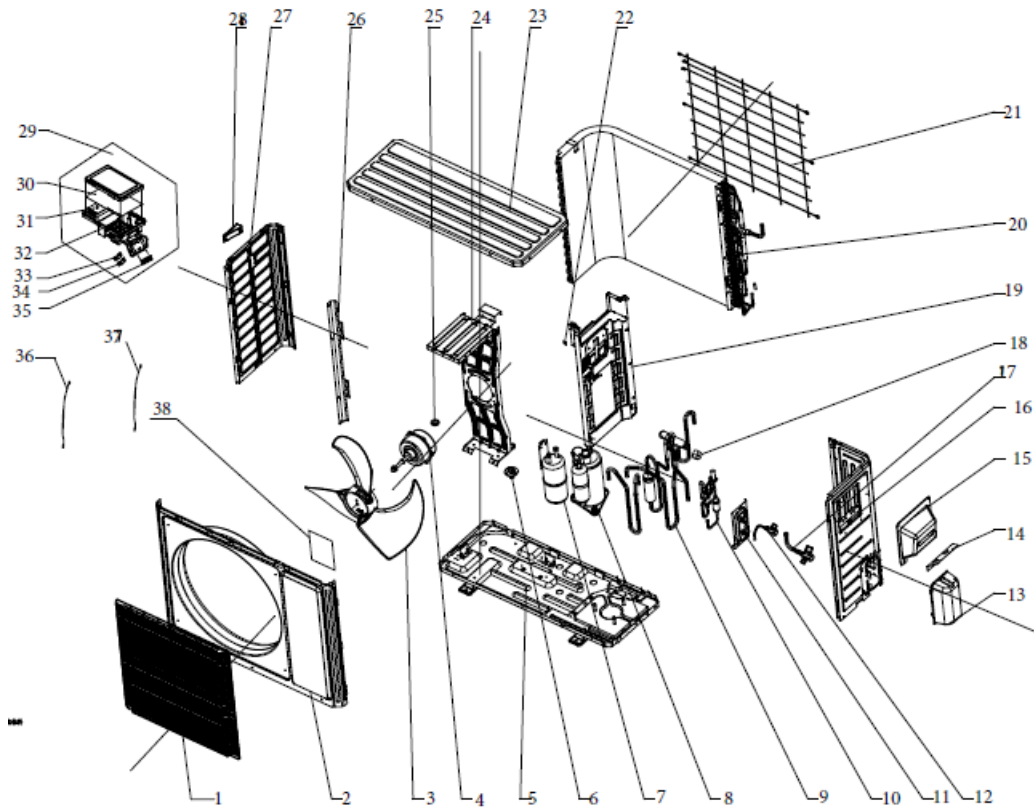
LIVS24HP230V1BH
24,000 BTUH 208/230v Indoor Unit
Product Code: GWH24QE-D3DNB2E/I

NO.	Part Code	Part Description	Qty
1	20000300016S	Front Panel B2	1
2	11012007	Air Filter	2
3	2425245301	Cover Screw	3
4	00000200057	Front Case Assy	1
5	10512737	Air Louver	3
6	26112382	Helicoid Tongue Sub-Assy	1
7	10512037	Left Axial Bushing	1
8	22202570	Rear Case Assy	1
9	76712012	Condensate Plug (Water Tray)	1
10	26152025	Bearing Ring	1
11	7651205102	Bearing O-Gasket Sub-Assy	1
12	10352057	Cross flow Blower Wheel	1
13	24212178	Evaporator Coil Support	1
14	01100100029	Evaporator Coil Assy	1
16	01252229	Wall Mounting Bracket	1
17	26112515	Motor Bracket	1
18	1501214501	Fan Motor	1
19	26112514	Pipe Clamp	1
20	0523001405	Condensate Drain Hose	1
21	1521240212	Stepper Motor	1
22	73012005	Crank	1
23	1051232001	Guide Louver	1
24	10542036	Axial Bushing	2
25	2011221102	Electric Box	1
26	42011233	Terminal Board	1
27	2011221001	Electric Box Cover2	1
28	300002000316	Main Control Board	1
29	30565260	Display Board	1
30	01592176	Electric Box Shield Cover	1
31	2011220901	Electric Box Cover	1
32	4202021926	Configuration Jumper Assy	1
33	01592139	Electric Box Lower Shield	1
34	10000204970	Electric Box Assy	1
36	4002052316	Connecting Cable	1
37	3900031302	Ambient Temperature Sensor	1
38	3900031302	Indoor Coil Temperature Sensor	1
39	30510475	Remote Controller (YAN1F1F)	1
Not Shown	26150009	Remote Controller Holder/Cradle	1
Not Shown	MC207059	XK-41 Tether Wired Controller**	1

** Sold Separately

LIVS24HP230V1BO

24,000 BTUH 208/230v Outdoor Unit



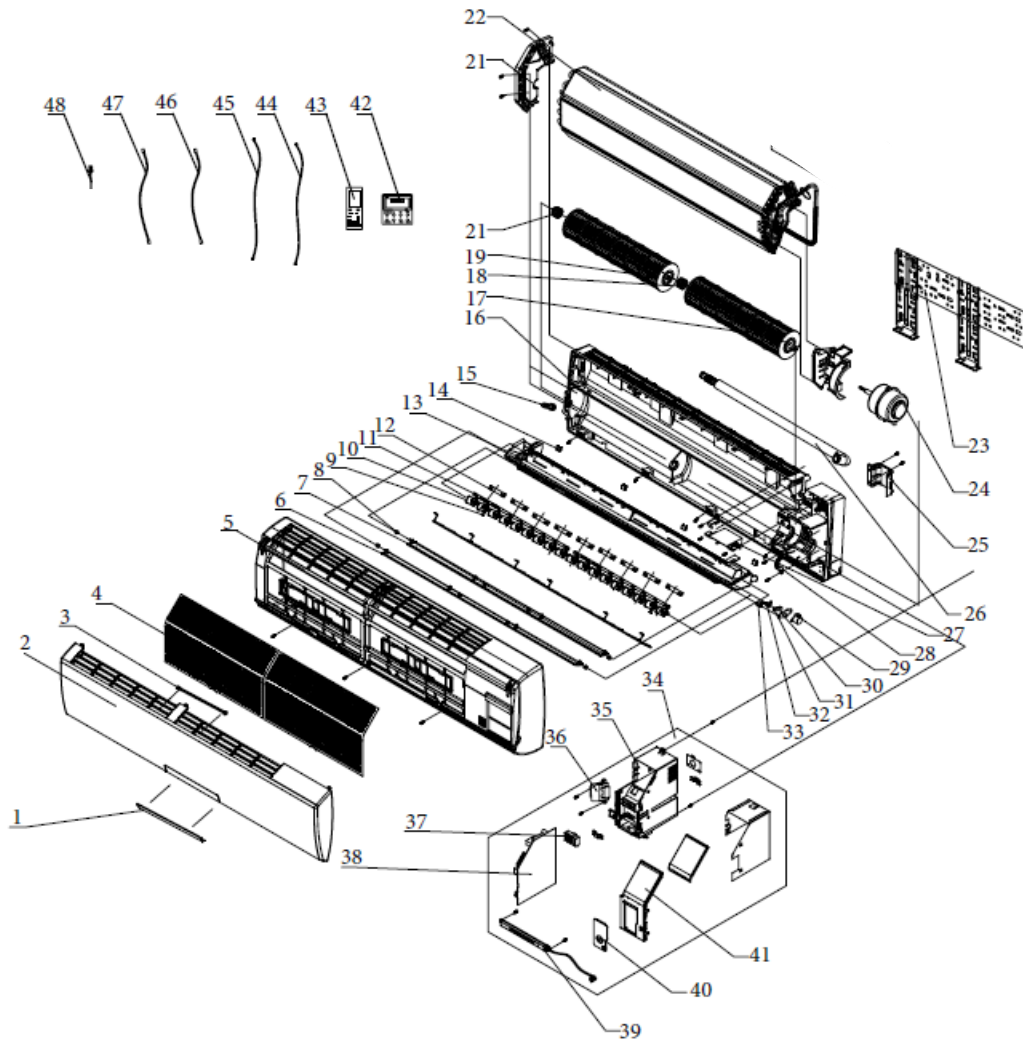
LIVS24HP230V1BO
24,000 BTUH 208/230v Outdoor Unit
Product Code: GWH24QE-D3DNA6E/O

NO.	Part Code	Part Description	Qty
1	01473043	Rear Grille	1
2	0000030002401	Front Panel Assy	1
3	10335008	Axial Flow Fan	1
4	1501506402	Fan Motor	1
5	0280336702P	Chassis Sub-Assy	1
6	06813401	Condensate Drain Hole Plug	1
7	07223048	Gas-Liquid Separator	1
Not Shown	03700200535	Capillary Sub-Assy	1
8	00105249G	Compressor	1
Not Shown	00180030	Compressor Overload Protector(External)	1
Not Shown	00183051	Compressor Overload Protector(External)	1
Not Shown	00183032	Compressor Overload Protector(External)	1
Not Shown	76710247	Compressor Grommet	3
9	03073324	4-Way Valve Assy	1
Not Shown	430004032	4-Way Valve	1
11	01713098P	Valve Support Sub-Assy	1
12	07130239	1/4-in Liquid Line Valve	1
13	22245002	Valve Cover	1
14	02115006P	Retaining Plate	1
15	02113109	Handle Assy	1
16	0130329202	Right Side Plate Assy	1
17	07133157	5/8-in Gas/Suction Valve	1
18	4300040045	4-Way Valve Solenoid Coil	1
19	0123315301	Clapboard Assy	1
20	01100200347	Condenser Coil Assy	1
21	01473049	Front Grille	1
22	26115004	Wiring Clamp	1
23	000051000017	Top Panel	1
24	0170512001	Motor Support Sub-Assy	1
25	06123401	Condensate Drain Connector	1
26	01173415	Condenser Support Plate	1
27	01305093P	Left Side Plate	1
28	None	Left Handle	0
29	10000100294	Electric Box Assy	1
30	30138000673	Main Control Board	1
31	49010252	Heat Sink/Radiator	1
Not Shown	43120132	PFC Inductor	1
32	20113027	Electric Box	1
33	71010102	Wire Clamp	1
34	71010103	Wire Clamp	1
35	42010255	Terminal Board	1
36	3900030901	Temperature Sensor**	1
38	20113003	Electric Box Cover Insulated Board	1

** Temperature Sensor Assembly contains Discharge, Condenser Coil and Ambient sensors.

LIVS30HP230V1BH

30,000 BTUH 208/230v Indoor Unit



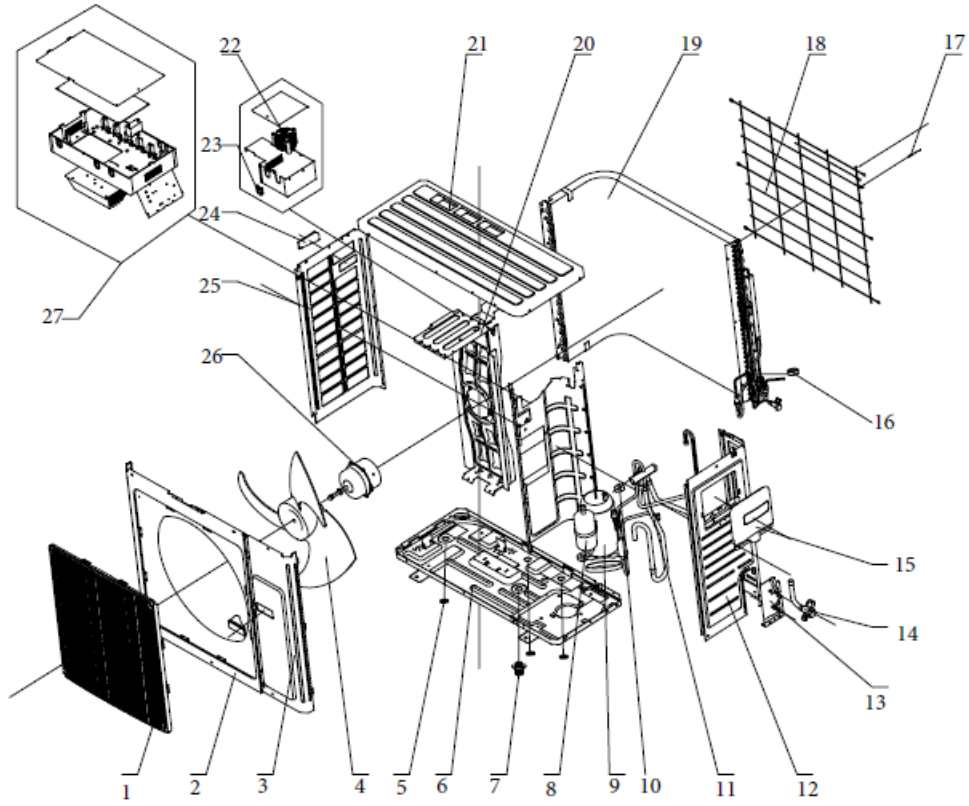
LIVS30HP230V1BH
30,000 BTUH 208/230v Indoor Unit
Product Code: GWH30LB-D3DNB2F/I

NO.	Part Code	Part Description	Qty
2	20000300022S	Front Panel	1
3	2421212001	Kick Stand Bar	1
4	11122106	Air Filter	2
5	20900700005	Front Case Sub-Assy	1
6	1051216601	Upper Guide Louver	1
7	1051216701	Lower Guide Louver	1
8	10542704	Axial Bushing	6
9	1051216902	Air Louver 2	2
10	1051216802	Air Louver 1	16
11	10582086	Connecting Rod	2
12	26112158	Louver Clamp	9
13	2018213802	Water Tray Sub-Assy	1
14	2425200506	Cover Screw	4
15	76712012	Condensate Plug (Water Tray)	1
16	00000100113	Rear Case Assy	1
17	10352039	Cross flow Blower Wheel 1	1
18	26152028	Bearing Holder Sub-Assy	1
19	10352040	Cross flow Blower Wheel 2	1
20	76512051	Bearing O-Gasket Sub-Assy	1
21	24212041	Left Evaporator Coil Support	1
22	01002000027	Evaporator Coil Assy	1
23	01252398	Wall Mounting Bracket	1
24	1501213401	Fan Motor	1
25	26112071	Pipe Clamp	1
26	0523001404	Condensate Drain Hose	1
27	2012212402	Cover Plate	1
28	26112324	Motor Clip 1	1
29	1521210701	Stepper Motor	1
30	26112070	Press Plate (Crank)	1
31	10582041	Crank Guide	1
32	10562004	Upper Crank	1
33	10562005	Lower Crank	1
34	10000203442	Electric Box Assy	1
35	201022502	Electric Box	1
37	42011233	Terminal Board	1
38	30138000192	Main Control Board	1
39	30565277	Display Board	1
41	2011204404S	Electric Box Cover	1
42	MC207059	XK-41 Tether Wired Controller**	1
43	30510475	Remote Controller (YAN1F1F)	1
Not Shown	26150009	Remote Controller Holder/Cradle	1
47	390000592	Indoor Coil Temperature Sensor	1
48	390000453	Ambient Temperature Sensor	1

** Sold Separately

LIVS30HP230V1BO

30,000 BTUH 208/230v Outdoor Unit



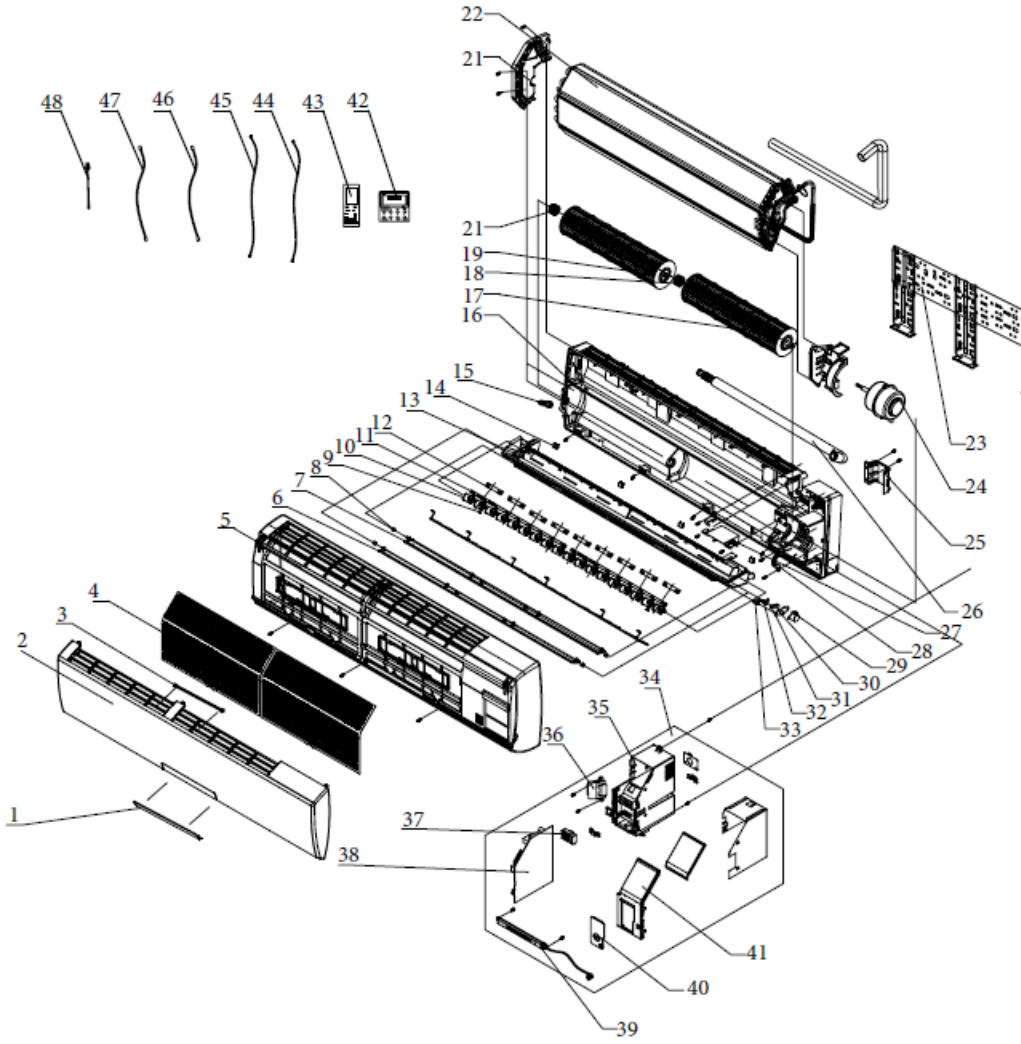
LIVS30HP230V1BO
30,000 BTUH 208/230v Outdoor Unit
Product Code: GWH30LB-D3DNA3E/O

NO.	Part Code	Part Description	Qty
1	01473050	Front Grille	1
2	0153501405	Front Panel Assy	1
3	01305086P	Front Side Plate	1
4	10335014	Axial Flow Fan	1
5	06813401	Condensate Drain Connector	1
6	02803101P	Chassis Sub-Assy	1
7	06813401	Condensate Drain Hole Plug	1
Not Shown	81028009	Capillary Sub-Assy	1
8	00105051	Compressor	1
Not Shown	00180030	Compressor Overload Protector(External)	1
Not Shown	00183051	Compressor Overload Protector(External)	1
Not Shown	00183032	Compressor Overload Protector(External)	1
Not Shown	76715022	Compressor Grommet	3
9	7651873209	Compressor Crankcase Heater	1
10	4300040029	4-Way Valve Solenoid Coil	1
11	03123895	4-Way Valve Assy	1
Not Shown	4300008201	4-Way Valve	1
12	0130504402P	Right Side Plate	1
13	0171501201P	Valve Support Sub-Assy	1
Not Shown	07130239	1/4-in Liquid Line Valve	1
14	07133157	5/8-in Gas/Suction Valve	1
15	02115005	Big Handle	1
Not Shown	07138807	Electric Expansion Valve	1
16	4300876703	Electronic Expansion Valve Solenoid Coil	1
17	3900031001	Temperature Sensor**	1
18	01475013	Rear Grille	1
19	01163509	Condenser Coil Assy	1
20	0180287601	Motor Support Sub-Assy	1
21	01255007	Top Cover Sub-Assy	1
23	76614102	Pass Wire Ring Sub-Assy	2
24	26235401	Left Handle	2
25	01305043P	Left Side Plate	1
26	15702802	Fan Motor	1
Not Shown	30148338	Main Control Board	1
Not Shown	43130192	Reactor	1
27	02613050	Electric Box Assy	1

** Temperature Sensor Assembly contains Discharge, Condenser Coil and Ambient sensors.

LIVS36HP230V1BH

36,000 BTUH 208/230v Indoor Unit



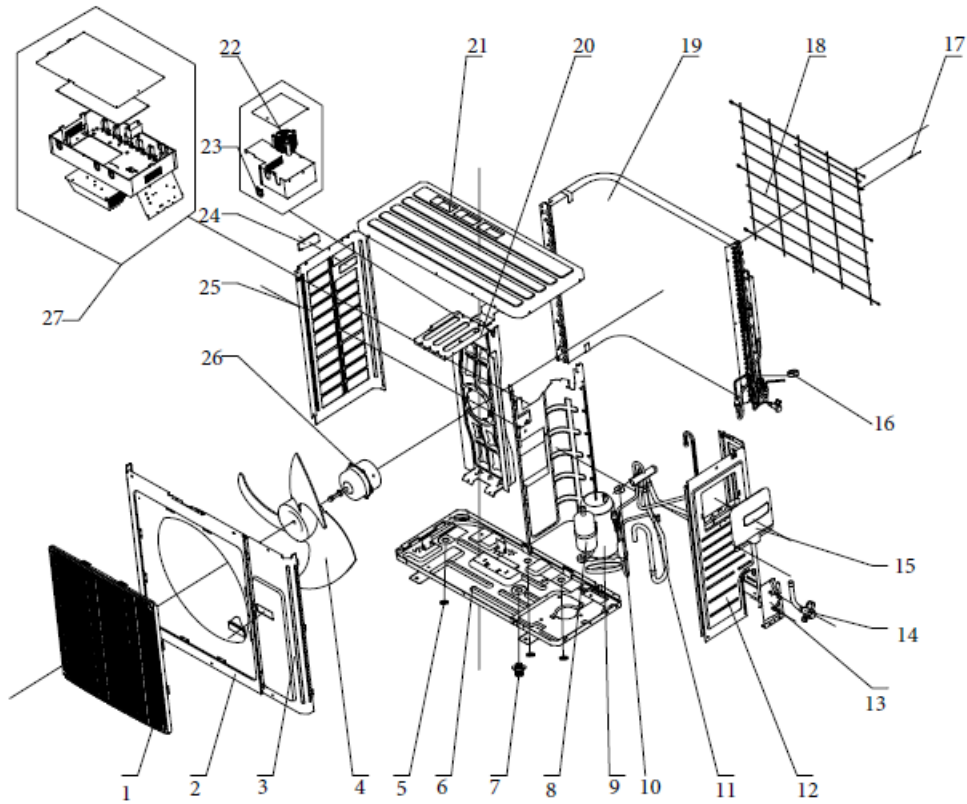
LIVS36HP230V1BH
36,000 BTUH 208/230v Indoor Unit
Product Code: GWH36LB-D3DNB2F/I

NO.	Part Code	Part Description	Qty
1	2243002401	Receiver Window	1
2	20000300022S	Front Panel	1
4	11122106	Air Filter	2
5	20900700005	Front Case Sub-Assy	1
6	1051216601	Upper Guide Louver	1
7	1051216701	Lower Guide Louver	1
8	10542704	Axial Bushing	6
9	1051216902	Air Louver 2	2
10	1051216802	Air Louver 1	16
11	10582086	Connecting Rod	2
12	26112158	Louver Clamp	9
13	2018213802	Condensate Water Tray	1
14	2425200506	Cover Screw	4
15	76712012	Condensate Plug (Water Tray)	1
16	00000100113	Rear Case Assy	1
17	10352039	Cross flow Blower Wheel 1	1
18	26152028	Bearing Holder Sub-Assy	1
19	10352040	Cross flow Blower Wheel 2	1
20	76512051	Bearing O-Gasket Sub-Assy	1
21	24212041	Left Evaporator Coil Support	1
22	01002000027	Evaporator Coil Assy	1
23	01252398	Wall Mounting Bracket	1
24	1501213401	Fan Motor	1
25	26112071	Pipe Clamp	1
26	0523001404	Condensate Drain Hose	1
27	2012212402	Cover Plate	1
29	1521210701	Stepper Motor	1
30	26112070	Press Plate (Crank)	1
31	10582041	Crank-Guide	1
32	10562004	Upper Crank	1
33	10562005	Lower Crank	1
34	10000203443	Electric Box Assy	1
35	201022502	Electric Box	1
37	42011233	Terminal Board	1
38	30138000192	Main Control Board	1
39	30565277	Display Board	1
41	2011204404S	Electric Box Cover	1
42	MC207059	XK-41 Tether Wired Controller**	1
43	30510475	Remote Controller (YAN1F1F)	1
Not Shown	26150009	Remote Controller Holder/Cradle	1
47	390000592	Indoor Coil Temperature Sensor	1
48	390000453	Ambient Temperature Sensor	1

** Sold Separately

LIVS36HP230V1BO

36,000 BTUH 208/230v Outdoor Unit



LIVS36HP230V1BO
36,000 BTUH 208/230v Outdoor Unit
Product Code: GWH36LB-D3DNA3E/O

NO.	Part Code	Part Description	Qty
1	01473050	Front Grille	1
2	0153501405	Front Panel Assy	1
3	01305086P	Front Side Plate	1
4	10335014	Axial Flow Fan	1
5	06813401	Condensate Drain Plug	1
6	02803026P	Chassis Sub-Assy	1
7	06123401	Condensate Drain Connector	1
8	00205275	Compressor	1
Not Shown	00185012	Compressor Overload Protector(External)	1
Not Shown	76710207	Compressor Grommet	3
9	7651873209	Compressor Crankcase Heater	1
10	4300040029	4-Way Valve Solenoid Coil	1
11	03123890	4-Way Valve Assy	1
Not Shown	43000338	4-Way Valve	1
12	0130504402P	Right Side Plate	1
13	0171501201P	Valve Support Sub-Assy	1
Not Shown	07130239	1/4-in Liquid Line Valve	1
14	07133157	5/8-in Gas/Suction Valve	1
15	02115005	Big Handle	1
Not Shown	07138807	Electronic Expansion Valve	1
16	4300876703	Electronic Expansion Valve Solenoid Coil	1
17	3900031001	Temperature Sensor**	1
18	01475013	Rear Grille	1
19	01163491	Condenser Coil Assy	1
20	01802876	Motor Support Sub-Assy	1
21	01255007	Top Cover Sub-Assy	1
23	76614102	Pass Wire Ring Sub-Assy	2
24	26235401	Left Handle	2
25	01305043P	Left Side Plate	1
26	1570280205	Fan Motor	1
Not Shown	30148360	Main Control Board	1
Not Shown	43130192	Reactor	1
27	02613030_L36395	Electric Box Assy	1

** Temperature Sensor Assembly contains Discharge, Condenser Coil and Ambient sensors.