

Submittal Data: LIVV09HP230V1A 9000 BTU/H (208/230V) Wall Mounted Heat Pump System

Job Name	Location	Date
Purchaser	Engineer	
Submitted To	For	<input type="checkbox"/> Reference <input type="checkbox"/> Approval <input type="checkbox"/> Construction
Unit Designation	Schedule No.	

GENERAL FEATURES

- High Efficiency DC Inverter Technology
- Compact and Quiet Design
- Wireless Remote with LCD Display
- Wi-Fi Ready (Kit Sold Separately) WSBEC04
- XE71 Wired Controller (Sold Separately)
- Low Ambient Cool to 0° F
- Heating down to -4°F
- Blue Fin Condenser Coil
- 5 year Limited Parts Warranty


System Ratings

Cooling			
Rated Capacity	Btu/hr		9100
Capacity Range	Btu/hr		2457 - 9600
Power Input (Max)	W		1100
SEER			17
EER			10.25
Heating at 47° F			
Rated Capacity	Btu/hr		9500 Btu/hr
Capacity Range	Btu/hr		2457 -11500
Power Input (Max)	W		1350
HSPF			9
COP			3.6
Heating at 17° F			
Rated Capacity			5600 BTU/H
Operating Range			
Cooling	(Max)	115	(46 C)
	(Min)	0	(-18 C)
Heating	(Max)	75	(24 C)
	(Min)	-4	(-20 C)

Indoor Unit Data

Fan Motor	Type	Cross-Flow	
	Output Power	W	20
	FLA	A	0.22
Airflow		CFM	294 / 271 / 235 /182
Turbo / Hi / Med / Lo			
Sound Pressure Level			
Turbo / Hi / Med / Lo	Clg dB(A)		39 / 37 / 33 / 26
	Htg dB(A)		41 / 38 / 34 / 29
Dehumidification		Pints/hr	1.69

Refrigerant Piping Data

Gas Pipe Size (OD) Flared	in	3/8
Liquid Pipe Size (OD) Flared	in	1/4
Connection Method		Flared
Factory Charge		24 oz
Additional Charge		0.2 oz
Pre-Charge Length		25 ft
MAX Refrigerant Pipe Length		49 ft
MIN Refrigerant Pipe Length		10 ft
MAX Refrigerant Pipe Elevation		33 ft

Outdoor Unit Data

Compresso	Type	DC Inverter Driven Rotary	
	RLA	A	6.6
Refrigerant Type			R410A
Fan Motor	Output Power	W	30
	FLA	A	0.37
Sound Pressure Level			
Cooling/Heating		dB(A)	50

Electrical Data

Power Supply			
Normal Operational Voltage	208/230 V, 1 Ph, 60 Hz		
Voltage Range	V	187 - 253	
MCA	A	10	
MOCP/Breaker Size	A	15	
Main Power Wire Size		14-2 AWG	



SYSTEM FEATURES	
Inverter Type	G10
Ultra Low Frequency Torque Control	Yes
Power Factor Correction	Yes
Compressor Type	High Eff. Rotary
Refrigerant Type	R410A
Basepan With Electric Heater	YES
Compressor With Electric Heater	YES
Outdoor Fin Coating (Color: Blue)	Acrylic-Resin/Anti-Corrosive
Intelligent Defrosting	YES
Force Defrosting	YES
Intelligent Preheating	YES
Low Voltage Startup	YES
Memory/Power Failure Recovery	YES
Self Diagnosis	YES
Wired Controller Interface (XE71)	YES
Wi-Fi Interface Capable (Optional)	WSBEE05
Indoor Fan Type	Crossflow
Multi Fan Speeds	4 Speeds
Indoor Unit Display	YES
Advance Filter	Optional
Auxiliary Electrical Heater	NO
Ventilation (Outdoor Air)	NO

REMOTE CONTROLLER FUNCTIONS	
Auto Mode	YES
Auto Fan	YES
Manual Horizontal Swing	YES
Auto Swing (Vertical Auto Swing)	YES
Clock on Remote Controller	YES
Dry Mode	YES
Dry Anti-Mildew (X-Fan) Mode	YES
Energy Saving Mode	YES
Dirty Filter Alert	NO
I Feel Function	YES
Lock on Remote Controller	YES
Quiet Mode	NO
Room Temperature Display	YES
Sleep Mode	YES
Timer Mode	YES
Turbo Mode	YES
Display On/Off Control	YES
Freeze Guard Mode (46 °F)	YES
Display On/Off Control	YES

EXTENDED RATINGS

LIVV09HP230V1A

COOLING PERFORMANCE (BtuH)*

Outdoor Ambient Temperature (DB)	Indoor Entering Air Temperatures					
	68°F DB		73°F DB		80°F DB	
	57°FFWB		61°FFWB		67°FFWB	
	TC	SHC	TC	SHC	TC	SHC
0°F	7480	5423	9240	6699	11000	7975
5°F	8580	6263	10340	7548	12100	8833
17°F	9680	7115	11440	8408	13200	9702
23°F	10120	7489	11880	8791	13640	10094
32°F	10560	7867	12320	9178	14080	10490
41°F	11880	8910	13640	10230	15400	11550
50°F	13200	9966	14960	11295	16720	12624
57°F	14080	10701	15840	12038	17600	13376
67°F	14740	11276	16500	12623	18260	13969
75°F	18480	14230	20240	15585	22000	16940
86°F	20460	15857	22220	17221	23980	18585
95°F	18480	14414	20240	15787	22000	17160
104°F	16280	12780	18040	14161	19800	15543
113°F	14960	11818	16720	13209	18480	14599
122°F	12760	10144	14520	11543	16280	12943

HEATING PERFORMANCE (BtuH)*

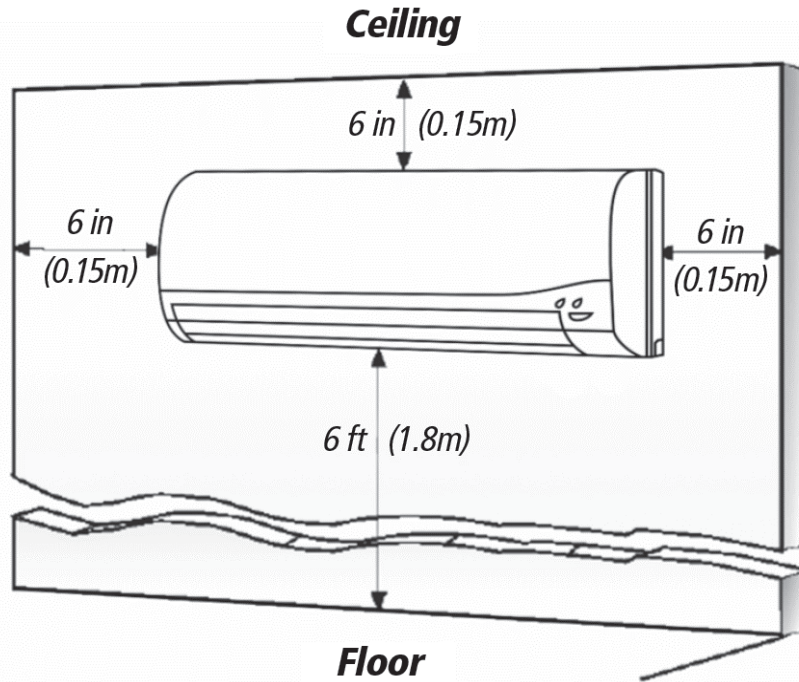
Outdoor Ambient Temperature (DB)	Indoor Entering Air Temperatures								
	68°F DB			70°F DB			80°F DB		
	57°FFWB			60°FFWB			67°FFWB		
	TC	Power Input (KW)	COP	TC	Power Input (KW)	COP	TC	Power Input (KW)	COP
-5°F	4370	620	2.1	4560	632	2.1	4750	645	2.2
0°F	5035	632	2.3	5225	645	2.4	5415	658	2.4
5°F	5320	645	2.4	5510	658	2.5	5700	672	2.5
10°F	5510	658	2.5	5700	672	2.5	5890	685	2.5
17°F	6143	672	2.7	6333	686	2.7	6523	699	2.7
19°F	6460	686	2.8	6650	700	2.8	6840	714	2.8
24°F	7410	700	3.1	7600	714	3.1	7790	728	3.1
32°F	8170	714	3.4	8360	728	3.4	8550	743	3.4
41°F	8835	728	3.6	9025	743	3.6	9215	758	3.6
43°F	9120	743	3.6	9310	759	3.6	9500	774	3.6
47°F	9310	759	3.6	9500	774	3.6	9690	789	3.6
53°F	9405	781	3.5	9595	797	3.5	9785	813	3.5
59°F	9500	805	3.5	9690	821	3.5	9880	838	3.5
64°F	9785	829	3.5	9975	846	3.5	10165	863	3.5
70°F	10070	854	3.5	10260	871	3.5	10450	889	3.5
75°F	10355	879	3.5	10545	897	3.4	10735	915	3.4
78°F	10735	906	3.5	10925	924	3.5	11115	943	3.5

TC- Total Capacity (BtuH)
 COP- Coefficient of Performance

MINIMUM SPACING REQUIREMENTS

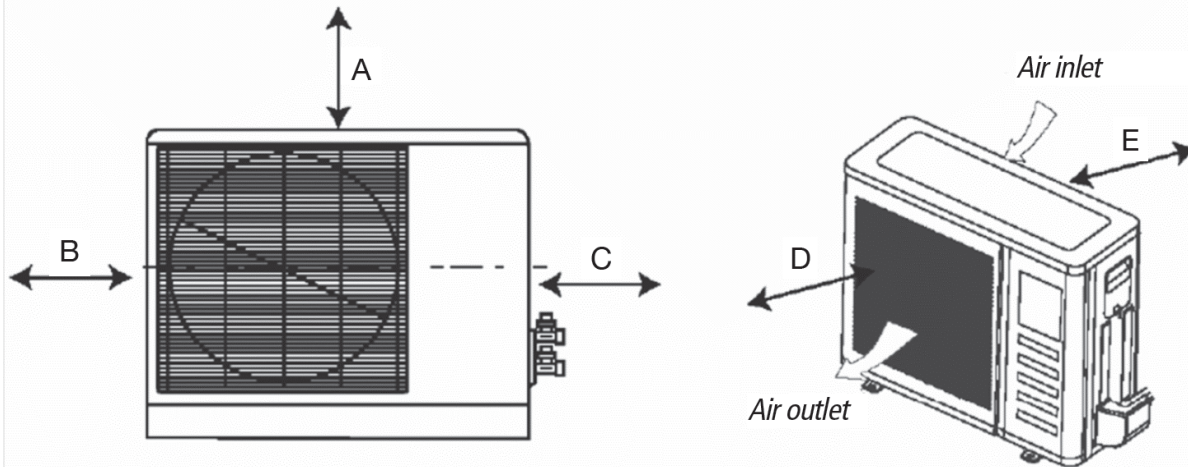
Units: inch (m)

INDOOR



OUTDOOR

Minimum Outdoor Clearances



	Minimum Distance
A	20 (500)
B	12 (305)
C	20 (500)
D	78 (1980)
E	12 (305)

Units: inch (mm)

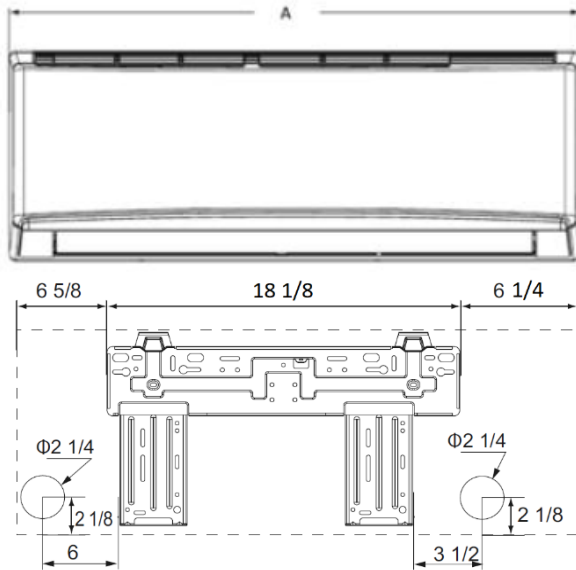
DIMENSIONAL SPECIFICATIONS

LIVV09HP230V1A

INDOOR UNIT DIMENSIONS

Units: inch

Model No: LIVV09HP230V1AH



Dimensions	
A	31 1/8
B	10 3/4
C	7 7/8

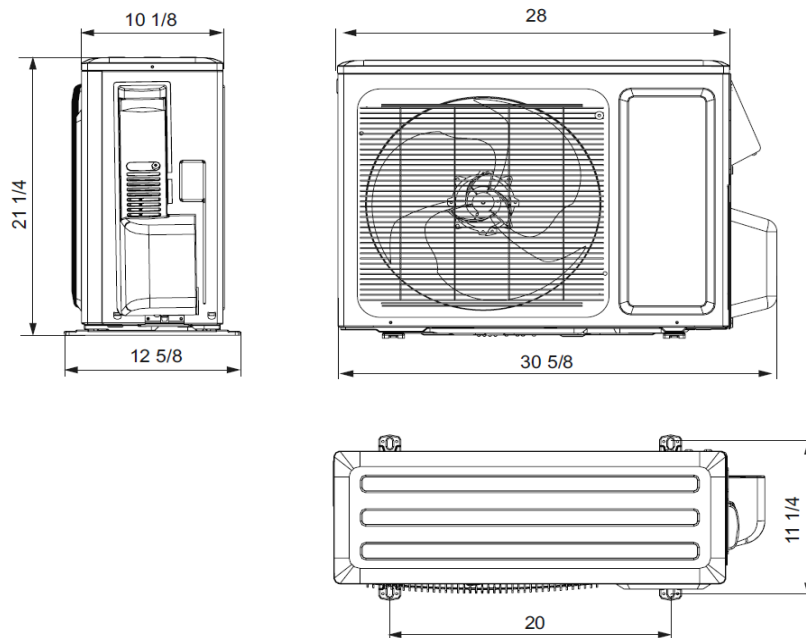
Weight (Net/Gross) 19.8/24.3 lbs

Liquid Line Valve	1/4-in OD Flared
Gas Line Valve	3/8-in OD Flared
Drain Connector	5/8-in OD

OUTDOOR UNIT DIMENSIONS

Units: inch

Model No: LIVV09HP230V1AO



Weight (Net/Gross) 54.8 / 63.9 lbs

Liquid Line Valve	1/4-in OD Flared
Gas Line Valve	3/8-in OD Flared

Notes:

1. Recommended Interconnecting Cable Type 14 AWG 4 Stranded Copper Conductors THHN 600V Wire
2. Power wiring cable size must comply with applicable national and local codes.
3. Test conditions are based on AHRI 210/240.

Specifications are subject to change without notice. Manufacturer reserves the right to discontinue or modify specifications or designs without notice or without incurring obligations. All rights reserved.