



SUBMITTAL DATA: LIVV36HP230V1A 36000 BTU/H Wall Mounted Heat Pump System

| | | |
|------------------|--------------|------|
| Job Name | Location | Date |
| Purchaser | Engineer | |
| Submitted To | For | |
| Unit Designation | Schedule No. | |

YAN1F6F LIVV36HP230V1AH LIVV36HP230V1AO



XE71 (Optional)

GENERAL FEATURES

- AHRI Certificate: [205291861](#)**
- High Efficiency DC Inverter Technology**
- Compact and Quiet Design**
- Wireless Remote with LCD Display**
- Wired Controller Options**
- Wi-Fi Included**
- Low Ambient Cooling down to -4°F (Range -4°F to 115°F)**
- Low Ambient Heating down to -13°F (Range -13°F to 75°F)**
- Coil (Indoor and Outdoor) Copper Tube / Aluminum Fin*[†]**
- * (Blue Fin) 500 Hrs Salt Spray Tested**

5 Year Limited Compressor & Parts Warranty (Residential Only)

SPECIFICATIONS

LIVV36HP230V1AH / LIVV36HP230V1AO

| | | | |
|--|-----------------------|---|---------------------------|
| System Type | | HEAT PUMP | |
| SYSTEM PERFORMANCE | | | |
| Cooling | Rated Capacity @ 95°F | Btu/h | 33600 |
| | Min-Max Capacity | Btu/h | 5951 - 36000 |
| Heating | Rated Capacity @ 47°F | Btu/h | 34600 |
| | Min-Max Capacity | Btu/h | 8530 - 37020 |
| SEER / EER | | 18 / 9.21 | |
| HSPF / COP | | 9 / 2.8 | |
| Energy Star® | | NO | |
| Cooling Temperature Range | | °F | -4 - 115 |
| Heating Temperature Range | | °F | -13 - 75 |
| INDOOR UNIT | | LIVV36HP230V1AH | |
| Fan Motor Output Power | | W | 70 |
| Fan Motor FLA | | amps | 0.55 |
| Air Flow (Min - Max) | | CFM | 441 - 824 |
| Sound Pressure Level (Cooling / Heating) | | dB(A) | 37 - 55 / 41 - 55 |
| Dehumidification | | pt/hr | 7.4 |
| Condensate Drain Size (OD) | | in | 0.625 |
| Unit Dimension (WxHxD) | | in | 53 1/8 x 12 3/4 x 10 |
| Package Dimension (WxHxD) | | in | 57 x 17 x 14 |
| Weight (Net / Gross) | | lbs | 44.1 / 54 |
| OUTDOOR UNIT | | LIVV36HP230V1AO | |
| Compressor Type | | GREE G-10 / 1 STAGE INVERTER | |
| Compressor RLA | | amps | 16.90 |
| Fan Motor Output Power | | W | 92 |
| Fan Motor RLA | | amps | 0.70 |
| Sound Pressure Level (Cooling / Heating) | | dB(A) | 61 |
| Unit Dimension (WxHxD) | | in | 39 3/8 x 31 1/8 x 14 9/16 |
| Package Dimension (WxHxD) | | in | 43 x 33 x 19 |
| Weight (Net / Gross) | | lbs | 140 / 151 |
| Refrigerant Charge - R410A | | oz | 88 |
| Coil Type | | Aluminum Fin-Copper Tube / Acrylic Resin Protection | |
| REFRIGERANT PIPING | | | |
| Line Set Size (Liquid - Gas) | | in | 1/4 - 5/8 |
| Pre-Charge Lengh | | ft | 25 |
| Pipe Length (Min - Max) | | ft | 10 - 82 |
| Max. Pipe Elevation | | ft | 33 |
| ELECTRICAL | | | |
| Power Supply (Voltage Operating Range) | | 208-230V / 1Ph / 60Hz | |
| Rated Current (Cooling / Heating) | | amps | 18 / 19 |
| MCA / MOCP | | amps | 24 / 35 |
| Main Power Wire Size | | AWG | Size Per Local Code |
| Interconnecting Wire Size | | AWG | 14 / 4 |
| LIMITED WARRANTY | | 5 Years Parts and Compressor - Residential | |

Features & Function Summary**LIVV36HP230V1A****SYSTEM FEATURES**

| | |
|------------------------------------|------------------------------|
| Inverter Type | G10 |
| Ultra Low Frequency Torque Control | Yes |
| Power Factor Correction | Yes |
| Compressor Type | High Eff. Rotary |
| Refrigerant Type | R410A |
| Basepan With Electric Heater | YES |
| Compressor With Electric Heater | YES |
| Outdoor Fin Coating (Color: Blue) | Acrylic-Resin/Anti-Corrosive |
| Intelligent Defrosting | YES |
| Force Defrosting | YES |
| Intelligent Preheating | YES |
| Low Voltage Startup | YES |
| Memory/Power Failure Recovery | YES |
| Self Diagnosis | YES |
| Wired Controller Interface (XE71) | YES |
| WiFi Included | YES |
| Indoor Fan Type | Crossflow |
| Multi Fan Speeds | 4 Speeds |
| Indoor Unit Display | YES |
| Auxiliary Electrical Heater | NO |
| Ventilation (Outdoor Air) | NO |

REMOTE CONTROLLER FUNCTIONS

| | |
|----------------------------------|-----|
| Auto Mode | YES |
| Auto Fan | YES |
| Manual Horizontal Swing | YES |
| Auto Swing (Vertical Auto Swing) | YES |
| Clock on Remote Controller | YES |
| Dry Mode | YES |
| Dry Anti-Mildew (X-Fan) Mode | YES |
| Energy Saving Mode | YES |
| Dirty Filter Alert | NO |
| I Feel Function | YES |
| Lock on Remote Controller | YES |
| Quiet Mode | NO |
| Room Temperature Display | YES |
| Sleep Mode | YES |
| Timer Mode | YES |
| Turbo Mode | YES |
| Display On/Off Control | YES |
| Freeze Guard Mode (46 °F) | YES |
| Display On/Off Control | YES |

EXTENDED RATINGS

LIVV36HP230V1A

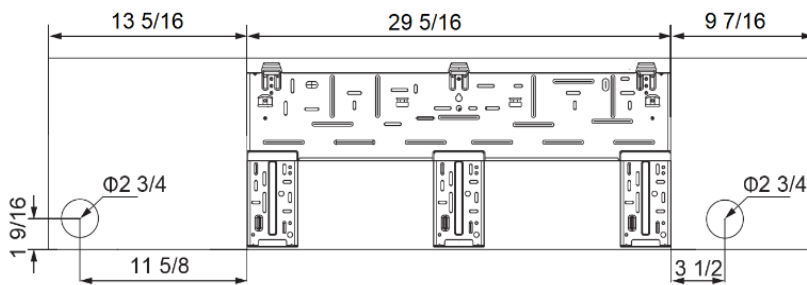
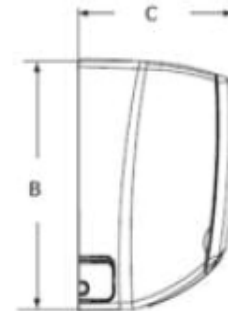
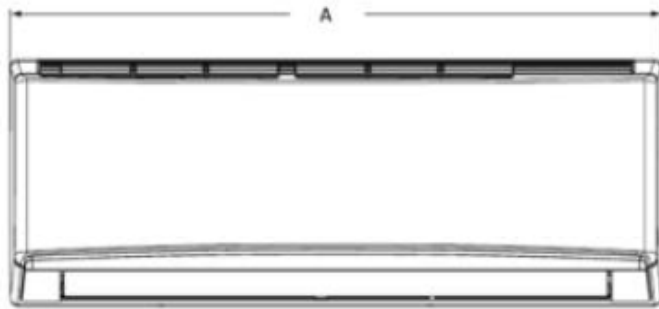
COOLING PERFORMANCE (BtuH)*

| Outdoor Ambient Temperature (DB) | Indoor Entering Air Temperatures | | | | | |
|----------------------------------|----------------------------------|-------|---------|-------|---------|-------|
| | 68°F DB | | 73°F DB | | 80°F DB | |
| | 57°FWB | | 61°FWB | | 67°FWB | |
| | TC | SHC | TC | SHC | TC | SHC |
| 0°F | 11424 | 8282 | 14112 | 10231 | 16800 | 12180 |
| 5°F | 13104 | 9566 | 15792 | 11528 | 18480 | 13490 |
| 17°F | 14784 | 10866 | 17472 | 12842 | 20160 | 14818 |
| 23°F | 15456 | 11437 | 18144 | 13427 | 20832 | 15416 |
| 32°F | 16128 | 12015 | 18816 | 14018 | 21504 | 16021 |
| 41°F | 18144 | 13608 | 20832 | 15624 | 23520 | 17640 |
| 50°F | 20160 | 15221 | 22848 | 17250 | 25536 | 19280 |
| 57°F | 21504 | 16343 | 24192 | 18386 | 26880 | 20429 |
| 67°F | 22512 | 17222 | 25200 | 19278 | 27888 | 21334 |
| 75°F | 28224 | 21733 | 30912 | 23802 | 33600 | 25872 |
| 86°F | 31248 | 24217 | 33936 | 26300 | 36624 | 28384 |
| 95°F | 28224 | 22015 | 30912 | 24111 | 33600 | 26208 |
| 104°F | 24864 | 19518 | 27552 | 21628 | 30240 | 23738 |
| 113°F | 22848 | 18050 | 25536 | 20173 | 28224 | 22297 |
| 122°F | 19488 | 15493 | 22176 | 17630 | 24864 | 19767 |

HEATING PERFORMANCE (BtuH)*

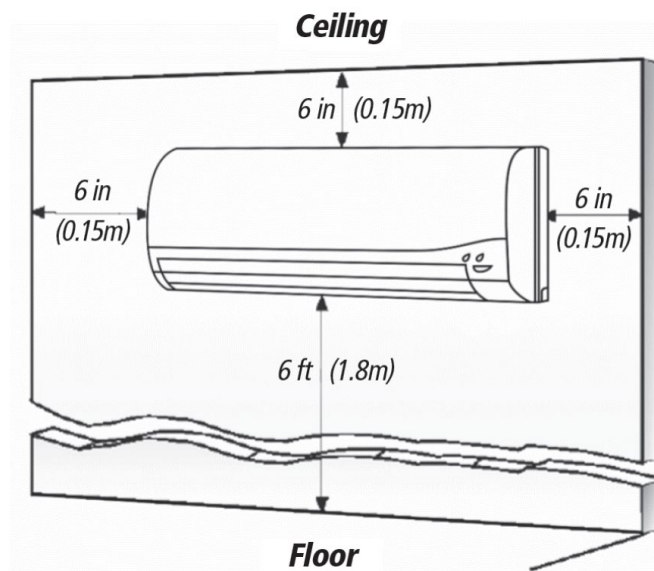
| Outdoor Ambient Temperature (DB) | Indoor Entering Air Temperatures | | | | | | | | |
|----------------------------------|----------------------------------|------------------|------|---------|------------------|------|---------|------------------|------|
| | 68°F DB | | | 70°F DB | | | 80°F DB | | |
| | 57°FWB | | | 60°FWB | | | 67°FWB | | |
| | TC | Power Input (KW) | COP | TC | Power Input (KW) | COP | TC | Power Input (KW) | COP |
| -5°F | 15916 | 2899 | 1.61 | 16608 | 2958 | 1.65 | 17300 | 3017 | 1.68 |
| 0°F | 18338 | 2958 | 1.82 | 19030 | 3018 | 1.85 | 19722 | 3079 | 1.88 |
| 5°F | 19376 | 3018 | 1.88 | 20068 | 3080 | 1.91 | 20760 | 3141 | 1.94 |
| 10°F | 20068 | 3080 | 1.91 | 20760 | 3143 | 1.94 | 21452 | 3205 | 1.96 |
| 17°F | 22375 | 3143 | 2.09 | 23067 | 3207 | 2.11 | 23759 | 3271 | 2.13 |
| 19°F | 23528 | 3207 | 2.15 | 24220 | 3272 | 2.17 | 24912 | 3338 | 2.19 |
| 24°F | 26988 | 3272 | 2.42 | 27680 | 3339 | 2.43 | 28372 | 3406 | 2.44 |
| 32°F | 29756 | 3339 | 2.61 | 30448 | 3407 | 2.62 | 31140 | 3475 | 2.63 |
| 41°F | 32178 | 3407 | 2.77 | 32870 | 3477 | 2.77 | 33562 | 3546 | 2.77 |
| 43°F | 33216 | 3477 | 2.80 | 33908 | 3548 | 2.80 | 34600 | 3619 | 2.80 |
| 47°F | 33908 | 3548 | 2.80 | 34600 | 3620 | 2.80 | 35292 | 3692 | 2.80 |
| 53°F | 34254 | 3654 | 2.75 | 34946 | 3729 | 2.75 | 35638 | 3803 | 2.75 |
| 59°F | 34600 | 3764 | 2.69 | 35292 | 3840 | 2.69 | 35984 | 3917 | 2.69 |
| 64°F | 35638 | 3877 | 2.69 | 36330 | 3956 | 2.69 | 37022 | 4035 | 2.69 |
| 70°F | 36676 | 3993 | 2.69 | 37368 | 4074 | 2.69 | 38060 | 4156 | 2.68 |
| 75°F | 37714 | 4113 | 2.69 | 38406 | 4197 | 2.68 | 39098 | 4281 | 2.68 |
| 78°F | 39098 | 4236 | 2.71 | 39790 | 4322 | 2.70 | 40482 | 4409 | 2.69 |

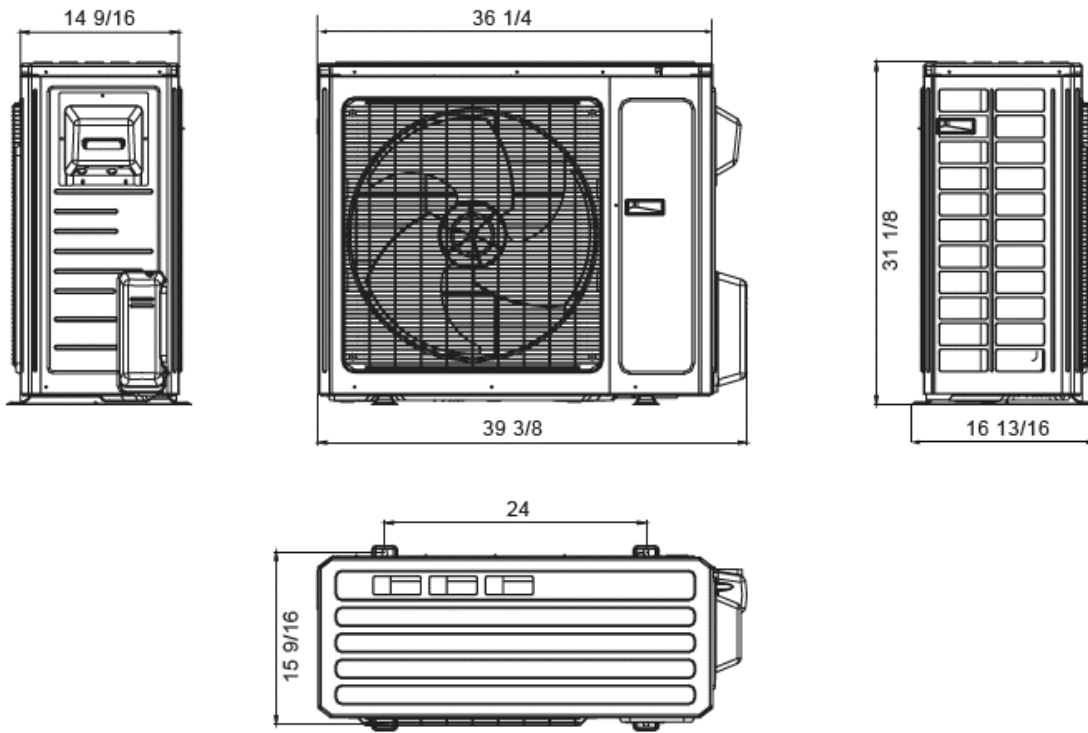
* Maximum system capacity
 TC- Total Capacity (BtuH)
 COP- Coefficient of Performance



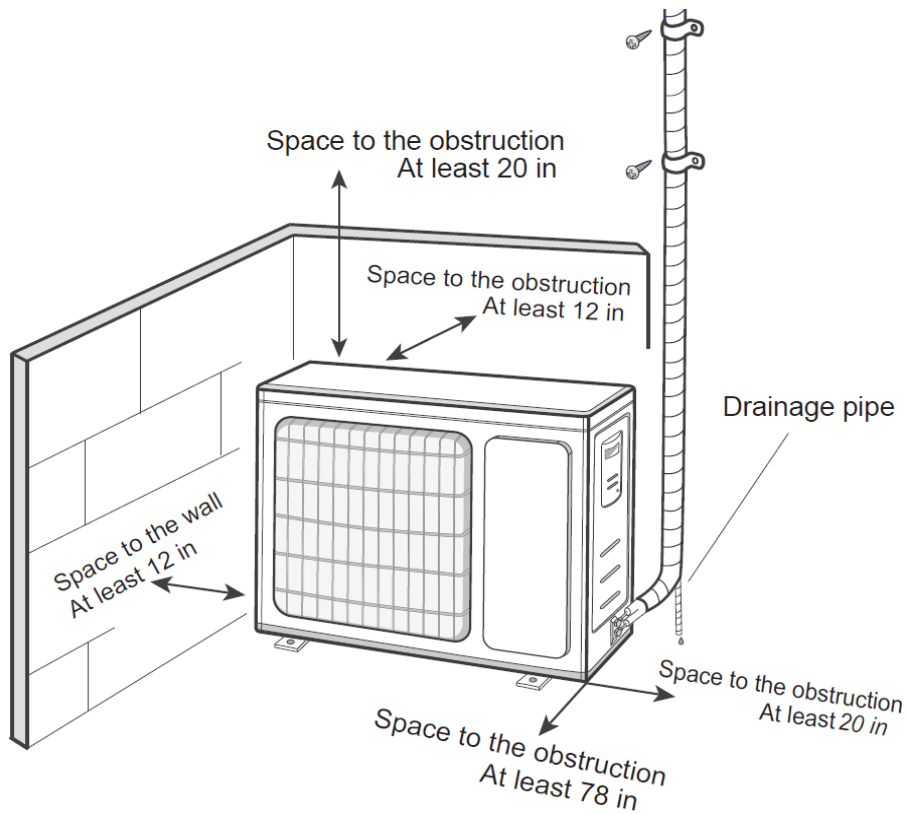
| Dimensions | |
|------------|------------------|
| A | $53 \frac{1}{8}$ |
| B | $12 \frac{3}{4}$ |
| C | 10 |

Unit = Inch





Unit = Inch



Specifications are subject to change without notice. Manufacturer reserves the right to discontinue or modify specifications or designs without notice or without incurring obligations. All Rights reserved.