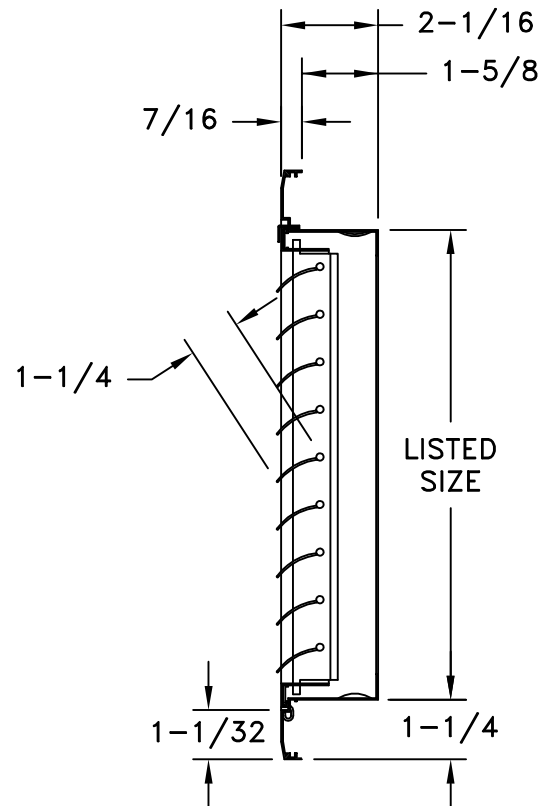
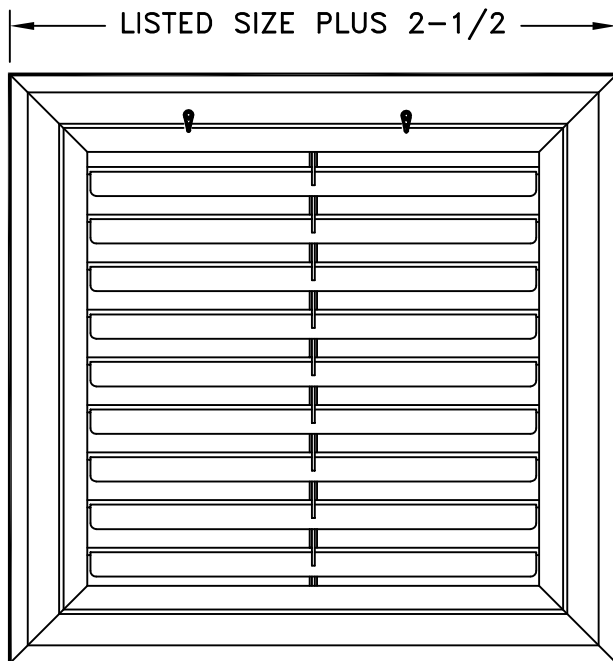
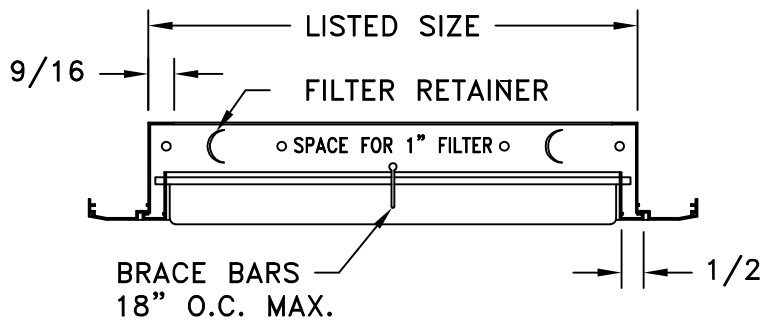


- EXTRUDED ALUMINUM CONSTRUCTION
- HINGES LOCATED AT BOTTOM ON WIDTH DIMENSION
- OPTIONAL FACE MOUNTING HOLES WITH SCREWS
- CURVED BLADES FIXED ON 1 INCH CENTERS
- FILTER FRAME MAY BE SCREW FASTENED TO DUCT
- USES NOMINAL 1 INCH DISPOSABLE FILTERS
- FILTER SIZE EQUALS LISTED SIZE MINUS 1/4 INCH
- MINIMUM SIZE: 6 X 6
- MAXIMUM SIZE: 48 X 48 ONE PIECE CONSTRUCTION
- AVAILABLE IN 1 INCH INCREMENTS
- SATIN ANODIZED (SA) OR WHITE (W) ENAMEL FINISH



JOB NAME: _____
 LOCATION: _____
 ARCHITECT: _____
 ENGINEER: _____
 CONTRACTOR: _____

SUBMITTED BY: _____

DATE: 04/05/2013 | SD-9121
RCBF
 Extruded Aluminum
 RCB Grille
 Hinged To Filter Frame