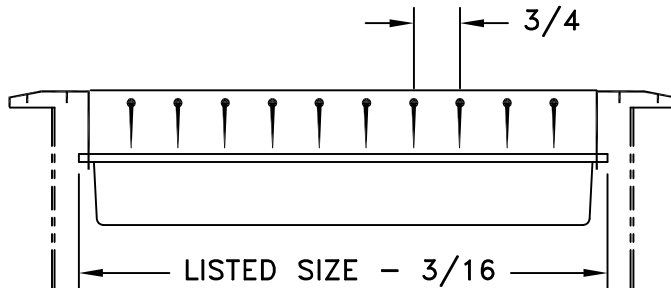
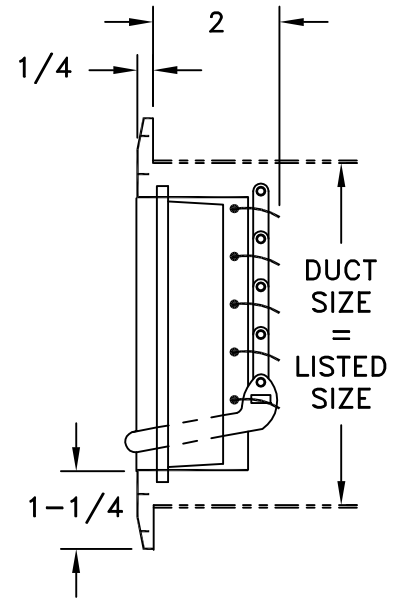
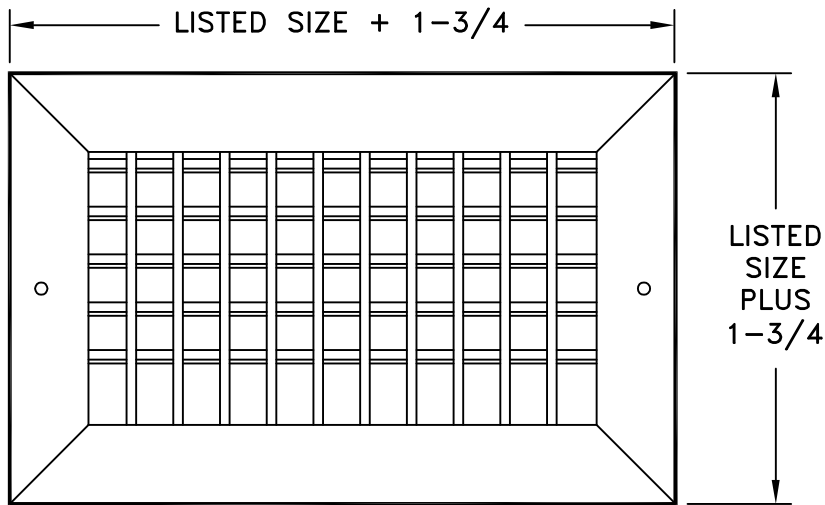


- EXTRUDED ALUMINUM CONSTRUCTION
- STYLES:
 - VM VERTICAL FACE BARS
 - HM HORIZONTAL FACE BARS
- BARS ARE ON 3/4 INCH CENTERS AND INDIVIDUALLY ADJUSTABLE
- LEVER OPERATED MULTI-SHUTTER DAMPER
- SCREW HOLE LOCATIONS STANDARD UNLESS OTHER WISE SPECIFIED
- FOR SCREW HOLE LOCATIONS SEE SD-9140
- MINIMUM SIZE: 6 X 4
- MAXIMUM SIZE: 36 X 36 ONE PIECE CONSTRUCTION
- AVAILABLE IN 1 INCH INCREMENTS
- FINISH: WHITE (W) ENAMEL OR SATIN ANODIZED (SA)



VM VERTICAL FACE BARS

JOB NAME: _____
 LOCATION: _____
 ARCHITECT: _____
 ENGINEER: _____
 CONTRACTOR: _____

SUBMITTED BY: _____

DATE: 6/23/03

SD-9113

HM, VM
 Extruded Aluminum Supply
 Registers With Multi-Shutter
 Damper