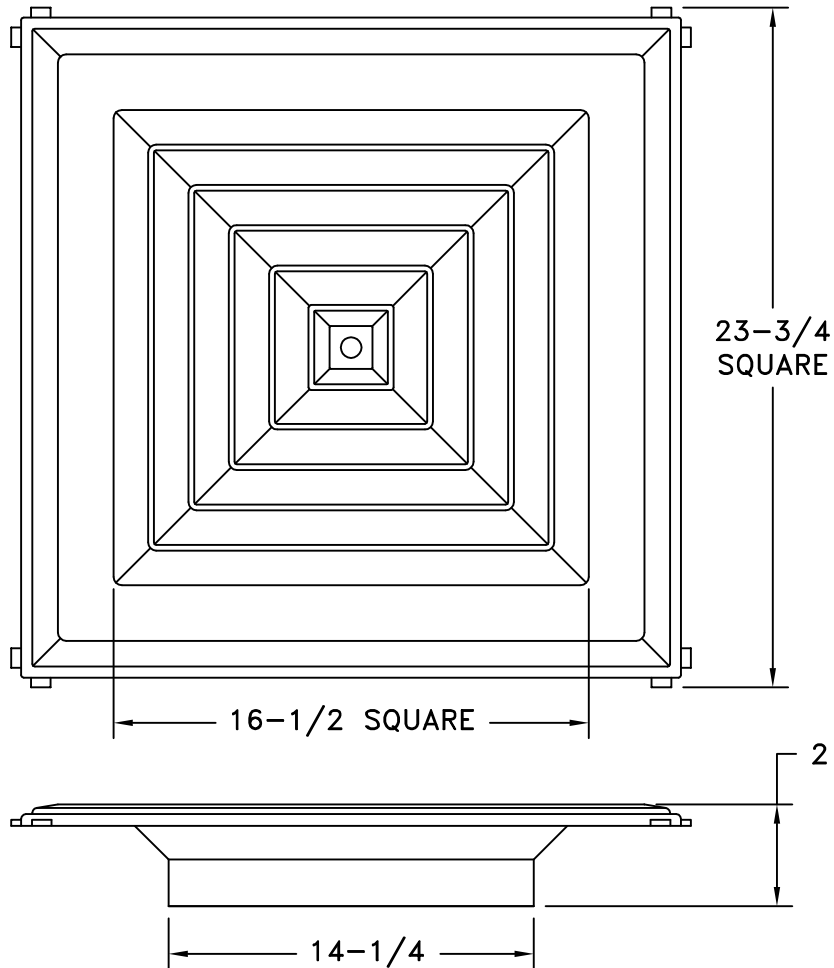


- ENGINEERED UV RESISTANT POLYMER CONSTRUCTION
- 4-WAY DEFLECTION
- SQUARE TO ROUND ADAPTER AVAILABLE IN 6", 8", 10", 12" AND AND 14" SIZES. MUST BE ORDERED SEPARATELY, MODEL **RZSR**.
- CONTAINS METAL SCREWS ON BACKSIDE OF DIFFUSER TO AFFIX CORE
- REMOVEABLE CENTER PLUG TO ADJUST OPTIONAL RD DAMPER FOR RZSR
- DIFFUSERS INSTALLED IN GRID CEILING SYSTEMS SHOULD BE SUPPORTED INDEPENDENT OF THE CEILING HARDWARE
- FINISH: WHITE (W)



JOB NAME: _____	SUBMITTED BY: _____	DATE: 08/13/2013	SD-2153
LOCATION: _____	<b>RZSRT</b> Plastic T-Bar Louvered Diffuser		
ARCHITECT: _____			
ENGINEER: _____			
CONTRACTOR: _____			