



P70, P72, and P170 Series Controls for Dual Pressure Applications

Installation Instructions

Part No. 24-8607-0, Rev. G
Issued March 18, 2013
Supersedes December 12, 2012

Refer to the [QuickLIT Web site](#) for the most up-to-date version of this document.

Applications

The P70, P72, and P170 Controls for Dual Pressure Applications provide combined high and low pressure control of compressors on commercial refrigeration and air conditioning applications.

IMPORTANT: Except for those models listed as refrigeration temperature limiting controls, use this P70, P72, and P170 Series Controls for Dual Pressure Applications only as an operating control. Where failure or malfunction of the P70, P72, or P170 Pressure Control could lead to personal injury or property damage to the controlled equipment or other property, additional precautions must be designed into the control system. Incorporate and maintain other devices, such as supervisory or alarm systems or safety or limit controls, intended to warn of or protect against failure or malfunction of the P70, P72, or P170 Pressure Control.

P70S and P170S models have independently operated high and low pressure Single-Pole Double-Throw (SPDT) switches that can be wired to satisfy a variety of control requirements. These adaptable controls have a high pressure manual reset lockout mechanism that is convertible to automatic reset. See Table 1.

P70L, M, N, and P170L, M, N models have a Single-Pole Single-Throw (SPST) switch. Models are available with automatic or manual reset lockout options. Models with manual reset are available with either high-side-only manual reset, or low-side and high-side manual reset. (See Table 1 and Table 3.) Ammonia compatible models are available (P70L and P70M only). See Table 2.

P72 models have a Double-Pole Single-Throw (DPST) switch with load-carrying contacts that can provide direct control of 208/240 VAC, single-phase motors up to 3 hp, 480, and 600 VAC single-phase non-compressor motors and 208/220 VAC, 3-phase motors up to 5 hp. See Table 3.

These controls are available in several pressure ranges and are compatible with most common refrigerants. Ammonia-compatible models are also available (P70L and P70M only). See Table 2.

The MICRO-SET® option provides fine adjustment of the differential setting for precision pressure control of low pressure applications.

Some models feature Limited Knob Adjustment, which restricts adjustment of the pressure settings and deters over-adjustment or tampering. See [Low Pressure Limited Knob Adjustment](#).

A Manual Reset Lockout option does not allow the pressure control to reset automatically after CUT OUT is reached, and provides shutdown capability for unmonitored equipment. See [Manual Reset Operation](#).

NEMA 1 enclosures are standard on most models. NEMA 3R enclosures are also available.

Table 1 through Table 2 list the standard models and features of P70, P72, and P170 controls for dual pressure applications. These standard models are available through most authorized Johnson Controls/PENN® distributors.

Table 1: Standard Model P70, P72, and P170 MICRO-SET® Dual Pressure Controls for Non-Corrosive Refrigerants

Model Code Number	Switch Action	Low Pressure Side psig (kPa)		High Pressure Side psig (kPa)		Pressure Connector	Limited Knob Adjustment
		Range	Differential	Range	Differential (Non-Adjustable)		
P70LB-6 ¹	SPST	12 in. Hg to 80 psig (-41 to 552)	Min 5 (34) Max 35 (241)	100 to 500 (690 to 3,447)	Fixed Approximately 65 (448)	36 in. Capillary with 1/4 in. Flare Nut	Low CUT OUT
P70MA-18 ¹					Lockout Requires Manual Reset		None
P70SA-1 ¹					Two Independent SPDT		Fixed at 65 (448) or Lockout Requires Manual Reset
P170LB-6 ¹	SPST				Fixed Approximately 65 (448)	1/4 in. Male Flare Connector	Low CUT OUT
P170MA-18 ¹					Lockout Requires Manual Reset		None
P170SA-1 ¹					Two Independent SPDT		Fixed at 65 (448) or Lockout Requires Manual Reset

1. Control models with high pressure side (only) that are UL Listed as Refrigeration Pressure Limiting Controls.

Table 2: Standard Model P70, P72, and P170 All Range Dual Pressure Controls for Ammonia

Model Code Number	Switch Action	Low Pressure Side psig (kPa)		High Pressure Side psig (kPa)		Pressure Connector	Limited Knob Adjustment
		Range	Differential	Range	Differential (Non-Adjustable)		
P70LA-2 ¹	SPST	20 in. Hg to 100 psig (-68 to 690)	Min 7 (48) Max 50 (345)	100 to 500 (690 to 3,447)	Fixed Approximately 65 (448)	1/4 in. Female NPT Connector	None
P70MA-2 ¹					Lockout Requires Manual Reset		

1. Control models with high pressure side (only) that are UL Listed as Refrigeration Pressure Limiting Controls.

Table 3: Standard Model P70, P72, and P170 All Range Dual Pressure Controls for Non-Corrosive Refrigerants

Model Code Number	Switch Action	Low Pressure Side psig (kPa)		High Pressure Side psig (kPa)		Pressure Connector	Limited Knob Adjustment
		Range	Differential	Range	Differential (Non-Adjustable)		
P70LB-1 ¹	SPST	20 in. Hg to 100 psig (-68 to 690)	Min 6 (41) Max 50 (345)	100 to 500 (690 to 3,447)	Fixed Approximately 65 (448)	36 in. Capillary with 1/4 in. Flare Nut	Low CUT OUT
P70MA-1 ¹							None
P70NA-1							Fixed (Manual Reset)
P72LA-1 ¹	DPST		Min 7 (48) Max 50 (345)		Fixed Approximately 65 (448)		None
P72LB-1 ¹							Low CUT OUT
P72MA-1 ¹							None
P72NA-1 ¹							Fixed (Manual Reset)
P170LB-1 ¹	SPST		Min 7 (48) Max 50 (345)		Fixed Approximately 65 (448)	1/4 in. Male Flare Connector	Low CUT OUT
P170MA-1 ¹							None
P170NA-1							Fixed (Manual Reset)

1. Control models with high pressure side (only) that are UL Listed as Refrigeration Pressure Limiting Controls.

Installation

Dimensions

See Figure 1 and Figure 2 for dimensional information.

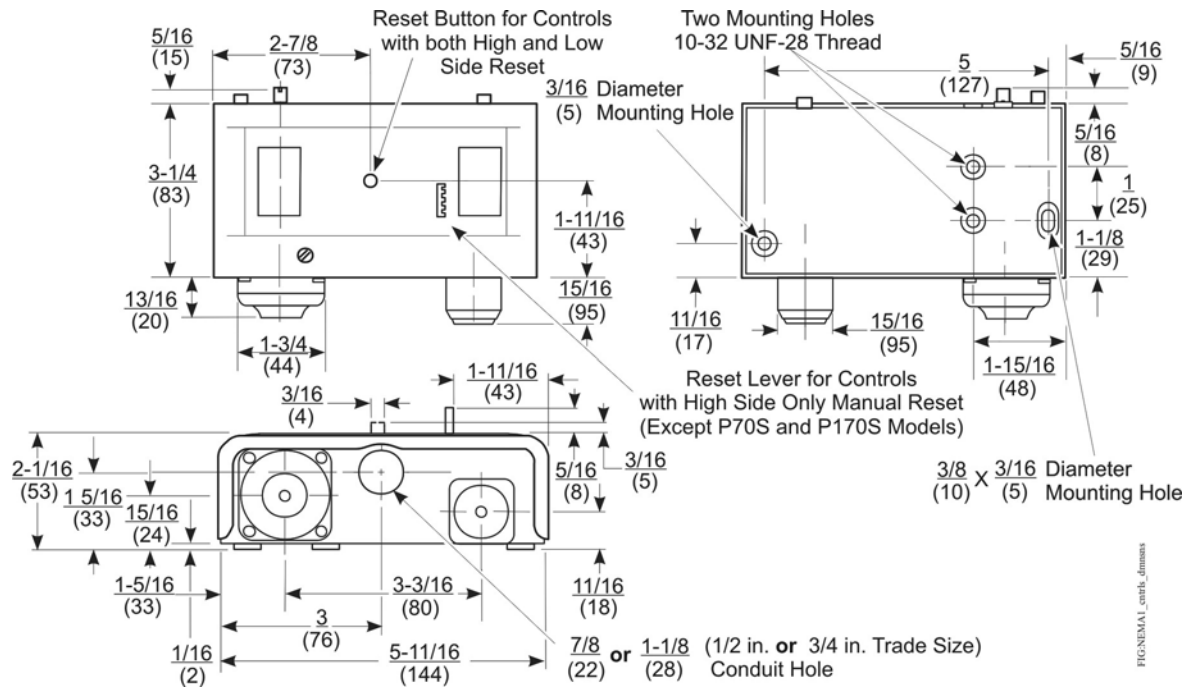


Figure 1: Dimensions for P70, P72, and P170 Dual Pressure Controls with NEMA 1 Enclosure, in. (mm)

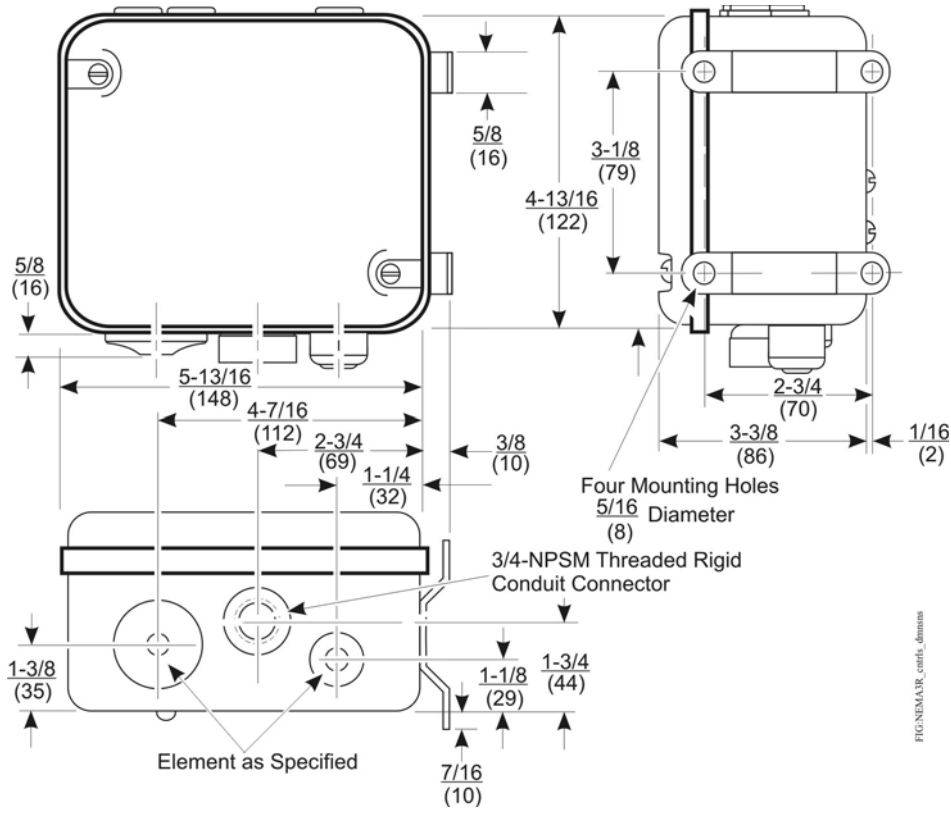


Figure 2: Dimensions for P70, P72, and P170 Dual Pressure Controls with NEMA 3R Enclosure, in. (mm)

Mounting



CAUTION: Risk of Property Damage. Mount the pressure control separately from the electrical cabinet and seal all electrical piping to prevent ammonia from migrating to electrical components. Where there may be exposure to ammonia, use only ammonia-compatible control modules and pressure connections. System shutdown due to improper adjustment may cause property damage.



CAUTION: Risk of Property Damage. Mount the P70, P72, or P170 Pressure Control according to the instructions and guidelines included with the control. These instructions and guidelines are intended to reduce the risk of malfunction of the product and resulting property damage. Failure to follow these instructions and guidelines could cause the control to malfunction, resulting in property damage.

IMPORTANT: Use only the mounting screws supplied with the Universal Mounting Bracket to avoid damaging internal components. Be careful not to distort or bend the control case when mounting the control to an uneven surface. Using other screws or bending the control case will void the warranty.

Observe the following guidelines when installing this device:

- Mount the control in an accessible position, where the control and pressure-connection lines are not subject to damage.
- Mount the pressure control upright and level.
- Position the pressure-connection lines to allow drainage away from control bellows.
- Locate pressure-tap points on the topside of the refrigerant lines to reduce the possibility of oil, liquids, or sediment accumulating in the bellows, which could cause control malfunction.
- Mount controls with NEMA 1 enclosures on horizontal or vertical flat surfaces.
 - Use two screws or bolts through the two outer holes on the back of the control case when mounting the control directly to a flat vertical surface. See Figure 3.

- Use the two inner holes with the Universal Mounting Bracket (and screws supplied) when mounting the control to a flat horizontal surface. See Figure 3.

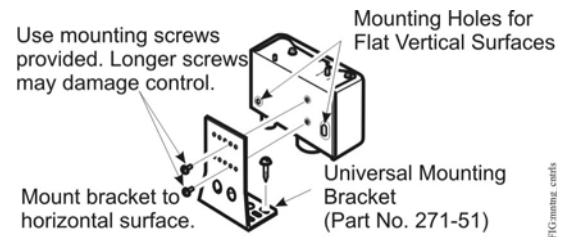


Figure 3: Mounting Dual Pressure Controls with NEMA 1 Enclosures

- Mount controls with NEMA 3R enclosures in a level, upright position with the bellows and conduit connection facing down. Ensure that all gaskets are in place. Mounting controls with NEMA 3R enclosures in any position other than upright and level may trap water in the enclosure and submerge internal components.

Wiring



WARNING: Risk of Electric Shock. Disconnect or isolate all power supplies before making electrical connections. More than one disconnect or isolation may be required to completely de-energize equipment. Contact with components carrying hazardous voltage can cause electric shock and may result in severe personal injury or death.

IMPORTANT: Use copper conductors only. Make all wiring connections in accordance with local, national, and regional regulations. Do not exceed the P70, P72, or P170 Pressure Control electrical ratings.

IMPORTANT: Use terminal screws furnished in the switch block. Using other terminal screws will void the warranty and may damage the switch.

P70, P72, and P170 controls for dual pressure applications are available with several switch options and electrical ratings. Check the label inside the control cover for model number, switch action, and electrical rating. Check the wiring terminal designations on the control switch block, and see the following guidelines and applicable wiring diagrams, when wiring the control. See Table 1 through Table 3 for switch actions and models. See [Technical Specifications](#).

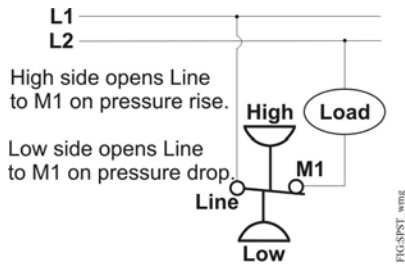


Figure 4: Typical Wiring for SPST Switch (P70L, M, N, and P170L, M, N Models)

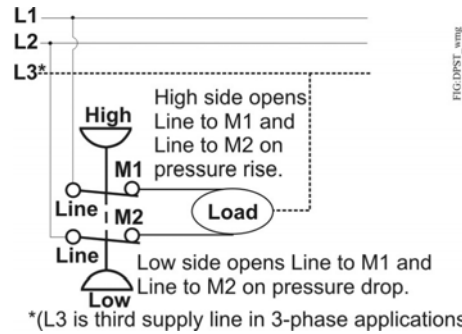


Figure 6: Typical Wiring for DPST Switch (P72L, M, and N Models)

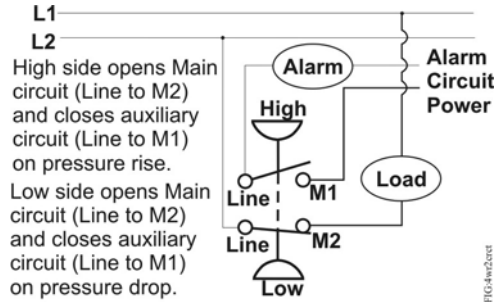


Figure 5: Typical Wiring for 4-Wire, 2-Circuit Switch (P70P, Q and R Models)

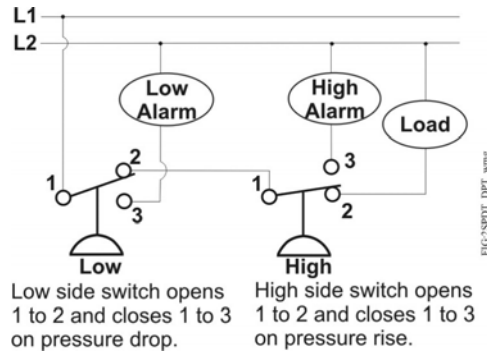


Figure 7: Two SPDT Switches Wired as a Dual Pressure Control (P70S and P170S Models)

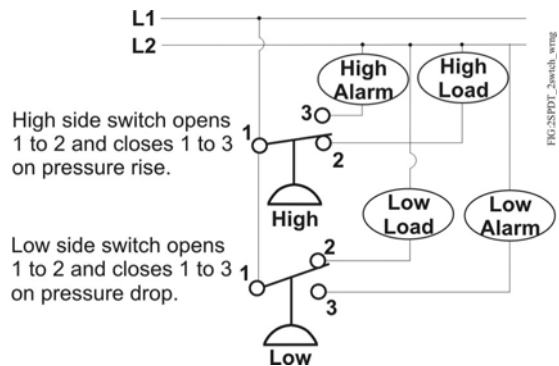


Figure 8: Two SPDT Switches Wired to Control Two Different Loads (P70S and P170S Models)

Piping



CAUTION: Risk of Environmental and Property Damage.

Avoid sharp bends in the capillary tubes. Sharp bends can weaken or kink capillary tubes, which may result in refrigerant leaks or restrictions of flow.



CAUTION: Risk of Environmental and Property Damage.

Coil and secure excess capillary tubing away from contact with sharp or abrasive objects or surfaces. Vibration or sharp or abrasive objects in contact with capillary tubes can cause damage that may result in refrigerant leaks or loss of element charge, which may result in damage to the environment or property.

IMPORTANT: If the control is installed on equipment that contains hazardous or regulated materials such as certain refrigerants or lubricants, you must comply with all standards and regulations governing the containment and handling of those materials.

IMPORTANT: Do not apply more than 9 ft-lb (12 N·m) of torque to the flare nuts on pressure connection line fittings. Overtightening or applying more than 9 ft-lb (12 N·m) of torque may cause seal failure and will void the warranty.

P70, P72, and P170 dual pressure controls are typically connected to the controlled equipment by a capillary (except ammonia compatible models). These controls are available with a variety of pressure connection styles.

Avoid severe pressure pulsation at high side pressure connections. Install pressure connection to pressure-tap points away from the compressor, to minimize the effects of pressure pulsation from reciprocating compressors.

IMPORTANT: After installing the control, evacuate pneumatic and pressure connection lines to remove air, moisture, and other contaminants in a manner consistent with applicable environmental regulations and standards.

Setup and Adjustments



CAUTION: Risk of Property Damage.

Obtain and use the compressor manufacturer's net oil bearing pressure specifications. If necessary, reset the cut-out pressure difference to the manufacturer's specifications. Using improper pressure settings may damage the control, compressor, or other controlled equipment.

IMPORTANT: Use the pressure control settings recommended by the manufacturer of the controlled equipment. Do not exceed the pressure ratings of the controlled equipment or any of its components when checking pressure control operation or operating the controlled equipment.

IMPORTANT: After mounting, wiring and evacuating the control, attach a reliable set of gauges to the controlled equipment, and operate the equipment (at least) three cycles at the pressures necessary to verify control setpoints and proper equipment operation.

Adjustment of the P70, P72, and P170 dual pressure controls varies depending on the model. The following guidelines and diagrams illustrate the procedures for adjusting these controls. Refer to the product label inside the control cover for model number and switch action, and check the front of the control cover to determine if the control is All-Range or MICRO-SET® model. See Figure 9 for an illustration and instructions on control adjustments.

All-Range Controls (Low Side Only)

The low side of All-Range controls displays the CUT IN and CUT OUT setpoints. Turn the range screw to adjust the cut in and cutout setpoints up or down simultaneously which maintains the set differential value. Turn the differential screw to adjust the cutout setpoint and change the differential value.

MICRO-SET® Controls (Low Side Only)

The low side of MICRO-SET® controls feature a scale plate that displays the CUT IN setpoint and DIFFERENTIAL setting. Turn the range screw to adjust the cut in setpoint. Turn the differential screw to adjust DIFFERENTIAL setting. (This changes the cutout pressure.)

Dual Pressure Controls (High Side)

The high side scaleplate of the P70, P72, and P170 dual pressure controls displays only the CUT OUT setpoint. Turn the range screw to adjust the cutout setpoint. The differential is fixed at about 65 psi.

For controls with Manual Reset Lockout option, see [Manual Reset Operation](#). For P70S and P170S controls, see [Convertible High Pressure Reset Mechanism on P70S and P170S Controls](#).

To adjust the dual pressure controls:

1. Set the low side cut in setpoint by adjusting the low side range screw.

All-Range Controls: Turn the screw clockwise to raise the cut in setpoint.

MICRO-SET Controls: Turn the screw clockwise to lower the cut in setpoint.
2. Adjust the differential screw.

All-Range Controls: Turn the screw clockwise to raise the cut out setpoint.

MICRO-SET® Controls: Turn the screw clockwise to increase the differential value.
3. Set the high side cutout setpoint by adjusting the high side range screw. Turn the screw clockwise to raise the cutout setpoint. (The high side differential is fixed.)

4. Set the reset operation (on P70S and P170S models only) for high side automatic reset or manual reset lockout. See [Convertible High Pressure Reset Mechanism on P70S and P170S Controls](#) and Figure 9.

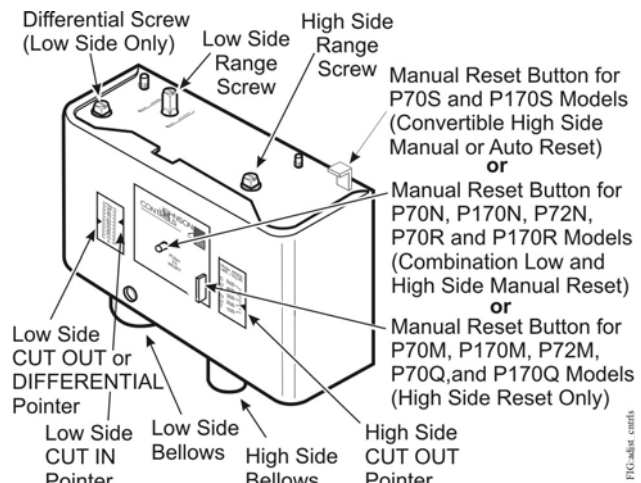


Figure 9: Adjusting the Dual Pressure Controls

IMPORTANT: Do not adjust pointers beyond the highest or lowest indicator marks on the control's pressure scale. Adjusting pointers beyond indicator marks may damage screw threads, may cause inaccurate control operation, and will void the warranty.

Manual Reset Operation

Pressure controls, with the Manual Reset option, lock out when they reach the cutout pressure setpoint and must be manually reset by the user to restart the controlled equipment. The manual reset mechanism is trip-free and cannot be overridden by blocking or tying the reset button down.

On locked-out equipment, first determine and remedy the cause of the lockout before proceeding.

- When lockout is caused by the control's low side cutout, allow the sensed pressure to rise to the cut in setpoint.
- When lockout is caused by the control's high side cutout, allow the sensed pressure to drop at least 70 psig below the cutout setpoint.

After the sensed pressure has reached the desired pressure, press and release the Reset button to restore operation of the controlled equipment.

Convertible High Pressure Reset Mechanism on P70S and P170S Controls

The P70S and P170S controls have a convertible high side pressure reset. The control may be set to reset automatically after cutout (when the pressure drops to cutout minus differential), or to be manually reset after cutout (by pressing down the reset lever). To change the reset operation:

1. Disconnect all power sources to the pressure control and remove the control cover.
2. **For Manual Reset Operation:** Loosen the lock nut, and unscrew the stop screw, being careful to not remove the screw completely from the bracket. See Figure 10.
- For Automatic Reset Operation:** Loosen the lock nut, push the reset lever down, and screw in the stop screw fully. See Figure 10.
3. Tighten the lock nut to hold the stop screw in place, and replace the control cover.
4. Restore all power sources and cycle the equipment to check control operation.

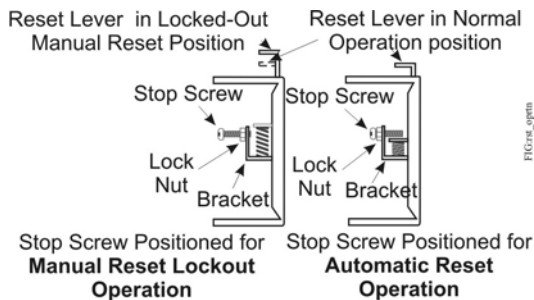


Figure 10: Setting the Convertible High Pressure Reset Mechanism (P70S or P170S Controls)

Low Pressure Limited Knob Adjustment

Some dual pressure controls are supplied with a Limited Knob Adjustment kit for the low pressure side (only) of the control. This restricts the adjustment of the low-side range and differential screws, and deters overadjustment or tampering with the control. A stop on the knob limits adjustment to less than one turn.

To install the Limited Knob Adjustment kit, see the following guidelines and steps.

1. To lock the differential adjustment screw and allow limited adjustment of the range screw, install the knob on the range screw.
To lock the range screw and allow limited adjustment of the differential screw, install the knob on the differential screw.
2. Adjust control pointers to desired high event and low event setpoints (on All-Range controls), or differential setting (on MICRO-SET® controls).
3. Place the spacer on the desired adjustment screw. All-Range controls (with Limited Knob Adjustment kits) have round and knurled adjustment screws. The spacer must be placed on the range screw. MICRO-SET® controls have square adjustment screws. Always place the spacer on the same adjustment screw as the knob.
4. Align the large end of the indicator plate over the adjustment screw with spacer.
5. Align the small end of the indicator plate over the adjustment screw to be locked.
6. Align the knob over the large end of the indicator plate.
7. Attach the knob to the adjustment screw, and tighten the set screw.

Note: The Limited Knob Adjustment kit for the All-Range controls cannot be used with the MICRO-SET® controls (and vice-versa).

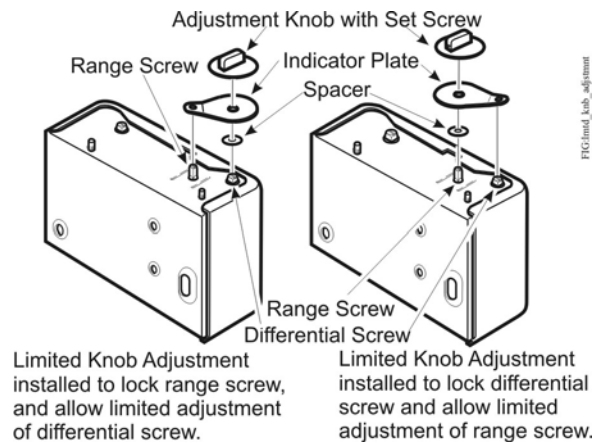


Figure 11: Limited Knob Adjustment Installation

Technical Specifications

Table 4: SPST Electrical Ratings (P70L, M, N, and P170L, M, N Types)

	Standard Single-Phase Ratings					Hermetic Compressor 1Ø Ratings
	120 VAC	208 VAC	240 VAC	480 VAC ¹	600 VAC ¹	208/240 VAC
Motor Horsepower	1.5	3	3	--	--	--
Motor Full Load Amperes	20	18.7	17	5	4.8	20
Motor Locked Rotor Amperes	120	112.2	102	30	28.8	120
Non-Inductive Amperes	22	22	22	--	--	--
Pilot Duty	125 VA at 120 to 600 VAC; 57.5 VA at 120 to 300 VDC					

1. Not for compressor motor loads.

Table 5: 4-Wire 2-Circuit Electrical Ratings (P70P, Q, and R Types)

	Standard Single-Phase Ratings									
	Line-M2 (Main Contacts)						Line-M1 (Auxiliary Contacts)			
	120 VAC	208 VAC	240 VAC	277 VAC	480 VAC ¹	600 VAC ¹	120 VAC	208 VAC	240 VAC	277 VAC
Motor Full Load Amperes	16.0	9.2	8.0	--	5	4.8	6.0	3.3	3.0	--
Motor Locked Rotor Amperes	96.0	55.2	48.0	--	30	28.8	36.0	19.8	18.0	--
Non-Inductive Amperes	16.0	9.2	8.0	7.2	--	--	6.0	6.0	6.0	6.0
Pilot Duty (for both sets of contacts)	125 VA at 24 to 600 VAC; 57.5 VA at 120 to 300 VDC									

1. Not for compressor motor loads.

Table 6: SPDT Electrical Ratings (P70S and P170S Types, per switch)

	Standard Single-Phase Ratings			
	120 VAC	208 VAC	240 VAC	277 VAC
Motor Full Load Ampere	16.0	9.2	8.0	7.0
Motor Locked Rotor Ampere	96.0	55.2	48.0	42.0
Non-Inductive Ampere	16.0	9.2	8.0	7.0
Pilot Duty	125 VA at 24 VAC, 720 VA at 120 to 277 VAC			

Table 7: DPST Electrical Ratings (P72L, M, and N Types) (Part 1 of 2)

	Standard Ratings							Hermetic Compressor Ratings	
	120 VAC 1Ø	208 VAC 1Ø	240 VAC 1Ø	208 VAC 3Ø	220 VAC 3Ø	480 VAC 1Ø ¹	600 VAC 1Ø ¹	208 VAC 1Ø	240 VAC 1Ø
Motor Horsepower	2	3	3	5	5	--	--	--	--

Table 7: DPST Electrical Ratings (P72L, M, and N Types) (Part 2 of 2)

	Standard Ratings							Hermetic Compressor Ratings	
	120 VAC 1Ø	208 VAC 1Ø	240 VAC 1Ø	208 VAC 3Ø	220 VAC 3Ø	480 VAC 1Ø ¹	600 VAC 1Ø ¹	208 VAC 1Ø	240 VAC 1Ø
Motor Full Load Amperes	24	18.7	17	15.9	15	5	4.8	24	24
Motor Locked Rotor Amperes	144	112.2	102	95.4	90	30	28.8	144	144
AC Non-Inductive Amperes	24	24	24	24	24	--	--	--	--
DC Non-Inductive Amperes	3	0.5	0.5	0.5	0.5	--	--	--	--
Pilot Duty	125 VA at 120 to 600 VAC; 57.5 VA at 120 to 300 VDC								

1. Not for compressor motor loads

P70, P72, and P170 Controls for Dual Pressure Applications

Switch Action	P70, P170: SPST or 4-Wire, 2-Circuit P70S, P170S: Two independent SPDT PENN® switches P72: DPST
Pressure Connection	P70, P72 Standard Models: various connections available (Styles 5, 13, 15, 34, 37) P170 Standard Models 1/4 in. male flare hose connection (Style 5) P70LA-2, P70MA-2 Ammonia-Compatible Models 1/4 in. female NPT connection (Style 15)
Maximum Overpressure (non-recurring)	Low Side All-Range: 325 psig (2,241 kPa) Low Side MICRO-SET®: 525 psig (3,620 kPa) High Side (All-Range and MICRO-SET®): 525 psig (3,620 kPa)
Maximum Working Pressure	Low Side All-Range: 100 psig (690 kPa) Low Side MICRO-SET®: 80 psig (552 kPa) High Side (All-Range and MICRO-SET®): 500 psig (3,447 kPa)
Ambient Conditions	-40 to 140°F (-40 to 60°C)
Case and Cover	NEMA 1 Enclosures: Galvanized steel case, plated and painted steel cover NEMA 3R Enclosures: Plated and painted steel case and cover
Dimensions (H x W x D)	NEMA 1 Enclosure: 3-1/4 x 5-11/16 x 2-1/16 in. (83 x 144 x 53 mm) NEMA 3R Enclosure: 4-13/16 x 5-13/16 x 3-3/8 in. (122 x 148 x 86 mm)
Approximate Shipping Weight	NEMA 1 Enclosures Individual: 3.5 lb (1.6 kg) Bulk pack (25 controls): 75.5 lb (34.2 kg) NEMA3R Enclosures Individual: 4.7 lb (2.1 kg) Bulk pack (25 controls): 116.5 lb (52.9 kg)
Agency Listings	For information on specific models, contact Refrigeration Application Engineering at 1-800-275-5676.
Accessories	271-51 Universal Mounting Bracket (supplied with standard controls)

The performance specifications are nominal and conform to acceptable industry standards. For application at conditions beyond these specifications, contact Refrigeration Application Engineering at 1-800-275-5676. Johnson Controls, Inc. shall not be liable for damages resulting from misapplication or misuse of its products.



Building Efficiency

507 E. Michigan Street, Milwaukee, WI 53202

© Johnson Controls and PENN are registered trademarks of Johnson Controls, Inc. in the United States of America and/or other countries. All other trademarks used herein are the property of their respective owners. © Copyright 2012 by Johnson Controls, Inc. All rights reserved.



Controles para Aplicaciones de Presión Doble

Serie P70, P72, y P170

Instrucciones de Instalación

Part No. 24-8607-0, Rev. G
Publicado 18 de Marzo de 2013
Reemplaza 12 de Diciembre de 2012

Consulte el sitio web de [QuickLIT](#) para obtener la versión más reciente de este documento.

Aplicación

Los controles P70, P72, y P170 para aplicaciones de presión doble proporcionan un control combinado de presión alta y baja en compresores para aplicaciones de refrigeración comercial y aire acondicionado.

IMPORTANTE: Con excepción del lado de alta presión de los modelos listados como *Controles de Límite para Presión de Refrigeración*, los controles de la Serie P70, P72, y P170 para Aplicaciones de Presión Doble están diseñados para controlar equipo bajo condiciones de operación normales. En el caso de una falla o mal funcionamiento de un control de presión P70, P72, o P170 que pueda llevar a una condición de operación anormal que resulte en lesión personal o daño al equipo u otra propiedad, se deben incorporar y mantener, como parte del sistema de control, otros dispositivos (controles limitadores o de seguridad) o sistemas (de alarma o monitoreo) con el fin de alertar o proteger contra fallas o mal funcionamiento del control de Presión P70, P72 o P170.

- Los modelos P70S y P170S tienen dos interruptores de Un Polo - Dos Tiros (SPDT) de alta y baja presión que operan independientemente, y pueden conectarse para satisfacer una variedad de requerimientos de control. Estos controles adaptables tienen un mecanismo de bloqueo de restablecimiento manual de alta presión que es convertible a restablecimiento automático. Véase Tabla 1.
- Los modelos P70L, M, N, y P170L, M, N tienen un interruptor de Un Polo - Un Tiro (SPST). Los modelos están disponibles con opciones de bloqueo de restablecimiento automático o manual. Los modelos con restablecimiento manual están disponibles con restablecimiento manual del lado alto o restablecimiento manual de los lados bajo y alto. (Vea las Tabla 1 y Tabla 3.) Hay modelos disponibles que son compatibles con amoníaco (sólo P70L y P70M). Véase Tabla 2.

- Los modelos P72 tienen un interruptor de Dos Polos - Un Tiro (DPST) con contactos para llevar la carga que pueden proporcionar control directo de motores monofásicos de 208-240 VCA hasta 3 HP, motores monofásicos de 480 y 600 VCA no de compresores, y motores trifásicos de 208-220 VCA hasta 5 HP. Véase Tabla 3.

Estos controles de presión doble están disponibles en varios rangos de presión y son compatibles con los refrigerantes más comunes. También, hay disponibilidad de modelos compatibles con amoníaco (sólo P70L y P70M). Ver Tabla 2.

La opción MICRO-SET® proporciona un ajuste exacto del diferencial para control de presión de precisión en aplicaciones de baja presión.

Algunos modelos tienen Ajuste de Perilla Limitado, que restringe el ajuste de la presión y evita un restablecimiento excesivo o el manejo inexperto. Véase *Ajuste de Perilla Limitado de Baja Presión*.

La opción de Bloqueo de Restablecimiento Manual no permite que el control de presión se reestablezca automáticamente después de llegar a al punto de DESCONEXION, y proporciona la capacidad de apagado para equipo sin monitoreo. Véase *Operación de Restablecimiento Manual*.

Las cajas NEMA 1 son estándar en la mayoría de los modelos. También hay disponibilidad de cajas NEMA 3R.

La Tabla 1, Tabla 2, y Tabla 3 listan los modelos estándar y las características de los controles P70, P72, y P170 para aplicaciones de presión doble. Estos modelos estándar están disponibles a través de la mayoría de los distribuidores autorizados de Johnson Controls/PENN®.

Tabla 1: Modelos Estándares de Controles de Presión Doble P70, P72, y P170 MICRO-SET® para Refrigerantes No-Corrosivos

Número de Código del Modelo	Acción del Interruptor	Lado de Presión Baja psig (kPa)		Lado de Presión Alta psig (kPa)		Conector de Presión	Ajuste de Perilla Limitado
		Rango	Diferencial	Rango	Diferencial (No Ajustable)		
P70LB-6 ¹	SPST	12 pulg. Hg a 80 psig (-41 a 552)	Min 5 (34) Max 35 (241)	100 a 500 (690 a 3,447)	Fijo a Aprox. 65 (448)	Capilar de 36 pulg. con Tuerca Abocinada de 1/4 pulg.	DESCONEXIÓN Baja
P70MA-18 ¹					Bloqueo Requiere Restablecimiento Manual		Ninguno
P70SA-1 ¹					Dos SPDT Independentes		Fijo a 65 (448) o Bloqueo Requiere Restablecimiento Manual
P170LB-6 ¹	SPST				Fijo a Aprox. 65 (448)	Conector Abocinado Macho de 1/4 pulg.	DESCONEXIÓN Baja
P170MA-18 ¹					Bloqueo Requiere Restablecimiento Manual		Ninguno
P170SA-1 ¹					Dos SPDT Independentes		Fijo a 65 (448) o Bloqueo Requiere Restablecimiento Manual

1. Modelos de Control con lado de presión alta (solamente) que son listados por UL como Controles de Limite de Presión de Refrigeración.

Tabla 2: Modelos Estándares de Controles de Presión Doble P70, P72, y P170 Controles Todo Rango Compatibles Con Amoniaco

Número de Código del Modelo	Acción del Interruptor	Lado de Presión Baja psig (kPa)		Lado de Presión Alta psig (kPa)		Conector de Presión	Ajuste de Perilla Limitado
		Rango	Diferencial	Rango	Diferencial (No Ajustable)		
P70LA-2 ¹	SPST	20 pulg. Hg a 100 psig (-68 to 690)	Min 7 (48) Max 50 (345)	100 a 500 (690 a 3,447)	Fijo a Aprox. 65 (448)	Conector NPT Hembra de 1/4 pulg.	Ninguno
P70MA-2 ¹					Bloqueo Requiere Restablecimiento Manual		

1. Modelos de Control con lado de presión alta (solamente) que son listados por UL como Controles de Limite de Presión de Refrigeración.

Tabla 3: Modelos Estándares de Controles de Presión Doble P70, P72, y P170 Controles Todo Rango para Refrigerantes No-Corrosivos

Número de Código del Modelo	Acción del Interruptor	Lado de Presión Baja psig (kPa)		Lado de Presión Alta psig (kPa)		Conector de Presión	Ajuste de Perilla Limitado
		Rango	Diferencial	Rango	Diferencial (No Ajustable)		
P70LB-1 ¹	SPST	20 pulg. Hg a 100 psig (-68 a 690)	Min 6 (41) Max 50 (345)	100 a 500 (690 a 3,447)	Fijo a Aprox. 65 (448)	Capilar de 36 pulg. con Tuerca Abocinada de 1/4 pulg.	DESCONEXIÓN Baja
P70MA-1 ¹			Fijo (Restablecimiento Manual)		Bloqueo Requiere Restablecimiento Manual		Ninguno
P70NA-1							
P72LA-1 ¹	DPST		Min 7 (48) Max 50 (345)		Fijo a Aprox. 65 (448)		Ninguno
P72LB-1 ¹					Bloqueo Requiere Restablecimiento Manual		DESCONEXIÓN Baja
P72MA-1 ¹			Fijo (Restablecimiento Manual)				Ninguno
P72NA-1 ¹							
P170LB-1 ¹	SPST		Min 7 (48) Max 50 (345)		Fijo a Aprox. 65 (448)	Conector Abocinado Macho de 1/4 pulg.	DESCONEXIÓN Baja
P170MA-1 ¹			Fijo (Restablecimiento Manual)		Bloqueo Requiere Restablecimiento Manual		Ninguno
P170NA-1							

1. Modelos de Control con lado de presión alta (solamente) que son listados por UL como Controles de Limite de Presión de Refrigeración.

Instalación

Dimensiones

Vea la Figura 1 y Figura 2 para la información de dimensiones.

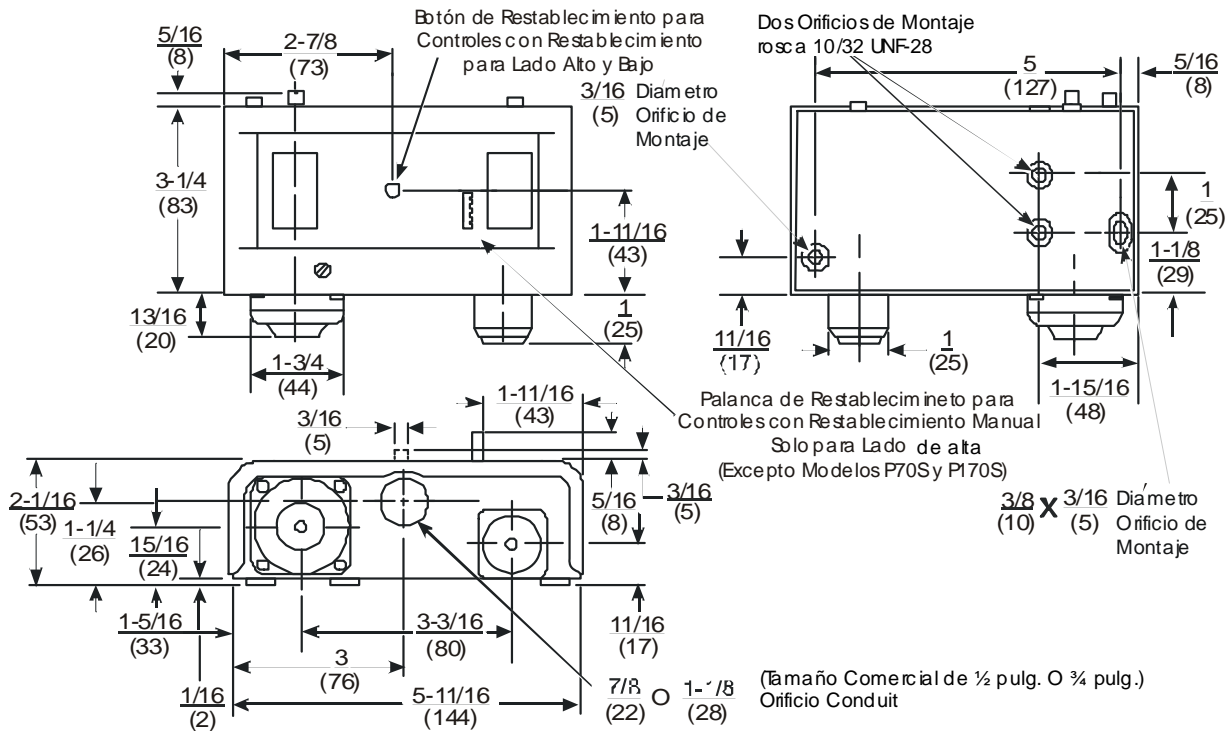


Figura 1: Dimensiones de Controles de Presión Doble P70, P72, y P170 con Cajas NEMA 1, pulg. (mm)

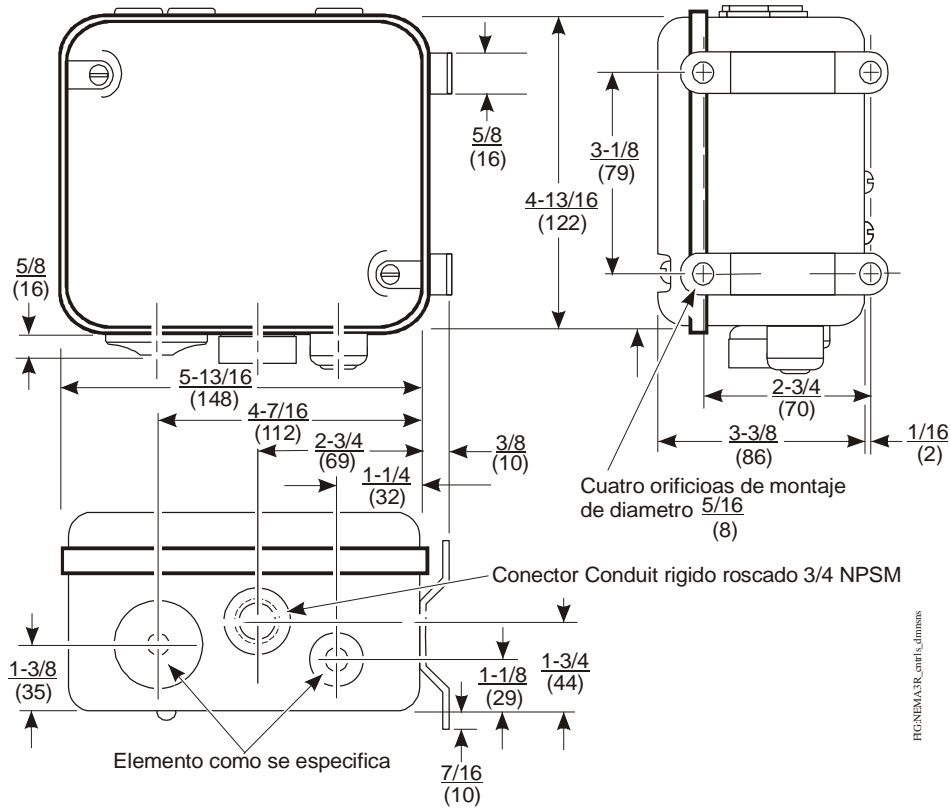


Figura 2: Dimensiones de Controles de Presión Doble P70, P72, y P170 con Cajas NEMA 3R, pulg. (mm)

Montaje



PRECAUCIÓN: Riesgo de Daño a Equipo.

El control de presión se debe instalar separadamente del gabinete eléctrico y se deben sellar todos los conductos eléctricos para evitar que el amoníaco se filtre a los componentes eléctricos. El amoníaco es muy corrosivo para los componentes de cobre y latón. En aplicaciones de amoníaco, sólo se deben usar modelos de control y conexiones de presión compatibles con amoníaco. El apagado del sistema debido a un ajuste inadecuado puede causar daños a la propiedad.



PRECAUCIÓN: Riesgo de daños a la propiedad.

Instale el control de presión P70, P72, o P170 de acuerdo con las instrucciones y directrices incluidas con el control. Estas instrucciones y directrices están destinadas a reducir el riesgo de mal funcionamiento del producto resultando en daños a la propiedad. Si no se siguen estas instrucciones y directrices podrá hacer que el control no funcionara correctamente, resultando en daños a la propiedad.

IMPORTANTE: Use sólo los tornillos de instalación proveídos con el soporte de Instalación Universal para evitar dañar los componentes internos. No tuerza la caja de control cuando instale el control en una superficie irregular. Usar otro tipo de tornillos o doblar la caja del control invalidara la garantía.

Observe las siguientes directrices al instalar este dispositivo:

- Instale el control en una posición accesible, donde el control y las líneas de conexión de presión no estén expuestas a daños.
- Instale el control de presión en posición vertical y nivelada.

- Coloque las líneas de conexión de presión para permitir el drenaje fuera del fuelle de control.
- Localice puntos de tomas de presión en la parte superior de las líneas de refrigerante para reducir la posibilidad de que aceite, líquidos, o el sedimento se deposite en el fuelle, lo que podría provocar un mal funcionamiento de control.
- Los controles con cajas NEMA 1 deben ser instalados en superficies planas, horizontales o verticales.
- Use dos tornillos o pernos a través de los dos orificios exteriores en el reverso de la caja de control cuando instale el control directamente en una superficie vertical plana.
- Use los dos orificios interiores con el soporte de Instalación Universal (y los tornillos proveídos) cuando instale el control en una superficie horizontal plana. Ver Figura 3.

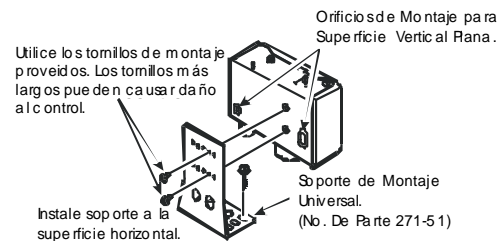


Figura 3: Montaje de Controles de Presión Doble con Cajas NEMA 1

- Instale los controles con caja NEMA 3R en una posición vertical y nivelada con el fuelle y la conexión conduit hacia abajo. Asegurese que todos los empaques estén en su lugar. Instalar los controles con caja NEMA 3R en otro posición que no sea vertical y nivelada pueden atrapar agua dentro de la caja e inundar los componentes internos.

Instalación Eléctrica



ADVERTENCIA: Riesgo de descarga Eléctrica.

Desconecte la corriente eléctrica antes de iniciar las conexiones eléctricas para evitar una posible descarga eléctrica o daño al equipo. En unidades de circuito múltiple pueden requerirse más de una desconexión para desenergizar el equipo completamente. Contacto con componentes que llevan tensión peligrosa pueden causar una descarga eléctrica y puede resultar en lesiones personales graves o la muerte.

IMPORTANTE: Ejecute todas las conexiones de la instalación eléctrica de acuerdo con todos los reglamentos locales, nacionales, y regionales. Sólo use conductores de cobre. No exceda el rango eléctrico del control.

IMPORTANTE: Use los tornillos de terminal proveídos con el interruptor. El uso de otros tornillos de terminal invalidará la garantía y puede dañar el interruptor.

Los controles P70, P72, y P170 para aplicaciones de presión doble están disponibles con varias opciones de interruptor y rangos eléctricos. Revise la etiqueta dentro de la tapa de control para el número de modelo, la acción del interruptor, y el rango eléctrico. Revise las designaciones de la terminal de instalación eléctrica en el cuadro del interruptor de control, y guíese por las siguientes pautas y diagramas de instalación eléctrica aplicables, al instalar el control. Ver Tabla 1, Tabla 2, y Tabla 3 para la acción del interruptor y modelos. Ver *Clasificaciones Eléctricas*.

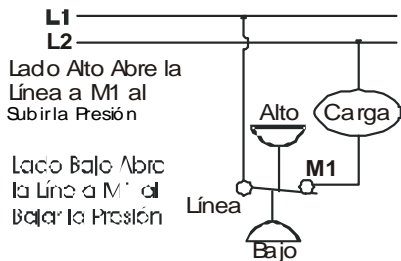


Figura 4: Alambrado típico para Interruptor SPST (Modelos P70L, M, N, y P170L, M, N)

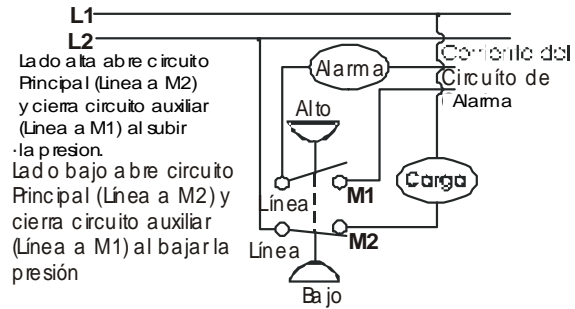


Figura 5: Alambrado típico para el Interruptor de 4 Alambres - 2 Circuitos (Modelos P70P, Q y R)

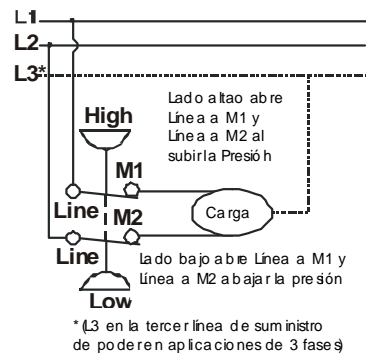


Figura 6: Alambrado típico para Interruptor DPST (Modelos P72L, M, y N)

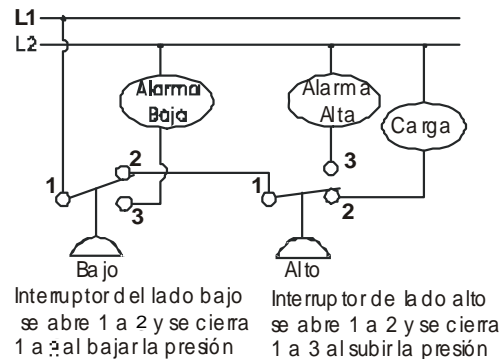


Figura 7: Dos Interruptores SPDT Alambrados como un Control de Presión Doble (Modelos P70S y P170S)

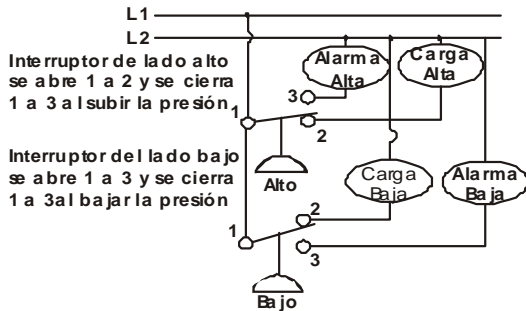


Figura 8: Dos Interruptores SPDT Alambrados como un Control de Presión Doble (Modelos P70S y P170S)

Conexiones de Presión



PRECAUCIÓN: Riesgo de daños al medio ambiente y a la propiedad.

Evite cualquier doblez agudo en los tubos capilares. Dobleces agudos pueden debilitar o plegar los tubos capilares, lo que resultaría en fugas de refrigerante u obstrucciones de flujo.



PRECAUCIÓN: Riesgo de daños al medio ambiente y a la propiedad.

Enrolle y asegure cuidadosamente el exceso de tubo capilar lejos del contact con objetos o superficies afilados o abrasivos. Vibración u objetos afilados o abrasivos en contacto con los tubos capilares pueden causar daños que pueden resultar en fugas de refrigerantes o pérdida de carga del elemento, que puede resultar en daño al medio ambiente o a la propiedad.

IMPORTANTE: Si se instalan estos controles en equipo que contiene materiales peligrosos o regulados, tales como refrigerantes o lubricantes, el instalador y usuario deben observar todas las reglamentaciones que rigen el manejo y contención de esos materiales.

IMPORTANTE: No exceda 9 ft•lb (12 N•m) de torque cuando apriete los conectores abocinados de latón. Si aprieta demasiado o aplica mas de 9 ft•lb (12 N•m) de torque puede ocasionas fallas de sellado y violara la garantía.

Los controles de presión doble P70, P72, y P170 típicamente se conectan al equipo controlado a través un capilar (con excepción de los modelos compatibles con amoníaco). Estos controles están disponibles con una variedad de estilos de conexion de presión.

Evite la Presión de Pulsación Severa en Conexiones de Presión del Lado Alto. Instale la conexión de presión de manera que los puntos de presión de conexión queden lejos del compresor para minimizar los efectos de la presión de pulsación de los compresores reciprocos.

IMPORTANTE: Después de instalar el control, vacie las lineas de control y de conexión de presión de acuerdo con los reglamentos locales, nacionales, y regionales aplicables para remover el aire, humedad, y otros contaminantes.

Ajustes



PRECAUCIÓN: Riesgo de daños a la propiedad.

Obtenga y utilice la especificación del fabricante del compresor de la presión neta de aceite de lubricación. De ser necesario, restablezca la diferencia de la presión de corte según las especificaciones del fabricante. Utilizar un ajuste de presión inadecuado puede dañar el control, compresor u otro equipo controlado.

IMPORTANTE: Use los ajustes de los controles de presión recomendados por el fabricante del equipo controlado. No exceda los rangos de presión del equipo controlado, o cualquiera de sus componentes, cuando verifique la operación de control de presión u opere el equipo controlado.

IMPORTANTE: Después de la instalación, la conexión eléctrica, y la evacuación del control, instale un juego de medidores confiables al equipo controlado, y opere el equipo (por lo menos) tres ciclos a la presión necesaria para verificar los puntos de ajuste de control y la operación correcta del equipo.

El ajuste de los controles P70, P72, y P170 de presión doble varían de acuerdo al modelo. Las pautas y diagramas siguientes ilustran los procedimientos para ajustar estos controles. Refiérase a la etiqueta del producto dentro de la tapa del control para el número del modelo y la acción del interruptor, y revise el frente de la tapa del control para determinar si el control es un modelo Todo Rango o MICRO-SET®. Vea la Figura 9 para una ilustración e instrucciones de los ajusted del control.

Controles de Todo Rango (Solo Lado bajo)

El lado bajo de los controles de Rango Universal muestra los puntos de ajuste CONEXIÓN y DESCONEXIÓN. Gire el tornillo del rango para simultáneamente subir o bajar los puntos de ajuste de conexión y desconexión que mantiene el valor del diferencial establecido. Gire el tornillo del diferencial para adecuar el punto de ajuste de desconexión y cambie el valor del diferencial.

Controles MICRO-SET® (Lado bajo unicamente)

El lado bajo de los controles MICRO-SET® tiene un placa de escala que muestra el punto de ajuste DESCONEXION y el ajuste DIFERENCIAL. Gire el tornillo del rango para adecuar el punto de ajuste desconexión. Gire el tornillo de diferencial para adecuar el ajuste del DIFERENCIAL. (Esto cambia la presión de dsconexión.)

Controles de Presión Doble (Lado Alto)

La placa de escala del lado alto en los modelos de control P70, P72, y P170 de presión doble, muestra sólo el punto de ajuste de DESCONEXION. Gire el tornillo del rango para cambiar el punto de ajuste de desconexión. El diferencial se fija a aproximadamente 65 psi.

Para controles con la opción de Bloqueo de Restablecimiento Manual, refiérase a [Operación de Restablecimiento Manual](#). Para los controles P70S y P170S, refiérase a [Mecanismo de Restablecimiento Convertible de Alta Presión en los Modelos P70S y P170S](#).

Para ajustar los controles de presión doble:

1. Cambie el punto de ajuste de interrupción del lado bajo girando el tornillo de rango del lado bajo. Para controles Todo Rango: Gire el tornillo hacia la derecha para elevar el punto de ajuste de interrupción. Para controles MICRO-SET: Gire el tornillo hacia la derecha para bajar el punto de ajuste de interrupción.
2. Ajuste el tornillo del diferencial. Para controles Todo Rango: Gire el tornillo hacia la derecha para elevar el punto de ajuste de desconexión. Para controles MICRO-SET: Gire el tornillo hacia la derecha para aumentar el valor del diferencial.
3. Cambie el punto de ajuste de desconexión del lado alto girando el tornillo de ajuste del rango del lado alto. Gire el tornillo hacia la derecha para elevar el punto de ajuste de desconexión. (El diferencial del lado alto está fijo.)

4. Ajuste la operación de restablecimiento (sólo en modelos P70S y P170S) para restablecimiento automatico del lado alto o bloqueo de restablecimiento manual. Véase [Mecanismo de Restablecimiento Convertible de Alta Presión en los Modelos P70S y P170S](#) y Figura 9.

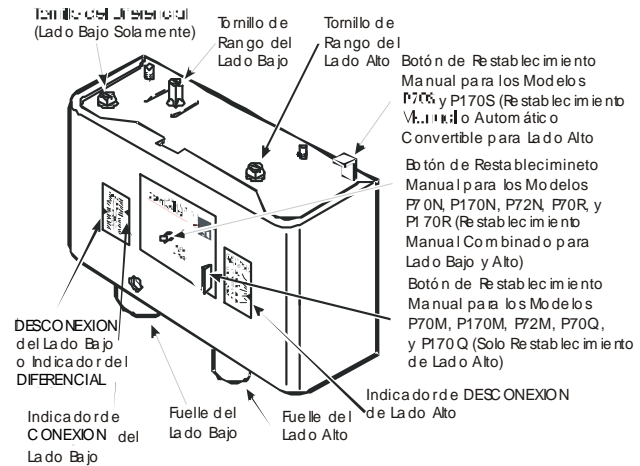


Figura 9: Ajuste de los Controles de Presión Doble

IMPORTANTE: No ajuste los indicadores más allá de las marcas mas alta y mas baja en la escala de presión del control. Ajustar los indicadores más allá de las marcas del indicador puede dañar los hilos del tornillo y resultar en una operación incorrecta del control.

Operación de Restablecimiento Manual

Los controles de presión, con la opción de Restablecimiento Manual, se bloquean cuando alcanzan el punto de presión de desconexión que se ha fijado y debe restablecerse manualmente por el usuario para reiniciar el equipo controlado. El mecanismo de restablecimiento manual es de movimiento libre y no puede restablecer al bloqueador o sujetar el botón de restablecimiento.

En equipo bloqueado, primero determine y solucione la causa del bloqueo antes de proceder.

- Cuando el bloqueo es causado por la desconexión del lado bajo del control, permita que la presión detectada suba al punto de ajuste de conexión.
- Cuando el bloqueo es causado por la desconexión del lado alto del control, permita que la presión detectada baje por lo menos a 70 psig abajo del punto de ajuste de desconexión.

Después que la presión detectada haya alcanzado la presión deseada, presione y suelte el botón de Restablecimiento para restaurar la operación del equipo controlado.

Mecanismo de Restablecimiento Convertible de Alta Presión en los Modelos P70S y P170S

Los controles P70S y P170S tienen un restablecimiento de presión convertible del lado alto. El control puede ser ajustado para restablecerse automáticamente después de una desconexión (cuando la presión desciende al punto de desconexión menos el diferencial), o para restablecerse manualmente después de una desconexión (presionando de restablecimiento). Para cambiar la operación de restablecimiento:

1. Desconecte todas las fuentes de corriente al control de presión y quite la tapa del control.
2. **Para la Operación de Restablecimiento Manual:** Afloje la tuerca de bloqueo, y afloje el tornillo de tope, cuidando de no quitar completamente el tornillo del soporte. Ver la Figura 10.

Para la Operación de Restablecimiento Automático:

Automático: Afloje la tuerca de bloqueo, empuje la palanca de restablecimiento hacia abajo, y apriete el tornillo completamente hacia adentro. Ver la Figura 10.

3. Apriete la tuerca de bloqueo para sostener el tornillo de tope en su lugar, y coloque de nuevo la tapa del control.
4. Restaure todas las fuentes de corriente e inicie el ciclo del equipo para verificar la operación del control.

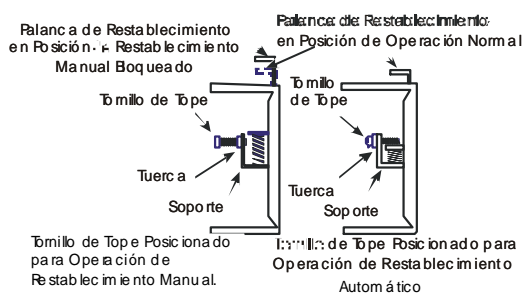


Figura 10: Ajuste del Mecanismo de Restablecimiento Convertible de Alta Presión (Controles P70S o P170S)

Ajuste de Perilla Limitado de Baja Presión

Algunos controles de presión doble vienen provistos con un juego de herramientas para el Ajuste de Perilla Limitado para el lado de presión baja (unicamente) del control. Esto restringe el ajuste de los tornillos del rango del lado bajo y diferencial, y previene contra un ajuste excesivo o el mal manejo del control. Un tope en la perilla limita el ajuste a menos de un giro.

Para instalar el juego de herramientas de Ajuste de Perilla Limitado, guíese por las siguientes pautas y pasos. Vea Figura 11.

1. Para bloquear el tornillo de ajuste del diferencial y permitir un ajuste limitado del tornillo de rango, instale la perilla en el tornillo del rango.

Para bloquear el tornillo de rango y permitir un ajuste limitado del tornillo de diferencial, instale la perilla en el tornillo del diferencial.

2. Acomode los indicadores de control a los puntos de ajuste deseados de alto y bajo (en los controles Todo Rango), o ajuste del diferencial (en los controles MICRO-SET®).
3. Coloque el espaciador en el tornillo de ajuste deseado. Los controles Todo Rango (con juegos de herramienta de Ajuste de Perilla Limitado) tienen tornillos de ajuste redondos y surcados. El espaciador debe colocarse en el tornillo de rango. Los controles MICRO-SET® tienen tornillos de ajuste cuadrados. Siempre coloque el espaciador en el mismo tornillo de ajuste que la perilla.
4. Alinee el extremo grande de la placa indicadora sobre el tornillo de ajuste con el espaciador.
5. Alinee el extremo pequeño de la placa indicadora sobre el tornillo de ajuste a ser bloqueado.
6. Alinee la perilla sobre el extremo grande de la placa indicadora.
7. Una la perilla al tornillo de ajuste, y apriete el tornillo.

8. El juego de herramientas de Ajuste de Perilla Limitado para los controles de Todo Rango no puede usarse con el control MICRO-SET® (y viceversa).

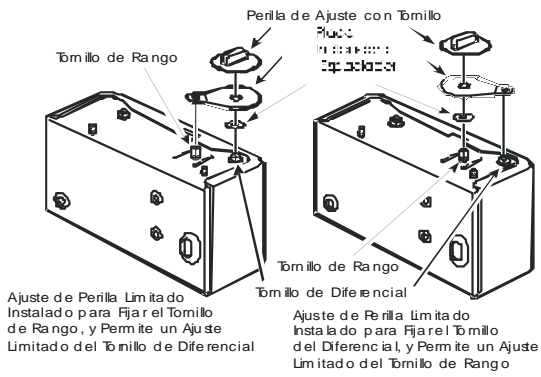


Figura 11: Instalación de la Perilla de Ajuste Limitado

Clasificaciones Eléctricas

Tabla 4: Clasificaciones Electricas SPST (Tipos P70L, M, N, y P170L, M, N)

	Clasificaciones de Motores Monofásicos Estadares					Rangos para Compressor Hermetico 1Ø
	120 VCA	208 VCA	240 VCA	480 VCA ¹	600 VCA ¹	208/240 VCA
Caballos de Fuerza del Motor	1.5	3	3	--	--	--
Amperios del Motor con Carga Completa	20	18.7	17	5	4.8	20
Amperios del Motor con el Rotor Bloqueado	120	112.2	102	30	28.8	120
Amperios No Inductivos	22	22	22	--	--	--
Servicio Piloto	125 VA de 120 a 600 VCA; 57.5 VA de 120 a 300 VCD					

1. No es para cargas de motores de compresores.

Tabla 5: Clasificaciones Electricas de 4 Alambres - 2 Circuitos (Tipos P70P, Q, y R)

	Clasificaciones de Motores Monofásicos Estadares									
	Línea-M2 (Contactos Principales)						Línea-M1 (Contactos aux.)			
	120 VCA	208 VCA	240 VCA	277 VCA	480 VCA ¹	600 VCA ¹	120 VCA	208 VCA	240 VCA	277 VCA
Amperios del Motor con Carga Completa	16.0	9.2	8.0	--	5	4.8	6.0	6.0	3.0	--
Amperios del Motor con el Rotor Bloqueado	96.0	55.2	48.0	--	30	28.8	36.0	19.8	18.0	--
Amperios No Inductivos	16.0	9.2	8.0	7.2	--	--	6.0	6.0	6.0	6.0
Servicio del Piloto (para ambos juegos de contactos)	125 VA de 24 a 600 VCA; 57.5 VA de 120 a 300 VCD									

1. No es para cargas de motores de compresores.

Tabla 6: Clasificaciones Electricas SPDT (Tipos P70S y P170S, por interruptor)

	Clasificaciones de Motores Monofásicas Estadares			
	120 VCA	208 VCA	240 VCA	277 VCA
Amperios del Motor con Carga Completa	16.0	9.2	8.0	7.0
Amperios del Motor con el Rotor Bloqueado	96.0	55.2	48.0	42.0
Amperios No Inductivos	16.0	9.2	8.0	7.0
Servicio Piloto	125 VA de 24 VCA, 720 VA de 120 a 277 VCA			

Tabla 7: Clasificaciones Electricas DPST (Tipos P72L, M, y N)

	Clasificaciones Estandares							Rangos para Compresor Hermético	
	120 VCA 1Ø	208 VCA 1Ø	240 VCA 1Ø	208 VCA 3Ø	220 VCA 3Ø	480 VCA 1Ø ¹	600 VCA 1Ø ¹	208 VCA 1Ø	240 VCA 1Ø
Caballos de Fuerza del Motor	2	3	3	5	5	--	--	--	--
Amperios del Motor con Carga Completa	24	18.7	17	15.9	15	5	4.8	24	24
Amperios del Motor con el Rotor Bloqueado	144	112.2	102	95.4	90	30	28.8	144	144
Amperios No Inductivos CA	24	24	24	24	24	--	--	--	--
Amperios No Inductivos CD	3	0.5	0.5	0.5	0.5	--	--	--	--
Servicio Piloto	125 VA de 120 a 600 VCA; 57.5 VA de 120 a 300 VCD								

1. No es para cargas de motores de compresores.

Especificaciones Técnicas

Controles P70, P72, y P170 para Aplicaciones de Presión Doble

Acción del Interruptor	P70, P170: SPST o Interruptor de 2 Circuitos 4 Alambres	P70S, P170S: Dos interruptores independientes SPDT PENN®	P72: DPST
Conexión de Presión	Modelos Estándares P70, P72 disponibles en varias conexiones (Estilos 5, 13, 15, 34, 37)	Modelo Estándar P170, conexión abocinada macho de 1/4 pulg. (Estilo 5)	Modelos P70LA-2, P70MA-2 Compatible con Amoniaco 1/4 in. NPT conexión hembra (Estilo 15)
Máxima Sobrepresión (no-recurrente)	Lado Bajo Todo Rango: 325 psig (2,241 kPa) Lado Bajo MICRO-SET®: 525 psig (3,620 kPa) Lado Alto (Todo Rango y MICRO-SET®): 525 psig (3,620 kPa)		
Máxima Presión Trabajando	Lado Bajo Todo Rango: 100 psig (690 kPa) Lado Bajo MICRO-SET®: 80 psig (552 kPa) Lado Alto (Todo Rango y MICRO-SET): 500 psig (3,447 kPa)		
Condiciones Ambientales	-40 a 140°F (-40 a 60°C)		
Caja y Tapa	Cajas NEMA 1:Caja de acero galvanizado, tapa de acero galvanizado y pintada Cajas NEMA 3R:Caja y cubierta de acero pintadas		
Dimensiones (H x W x D)	Cajas NEMA 1:3-1/4 x 5-11/16 x 2-1/16 pulg. (83 x 144 x 53 mm) Cajas NEMA 3R:4-13/16 x 5-13/16 x 3-3/8 pulg. (122 x 148 x 86 mm)		
Peso de Embarque Aproximado	Individual		Múltiple (10 controles)
	NEMA 1	3.5 lb (1.6 kg)	75.5 lb (34.2 kg)
	NEMA3R	4.7 lb (2.1 kg)	
Listados de Agencia	Para información de modelos específicos, Contacte al Departamento de Ingeniería de Aplicación de Refrigeración al 1-800-275-5676.		
Accesorios	Soporte de instalación Universal 271-51 (proveído con controles estándar)		

Las especificaciones del desempeño son nominales y de acuerdo a estándares aceptables de la industria. Para aplicación en condiciones que estén fuera de éstas especificaciones, contáctese al Departamento Ingeniería de Aplicación de Refrigeración al 1-800-275-5676. Johnson Controls, Inc. no será responsable de daños que resulten de una aplicación incorrecta o un mal uso de su productos.



Building Efficiency

507 E. Michigan Street, Milwaukee, WI 53202

PENN® y Johnson Controls® son marcas registradas de Johnson Controls, Inc.
Todas las demás marcas aquí mencionadas son marcas de sus respectivos propietarios.

© 2013 Johnson Controls, Inc.