

50Hz

- KD-1800A
- KY-1800A

# K-1800 Ice Kube Machine



- Easy access to food zone with removal of two screws and lift-off door
- High-tech exterior with smudge and fingerprint resistant stainless-like finish
- White plastics in the food zone help identify areas needing cleaning
- Water shield, distribution tube, pump, floats, and trough removable by hand
- Available CleanAir™ pack controls the growth of bacteria and fungi that form slime and cause odors in the food zone

## WARRANTY:

Ice Maker: 3 year Parts & Labor  
Evaporator: 5 year Parts & Labor  
Compressor: 5 year Parts & 3 year Labor



### HALF KUBE

$\frac{3}{8}'' \times 1\frac{1}{8}'' \times \frac{7}{8}''$   
(.95 x 2.86 x 2.22 cm)

= 100%



### KUBE

$\frac{7}{8}'' \times \frac{7}{8}'' \times \frac{7}{8}''$   
(2.22 x 2.22 x 2.22 cm)

= 100%



**K-1800**  
ICE KUBE MACHINE

Koolaire K-1800A Ice Kube Machine on a K970 Bin

**KOOLAIRE**  
by **Manitowoc**

[ [www.kool-aire.com](http://www.kool-aire.com) ]

Manitowoc Deutschland GmbH  
Auf der Weih 11  
35745 Herborn  
Germany  
Tel: 0 27 72 - 5805 0  
Fax: 0 27 72 - 5805 70  
E-mail: [info@manitowoc-de.com](mailto:info@manitowoc-de.com)  
[www.manitowoc-de.com](http://www.manitowoc-de.com)

Manitowoc Foodservice Iberia, S.A.U.  
C/Textil, 6 Pol. Ind. La Ferreria-08110  
Montcada i Reixac Barcelona  
Spain  
Tel: (+34) 902 20 10 69  
Fax: (+34) 93 348 15 09  
E-mail: [fraubcn@frau.es](mailto:fraubcn@frau.es)  
[www.manitowocfs.es](http://www.manitowocfs.es)

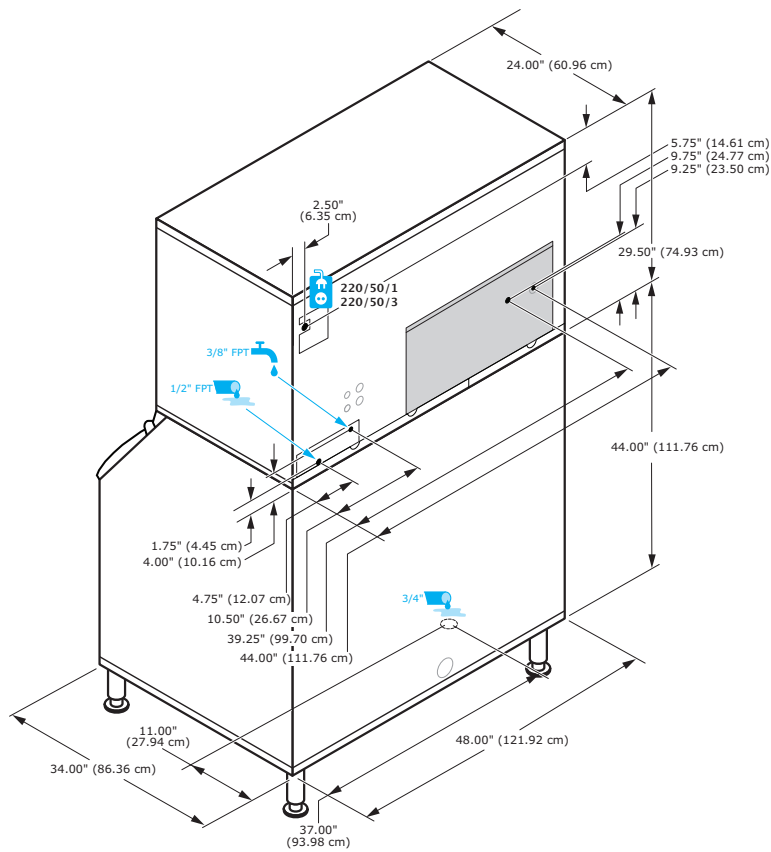
Manitowoc EMEA  
[www.manitowocice.com/emea](http://www.manitowocice.com/emea)  
Manitowoc China  
[www.manitowoc.com.cn](http://www.manitowoc.com.cn)  
Manitowoc Latin America  
[www.manitowoclatam.com](http://www.manitowoclatam.com)



**Manitowoc**  
Foodservice

# K-1800 ICE KUBE MACHINE

			24h		[kWh/ 100 lbs ice]	[l/h]	[gal/h]
			70°/50°F 21°/10°C	90°/70°F 32°/21°C			
KD-1800A			1693 lbs 768 kg	1325 lbs 601 kg	11.2	41.8	11
KY-1800A			1693 lbs 768 kg	1325 lbs 601 kg			
KD-1800N			1710 lbs 776 kg	1368 lbs 621 kg	11.0	43.2	11.4
KY-1800N			1710 lbs 776 kg	1368 lbs 621 kg			



Minimum		Maximum
1.7°C 35°F		43.3°C 110°F
1.7°C 35°F		32.2°C 90°F
20psi 138 kPa		80psi 551 kPa
15.3		A
		25 Amps
144 kg 318 lbs		

This product is hermetically sealed and contains fluorinated greenhouse gas R404a

### Popular Accessories

Artic Pure Water Filters AR-Pre & AR 40000	Clean Air Pack K-00206
---	---------------------------

**KOOLAIRE**® [ [www.kool-aire.com](http://www.kool-aire.com) ]

by **Manitowoc**

Manitowoc Deutschland GmbH  
Auf der Weih 11  
35745 Herborn  
Germany  
Tel: 0 27 72 - 5805 0  
Fax: 0 27 72 - 5805 70  
E-mail: [info@manitowoc-de.com](mailto:info@manitowoc-de.com)  
[www.manitowoc-de.com](http://www.manitowoc-de.com)

Manitowoc Foodservice Iberia, S.A.U.  
C/Textil, 6 Pol. Ind. La Ferreria-08110  
Montcada i Reixac Barcelona  
Spain  
Tel: (+34) 902 20 10 69  
Fax: (+34) 93 348 15 09  
E-mail: [fraubcn@frau.es](mailto:fraubcn@frau.es)  
[www.manitowocfs.es](http://www.manitowocfs.es)

Manitowoc EMEA  
[www.manitowocice.com/emea](http://www.manitowocice.com/emea)  
  
Manitowoc China  
[www.manitowoc.com.cn](http://www.manitowoc.com.cn)  
  
Manitowoc Latin America  
[www.manitowoclatam.com](http://www.manitowoclatam.com)