

- KDT-0500A
- KYT-0500A
- KDT-0500W
- KYT-0500W



# KT-0500 Ice Kube Machine



- Easy access to food zone with removal of two screws and lift-off door
- High-tech exterior with smudge and fingerprint resistant stainless-like finish
- White plastics in the food zone help identify areas needing cleaning
- Water shield, distribution tube, pump, floats, and trough removable by hand
- Available CleanAir™ pack controls the growth of bacteria and fungi that form slime and cause odors in the food zone

**WARRANTY:**

Ice Maker: 3 year Parts & Labor  
 Evaporator: 5 year Parts & Labor  
 Compressor: 5 year Parts 3 years Labor



**HALF KUBE**

$\frac{3}{8}'' \times 1\frac{1}{8}'' \times \frac{7}{8}''$   
 (.95 x 2.86 x 2.22 cm)

❄️ = 100%  
 💧



**KUBE**

$\frac{7}{8}'' \times \frac{7}{8}'' \times \frac{7}{8}''$   
 (2.22 x 2.22 x 2.22 cm)

❄️ = 100%  
 💧

R410A Refrigerant



**KT-0500**  
 ICE KUBE MACHINE

*Koolaire KT-0500 Ice Kube Machine on a K570 bin*



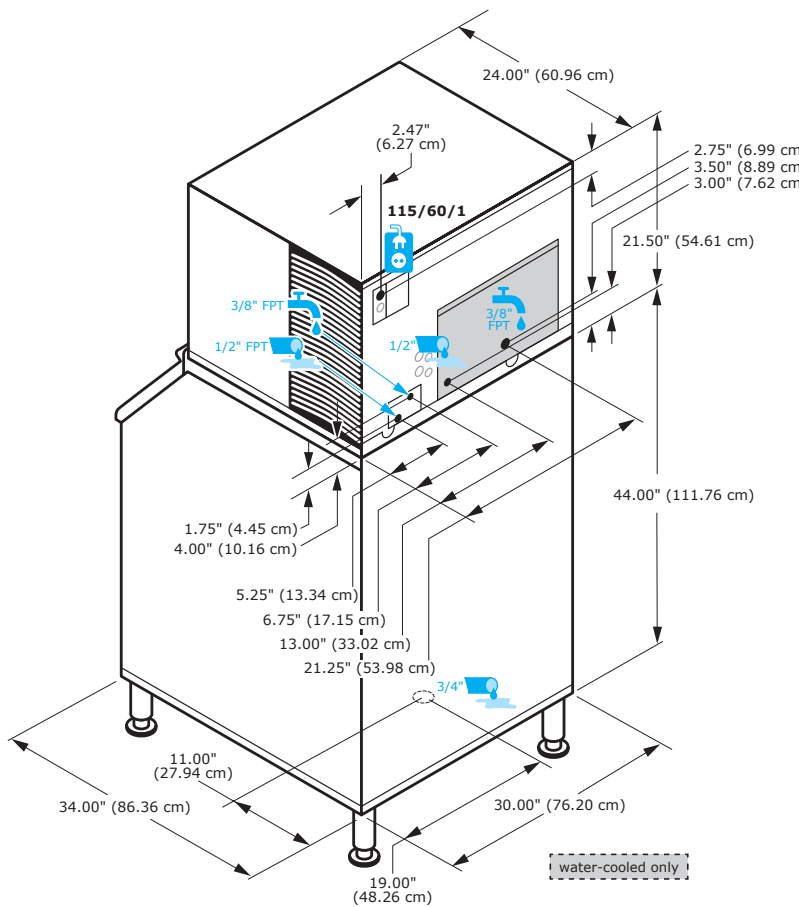
By **MANITOWOC**

2110 SOUTH 26TH ST | MANITOWOC, WI 54220 USA | 1-920-682-0161 [ [www.kool-aire.com](http://www.kool-aire.com) ]



# KT-0500 ICE KUBE MACHINE

			24h				
			70°/50°F 21°/10°C	90°/70°F 32°/21°C			
KDT-0500A			515 lbs	400 lbs	5.4	19	●
			233 kg	181 kg			
KYT-0500A			550 lbs	425 lbs	5.3	19	●
			249 kg	193 kg			
KDT-0500W			533 lbs	420 lbs	4.4	19	
			242 kg	191 kg			
KYT-0500W			560 lbs	450 lbs	4.0	19	
			254 kg	209 kg			



Minimum	Maximum
40°F 4.4°C	110°F 43.3°C
40°F 4.4°C	90°F 32.2°C
20psi 138 kPa	80psi 551 kPa
12.7 12.0	A
	20 Amps
156 lbs 69 kg	
163 lbs 74 kg	

Water cooled condenser water usage/100 lbs. or 45.5 Kg. of ice: 150 gals. / 568L.

Popular Accessories			
Artic Pure Water Filters	Dispenser Bin Thermostat Kit	Top Air Discharge Kit	Clean Air Pack
AR-Pre & AR 10000	K-00457	K-00379	K-00206

## KOOLAIRE

By MANITOWOC

2110 SOUTH 26TH ST | MANITOWOC, WI 54220 USA | 1-920-682-0161 [ [www.kool-aire.com](http://www.kool-aire.com) ]