

- KDT-1000A       KDT-1000W       KDT-1000N
- KYT-1000A       KYT-1000W       KYT-1000N



# K-1000 Ice Kube Machine



- Easy access to food zone with removal of two screws and lift-off door
- High-tech exterior with smudge and fingerprint resistant stainless-like finish
- White plastics in the food zone help identify areas needing cleaning
- Water shield, distribution tube, pump, floats, and trough removable by hand
- Available CleanAir™ pack controls the growth of bacteria and fungi that form slime and cause odors in the food zone

**WARRANTY:**  
 Ice Maker: 3 year Parts & Labor  
 Evaporator: 5 year Parts & Labor  
 Compressor: 5 year Parts & 3 year Labor



**HALF KUBE**  
 $\frac{3}{8}'' \times 1\frac{1}{8}'' \times \frac{7}{8}''$   
 (.95 x 2.86 x 2.22 cm)

= 100%



**KUBE**  
 $\frac{7}{8}'' \times \frac{7}{8}'' \times \frac{7}{8}''$   
 (2.22 x 2.22 x 2.22 cm)

= 100%

Refrigerant R410A



**K-1000**  
ICE KUBE MACHINE

*Koolaire K-1000 Ice Kube Machine on a K570 bin.*

*Both ice machine and bin are AHRI certified.*



By MANITOWOC

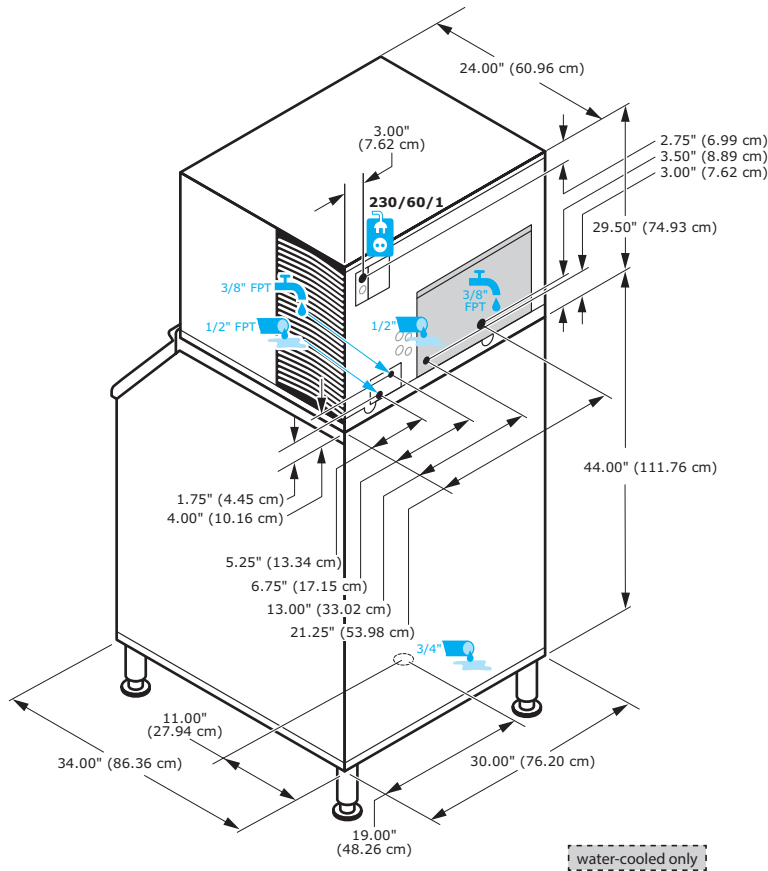
2110 SOUTH 26TH ST | MANITOWOC, WI 54220 USA | 1-920-682-0161 | [www.kool-aire.com](http://www.kool-aire.com)



# K-1000 ICE KUBE MACHINE

Model	Icon	Icon	24h		[kWh/100 lbs ice]	[gal/100 lbs ice]
			70°/50°F 21°/10°C	90°/70°F 32°/21°C		
KDT-1000A			890 lbs	680 lbs	5.35	20.0
			404 kg	308 kg		
KYT-1000A			960 lbs	775 lbs	4.9	20.0
			435 kg	362 kg		
KDT-1000W			835 lbs	720 lbs	4.35	20.0
			379 kg	327 kg		
KYT-1000W			860 lbs	730 lbs	4.25	20.0
			390 kg	331 kg		
KDT-1000N*			850 lbs	700 lbs	5.3	20.0
			386 kg	318 kg		
KYT-1000N*			930 lbs	760 lbs	5.2	20.0
			422 kg	345 kg		

\* Remote condenser JCT1200 must be ordered with "N" models



Minimum	Maximum
40°F 4.4°C	110°F 43.3°C
40°F 4.4°C	90°F 32.2°C
20psi 138 kPa	80psi 551 kPa
10.8 10.1 9.8	A
	15 Amps
215 lbs 215 lbs 237 lbs	97 kg 97 kg 108 kg

Water cooled condenser water usage/ 100lbs or 45.4kgs. of ice: 140 gals/530 L.

Popular Accessories			
Artic Pure Water Filters AR-Pre & AR 20000	Dispenser Bin Thermostat Kit K-00457	Top Air Discharge Kit K-00449	Clean Air Pack K-00206

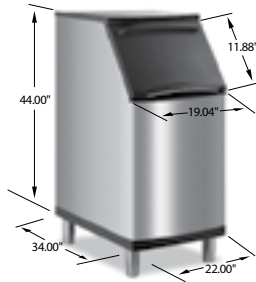
## KOOLAIRE

By MANITOWOC

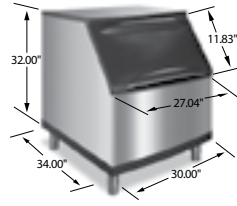
2110 SOUTH 26TH ST | MANITOWOC, WI 54220 USA | 1-920-682-0161 [ [www.kool-aire.com](http://www.kool-aire.com) ]

- K-420
- K-400
- K-570
- K-970

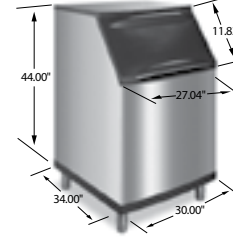
# K-Series Ice Storage Bins



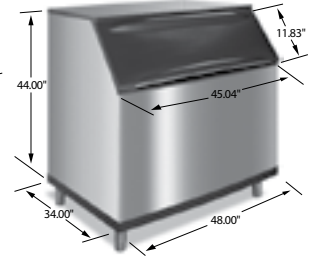
K-420



K-400



K-570



K-970

## FEATURES

- All K-bins include one set of 4 legs. Adjustable from 6" to 7.75 in (15.24 to 20.32cm)
- Stay open door keeps bin door out of the way while scooping ice.
- Internal scoop holder keeps scoop above the ice line for better sanitation.
- Foamed insulated door reduces sweat on the door and keeps ice lasting longer.
- High tech stainless like finish with superior corrosion resistance.
- Black side panels to match your Koolaire modular ice machine.



*Pictured: Koolaire Kuber KT0700 series on a K570 bin*

**K-Series**  
ICE STORAGE BINS

BIN MODEL	D-BIN CAPACITIES				
	*Application Capacity		**2017 AHRI Capacity		***2018 AHRI Cubic Volume
	lbs.	kgs	lbs.	kgs	
K-420	383	174	310	141	12.9
K-400	365	166	290	132	12.3
K-570	532	241	430	195	17.9
K-970	882	400	710	322	29.7

## BIN LEG OPTIONS

Order replacement adjustable legs 4" (10.16 cm) to 6" (15.24 cm) with kit K00441. Optional casters available 7.635" (19.37 cm) to 8.625" (21.1 cm) by ordering kit K00138. Casters cannot be used with K-420 bin.

## WARRANTY

Bin & Accessories: 3 Year Parts & Labor

WBIN MODEL	CAPACITY		KOOLAIRE KUBER ICE MACHINE MODEL NUMBER (ADAPTER LISTED, IF REQUIRED)						
	lbs.	kg	300	420	400	500	700	1000	1700
K-420	383	174		•					
K-400	365	166	•	K00472	•				
K-570	532	241	•	K00472	•	•	•	•	
K-970	882	400	K00470	K00473	K00470	K00470	K00470	K00470	•

Above dimensions include bin leg height of 6".

All bins include 82 oz white scoop part # 00011765

\*Application Capacity is based on 90% of the volume x 33 lbs/ft3 average density of ice. Ice must be managed.

\*\*2017 Approved AHRI capacity is based on 80% of the total volume x 30 lbs/ft3 average density of ice.

\*\*\*2018 Approved AHRI measurement for bin capacity



2110 SOUTH 26TH ST | MANITOWOC, WI 54220 USA | 1-920-682-0161 [ [www.kool-aire.com](http://www.kool-aire.com) ]