

Job Name/Location:

Tag #:

Date:

For: File Resubmit

PO No.:

Approval Other _____

Architect:

GC:

Engr:

Mech:

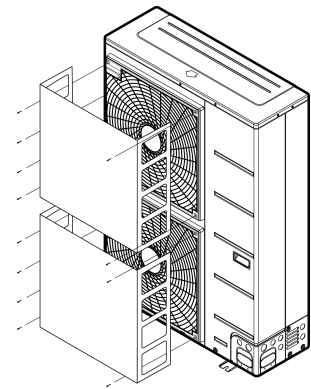
Rep:

(Company)

(Project Manager)

ZLABGP04A

Low Ambient Wind Baffle Kit



Unit Data:

| | |
|-----------------------|---------------------------|
| Net Unit Weight (lbs) | 5 |
| Shipping Weight (lbs) | 8 |
| Dimensions (in) | 23-5/8 x 23-5/8 x 7-15/16 |

Fitting Properties:

| | |
|----------|------------------|
| Color | Soft Dove Grey |
| Material | 20 GA Paint Grip |

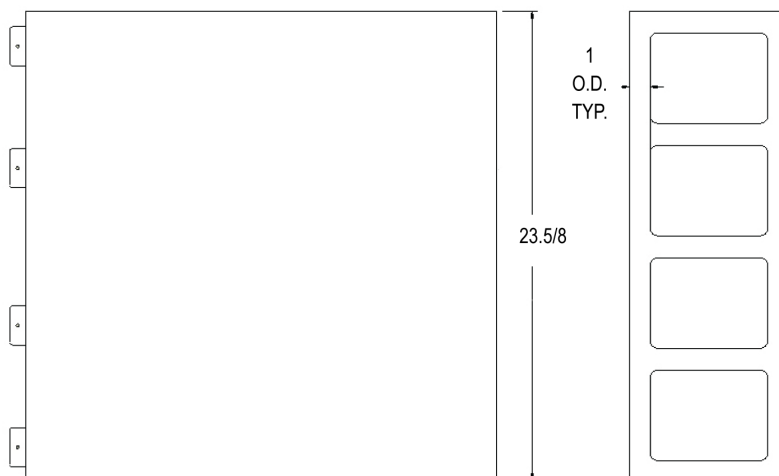
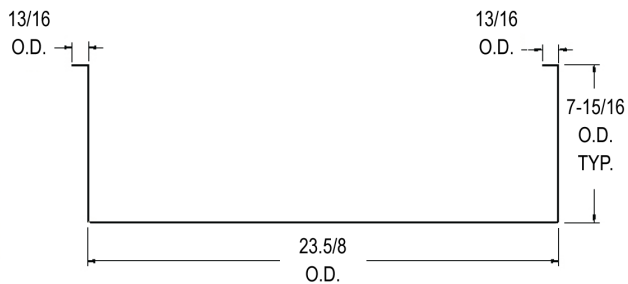
Compatible Outdoor Units:

| | | |
|-----------|------------|--------------|
| LUU188HV | LMU36CHV | LMU480HV* |
| LUU189HV | LMU360HHV* | LMU540HV* |
| LUU247HV | LMU420HHV* | LMU600HV* |
| LUU248HV | LUU367HV* | ARUN024GSS4 |
| LMU180HHV | LUU368HV* | ARUN038GSS4* |
| LMU240HHV | LUU427HV* | ARUN048GSS4* |
| LMU300HHV | LUU428HV* | ARUN060GSS4* |
| LMU30CHV | LUU488HV* | ARUB060GSS4* |

*Requires x2 ZLABGP04A

Standard Features:

- Allows operation down to 0°F in cooling mode
- Compatible outdoor units are equipped with necessary fan speed control
- 4 zinc plated pan head phillips screws #8 x 1/2"



Unit = inch

Note: All dimensions are rounded up to the nearest fraction.

