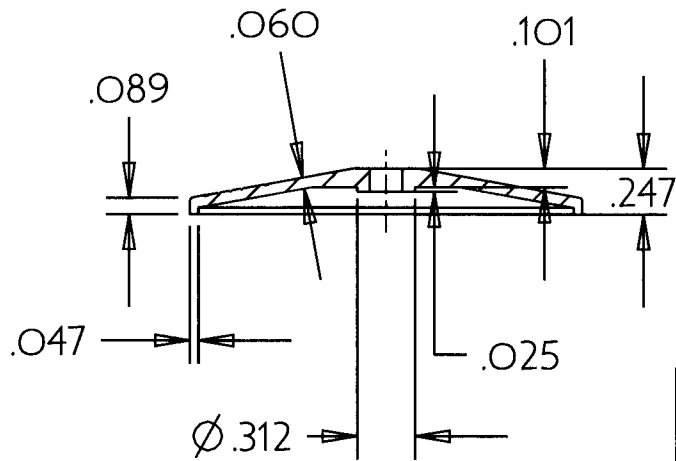
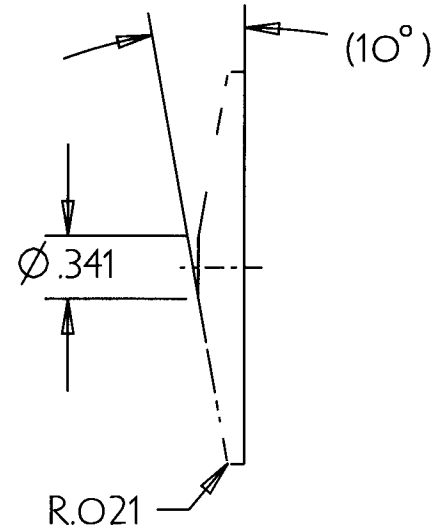
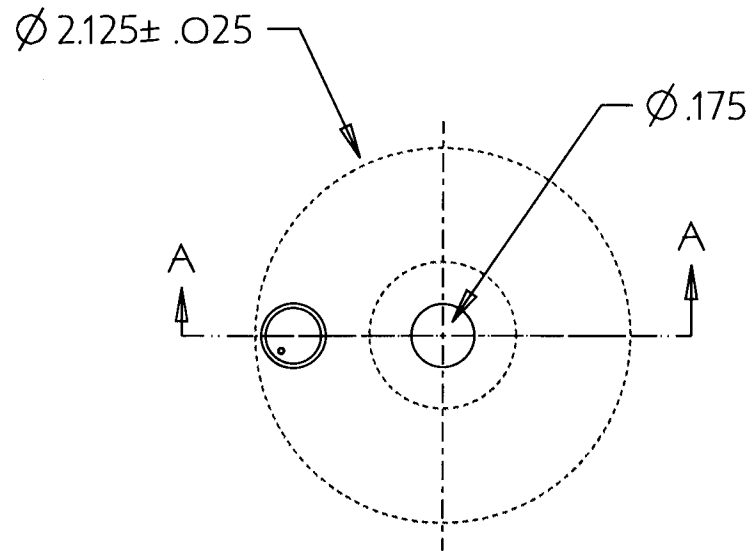


Pro/E MODEL NAME: JT_PRODUCTS.

REV

DESCRIPTION

DATE



SECTION A-A

CUSTOMER JT PRODUCTS			
		PART NAME JT_PRODUCTS	
SHRINKAGE:		TITLE: ZIP-EZ	
DATE: 23-Oct-08	SIZE A	PLASTIC MAT. PP	SHEET 1 of 1
SCALE 1:1			