



M&M Manufacturing Company

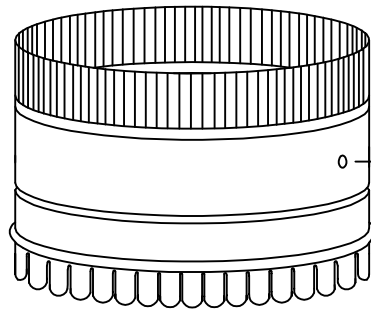
www.mmmfg.com

FORT WORTH (MkIV)
(817)-336-2311

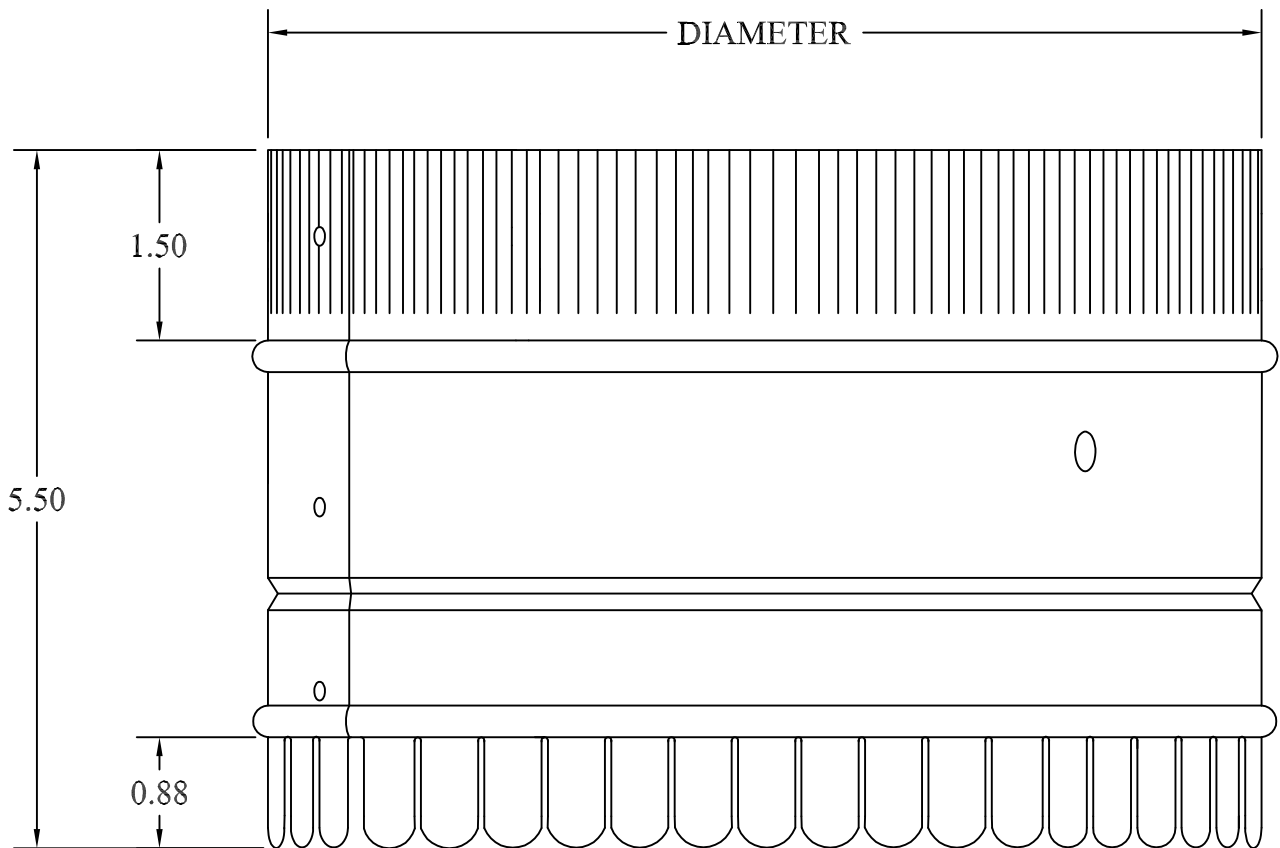
FORT WORTH (Adolph)
(817)-334-0034

DALLAS
(972)-485-1504

HOUSTON
(713)-690-0585



5/16" diameter holes for damper



PART #: 500H(Size) | **DESCRIPTION:** Round metal starting collar

NOTES: Material: 4" - 10" = 30 ga.; 12" - 24" = 28 ga.

ASTM-A653 CS B galvanized steel

Order as Pt# 500H(diameter in inches)