

M&M Manufacturing Company

FORT WORTH (MKTV)
(817)-336-2311

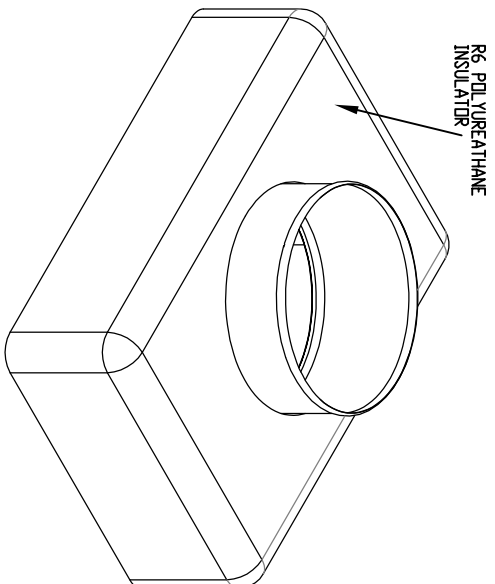
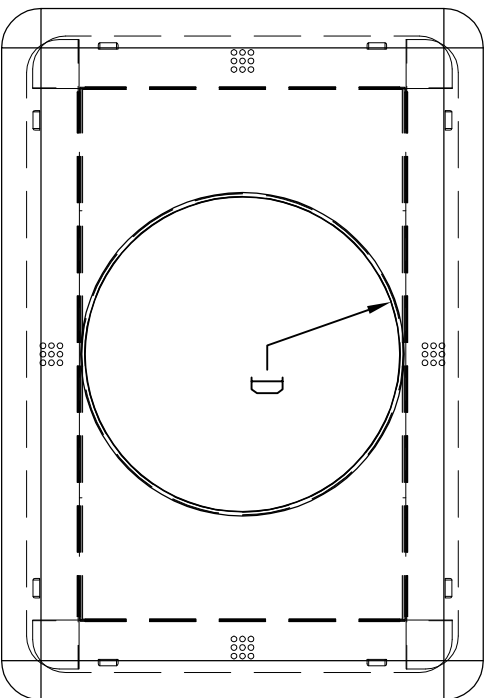
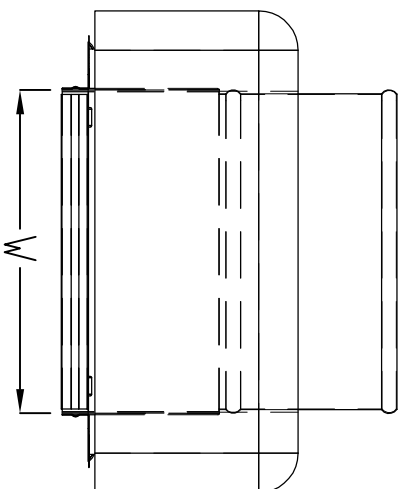
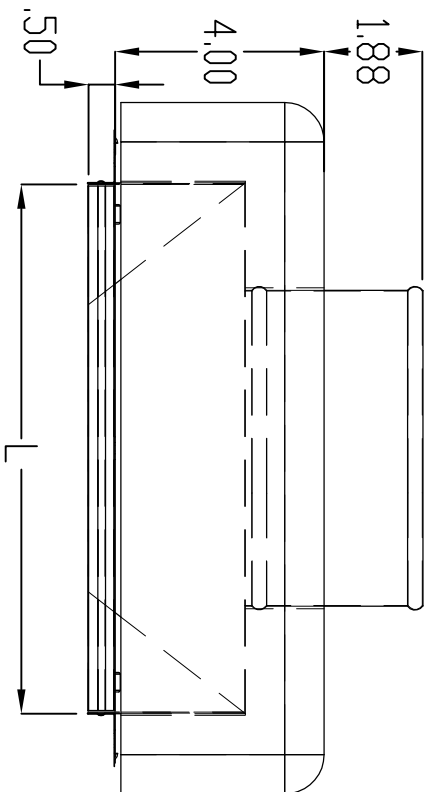
FORT WORTH (Ado1ph)
(817)-334-0034

DALLAS
(972)-485-1504

HOUSTON
(713)-690-0585

LITTLE ROCK
(501)-888-3042

www.mmmfg.com



PART#	L	W	D
602R6664	6	6	4
602R6665	6	6	5
602R6666	6	6	6
602R6684	8	4	4
602R6685	8	6	5
602R6686	8	6	6
602R6686	8	8	6
602R6687	8	8	7
602R6688	8	8	8
602R61065	10	6	5
602R61066	10	6	6
602R61086	10	8	6
602R61087	10	8	7
602R61088	10	8	8
602R610107	10	10	7
602R610108	10	10	8
602R610109	10	10	9
602R6101010	10	10	10
602R61287	12	8	7
602R61288	12	8	8
602R61288	12	12	8
602R612128	12	12	8
602R612129	12	12	9
602R6121210	12	12	10
602R6121212	12	12	12

PART #:
602R6LWD

DESCRIPTION: 602R6 DucTite® Insulator Redister Box w/ Snap Rail Flange
Seamless Register Box - Conforms to IRC M1601.3.1 Airtight code