



***Manitowoc***  
**Foodservice**  
**Parts Manual**

For more Parts Information:

<https://manitowocfsg.sysonline.com/Default.aspx>

# TABLE OF CONTENTS

Manitowoc Foodservice [Updated: Sep. 30, 2013]

Manitowoc - Ice & Related

Parts Catalog

Accessories

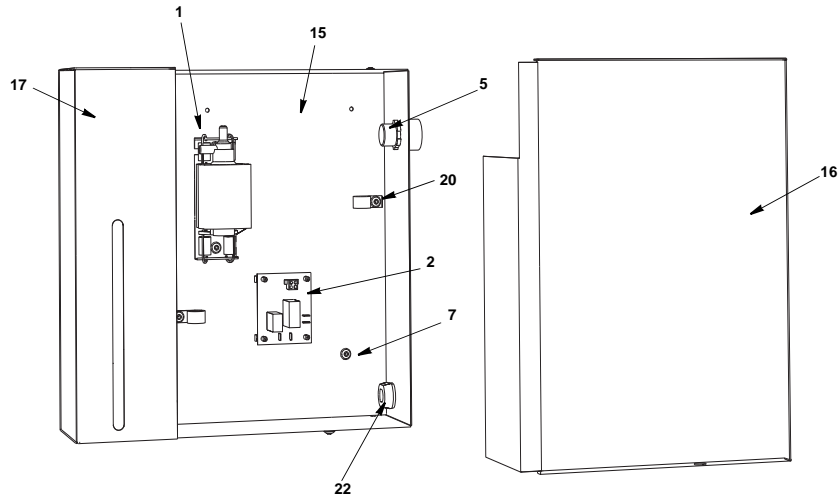
Automatic Cleaning Systems

iAuCS

iAuCS - All Components ..... 1

## IAUCS - ALL COMPONENTS

### AUXILIARY CLEANING SYSTEM



Description	Part No
1 Pump	
a. 115V/50-60/1 .....	000008735
b. 230V/50-60/1 .....	000008736
c. Bracket .....	000008907
2 Control Board	
a. 115-230/50-60/1 .....	000008120
b. Control board supports .....	4302253
3 Power Wiring Harness .....	000009067
4 Vinyl Tubing 0.25 ID .....	4420883
5 Fitting PVC Conduit .....	2502263
6 Hose Clamp .....	5650823
7 Screw #10-24 x 0.50 (Ground) .....	5029323
8 Lockwasher #10 .....	5573209
9 Screw #8-15 x 0.50 .....	5121649
10 Screw #10 x 24 x 0.50 .....	5202069
11 Ice Machine Cleaner	
a. US Shipment .....	000005163
b. International Shipment .....	000005162
12 Ice Machine Sanitizer	
a. US Shipment .....	000005165
b. International Shipment .....	000005164
13 Y-Fitting .....	4010449
14 Plastic Cap .....	9400163
15 Control Box .....	6010971
16 Front Cover Right Hand .....	6010981
17 Front Cover Left Hand .....	6002041
18 False Bottom .....	000008121
19 Control Box Mounting Bracket .....	7628043
20 Wiring Harness Clip .....	5650809
21 Strain Relief Bushing 115/60/1 .....	2512033
22 Strain Relief Bushing 230/50-60/1 .....	2512063
23 Locknut .....	2502203
24 Screw (front cover mounting) #8-32 x 0.50 .....	5026243

Updated: 6/12

iAuCs - 2

# iAuCS

## IAUCS - ALL COMPONENTS

#	PART #	DESCRIPTION	QTY	Note
1		Pump		
1a	000008735	iAuCS/IBAuCS Dispense Pump - 115V/50-60 Hz/1 Ph		
1b	000008736	iAuCS/IBAuCS Dispense Pump - 230V/50-60 Hz/1 Ph		
1c	000008907	iAuCS/IBAuCS Dispense Pump Bracket		
2		Control Board		
2a	000008120	Control Board - 115-230V/50-60 Hz/1 Ph		
2b	4302253	Control Board Mounting Supports		
3	000009067	Power Wiring Harness		
4	4420883	Vinyl Tubing - 0.25" ID		
5	2502263	Fitting PVC Conduit		
6	5650823	Hose Clamp		
7	5029323	Screw - #10-24 x 0.50"		[1]
8	5573209	Star Washer		
9	5121649	Screw - #8-15 x 0.50"		
10	5202069	Screw - #10-24 x 0.50" HEX		
11		Ice Machine Cleaner		
11a	000005163	Ice Machine Cleaner - US Shipment		
11b	000005162	Ice Machine Cleaner - International Shipment		
12		Ice Machine Sanitizer		
12a	000005165	Ice Machine Sanitizer - US Shipment		
12b	000005164	Ice Machine Sanitizer - International Shipment		
13	4010449	Y-Fitting		
14	9400163	Plastic Cap		
15		Control Box - See Note for Serial Break		
15a	6010971	Control Box		[2]
15b	000009295	Control Box		[3]
16	6010981	Front Cover - Left		
17		Front Cover - Right - See Note for Serial Break		
17a	6002041	Front Cover - Right		[2]
17b	000009297	Front Cover - Right		[3]
18		False Bottom - See Note for Serial Break		
18a	000008121	False Bottom		[2]
18b	000009296	False Bottom		[3]
19		Control Box Mounting Bracket - See Note for Serial Break		
19a	7628043	Control Box Mounting Bracket		[2]
19b	000010532	Control Box Mounting Bracket		[3]
20	5650809	Nylon Wire Harness Clip		
21	2512033	Strain Relief Bushing		[4]
22	2512063	Strain Relief Bushing		[5]
23	2502203	Locknut		
24	5026243	Screw - #8-32 x 0.50"		
25	2007683	Wiring Harness - Communication Wire		

# iAuCS

## IAUCS - ALL COMPONENTS

#	PART #	DESCRIPTION	QTY	Note
---	--------	-------------	-----	------

**PART NOTES:**

- [1] - Ground
- [2] - Before Serial Number 110133183
- [3] - After Serial Number 110133183
- [4] - 115V/60 Hz/1 Ph
- [5] - 230V/50-60 Hz/1 Ph