

iAuCS[®] Cleaning System

Indigo Ice Machine Accessory

Installation, Operation and Maintenance Manual

This manual is updated as new information and models are released. Visit our website for the latest manual.



Table of Contents

Section 1

General Information

Compatible Ice Machine Models	3
Model Compatibility	3

Section 2

Installation Instructions

General	5
Electrical Service	5
General	5
iAuCS® Installation	5
Location / Mounting	5
Height Requirement	6
Distance Requirement	6
Mounting	6
Connection to Ice Machine	7

Section 3

Operation

Determine Type of Solution Needed	11
Manitowoc Ice Machine Cleaner	11
Manitowoc Ice Machine Sanitizer	11
Hose Priming	11
Setting Frequency of Cleanings	12
Installing/Replacing Cleaner or Sanitizer Bottles	13
Changing the Solution Type	13
Automatic Operation	14
Manual Start Operation	14
Changing Switch Position During Automatic Operation	14
Removal from Service/Winterization	14

Section 4

Customer Support

AuCS® Accessory Warranty (Automatic Cleaning System)	15
---	-----------

Section 1

General Information

Compatible Ice Machine Models

The iAuCS accessory can be used on Manitowoc Indigo™ Series ice machines.

NOTE: Automatic Cleaning Systems are not compatible with 3000 Series, Flake/Nugget or SM50 model ice machines.

MODEL COMPATIBILITY

iAuCS

Self-Contained Air-Cooled	Self-Contained Water-Cooled	Remote	QuietQube Models
ID0302A IY0304A	ID0303W IY0305W	----	----
ID0322A IY0324A	ID0323W IY0325W	----	----
ID0452A IY0454A	ID0453W IY0455W	----	----
IR0500A ID0502A IY0504A	IR0501W ID0503W IY0505W	IR0590N ID0592N IY0594N	----
IR0520A ID0522A IY0524A	IR0421W ID0423W IY0425W	----	----
ID0602A IY0604A	ID0603W IY0605W	ID0692N IY0694N	ID0682C IY0684C IB0694YC IB0692DC
IR0850A ID0852A IY0854A	IR0851W ID0853W IY0855W	IR0890N ID0892N IY0894N	ID0872C IY0874C IB0894YC IB0892DC
ID1002A IY1004A	ID1003W IY1005W ID1003WM	ID1092N IY1094N	ID1072C IY1074C IB1094YC IB1092DC
ID1202A IY1204A	ID1203W IY1205W	----	ID1272C IY1274C
ID1402A IY1404A	ID1403W IY1405W ID1403WM	ID1492N IY1494N	ID1472C IY1474C
IR1800A ID1802A IY1804A	IR1801W ID1803W IY1805W	IR1890N ID1892N IY1894N	ID1872C IY1874C
----	----	----	ID2172C IY2174C

Warning

Do not operate equipment that has been misused, abused, neglected, damaged, or altered/modified from that of original manufactured specifications.

This appliance is not intended for use by persons (including children) with reduced physical, sensory or mental capabilities, or lack of experience and knowledge, unless they have been given supervision concerning use of the appliance by a person responsible for their safety.

iAuCS

The AuCS is mounted on the wall near the ice machine, or on the bin with the included bracket and hardware.

The AuCS must be installed by a trained and qualified technician.

THIS PAGE INTENTIONALLY LEFT BLANK

Section 2

Installation Instructions

General

These instructions are provided to assist the qualified installer. Check your local Yellow Pages for the name of the nearest Manitowoc distributor, or call Manitowoc Foodservice for information regarding start-up services.

Please contact you local Manitowoc Distributor or call Manitowoc Foodservice for assistance if you encounter a problem that is not covered by this manual.

Important

Failure to follow these installation guidelines may affect warranty coverage. Improper installation will affect dispensing rate. Install only within the parameters outlined in this installation manual.

Electrical Service

GENERAL

Warning

A trained and qualified technician must install the AuCS®.

Voltage Phase Cycle	Amperage
115/1/60	0.3
208-230/1/60	0.1

Line voltage is obtained from the ice machine. Refer to the Model/Serial plate on the ice machine and AuCS® to verify both voltages are the same.

AuCS® Installation

LOCATION / MOUNTING

Warning

All wiring must conform to local, state and national codes.

Warning

The ice machine and AuCS® must be grounded in accordance with national and local electrical codes.

Important

Observe correct polarity of incoming line voltage.

The location selected must meet the following criteria. If any of these criteria are not met, select another location.

- The location must be free of airborne and other contaminants.
- The air temperature must be at least 40°F (4°C), but must not exceed 110°F (43°C).
- The location must not be near heat-generating equipment or in direct sunlight.

Caution

The AuCS® accessory must be protected if it will be subjected to temperatures below 32°F (0°C). Failure caused by exposure to freezing temperatures is not covered by the warranty. See "Removal from Service/Winterization".

HEIGHT REQUIREMENT

Either the base or the top of the AuCS® accessory must be within 2" (5 cm) of the base of the ice machine. Do not mount the AuCS® unit too high or too low.

⚠ Caution

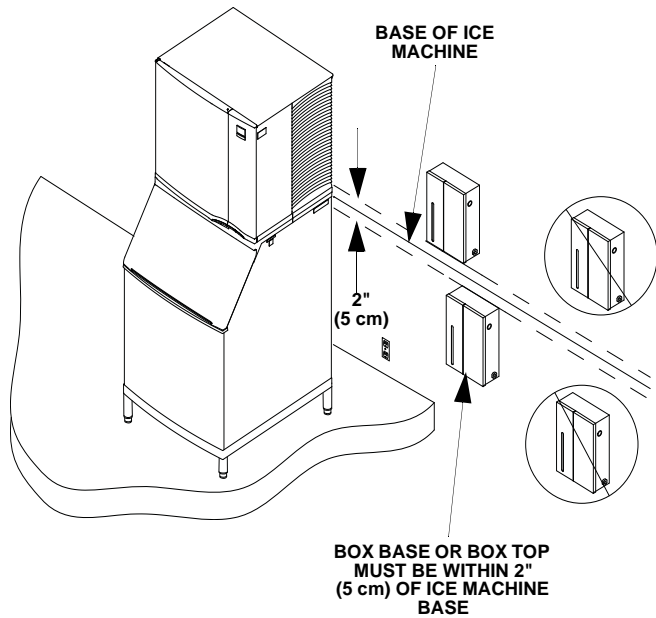
The cleaner or sanitizer may siphon (or dispense improperly) into the ice machine water trough if the AuCS® unit is mounted too high or too low.

DISTANCE REQUIREMENT

The AuCS® unit must be mounted within 9 feet (2.7 m) of the ice machine to accommodate the low voltage communication wire and tubing. The tubing may be shortened to accommodate a run of less than 9 feet (2.7 m).

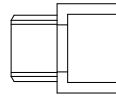
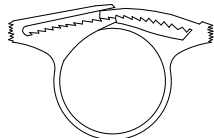
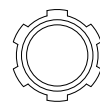
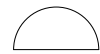
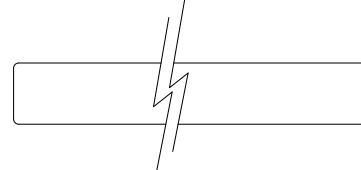
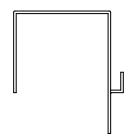
⚠ Caution

Do not extend the length of the 9-foot (2.7 m) low voltage communication wire or tubing. The correct amount of solution will not dispense.



MOUNTING

Parts

-  1/2" PVC CONDUIT FITTING
-  HOSE CLAMPS
-  LOCKNUT
-  BUMPER
-  FOAM TAPE
-  BRACKET

⚠ Caution

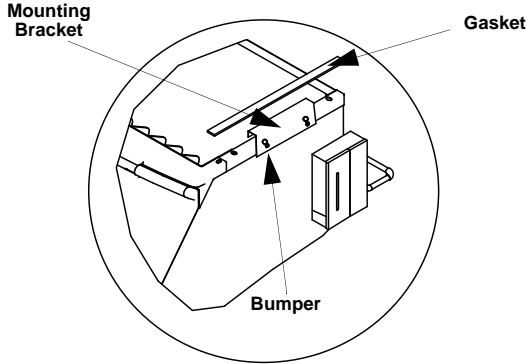
The AuCS® unit may be mounted to the bin or dispenser only when permitted by local electrical codes.

Mounting to Bin or Dispenser

NOTE: The ice machine's serviceability may be reduced when the AuCS® unit is mounted to the bin or dispenser. Wall mounting is recommended.

1. Set the mounting bracket over the bin top rail at desired location.
2. Remove the backing from the foam adhesive tape. Apply tape to mounting bracket, and along the entire bin rail.
3. Align the AuCS® key slots with the mounting bracket tabs. Verify the tabs are at the top of the key slots and that the AuCS® unit is level.

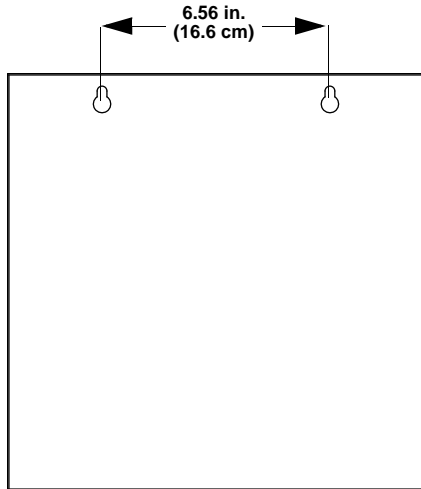
- Remove the backing from the adhesive bumpers. Attach bumpers to the mounting bracket directly above the AuCS® control box. This eliminates upward movement and stops the tabs from disengaging the key slots.



Mounting to Ice Machine

Mounting to Wall

The AuCS® is mounted to the wall using the two key slots in the back wall of the accessory. Screw fasteners (not supplied) must hold the entire weight of the AuCS® (approximately 10 lbs. [4.5 kg]).



Key Slot Dimensions

CONNECTION TO ICE MACHINE

Electrical Connections

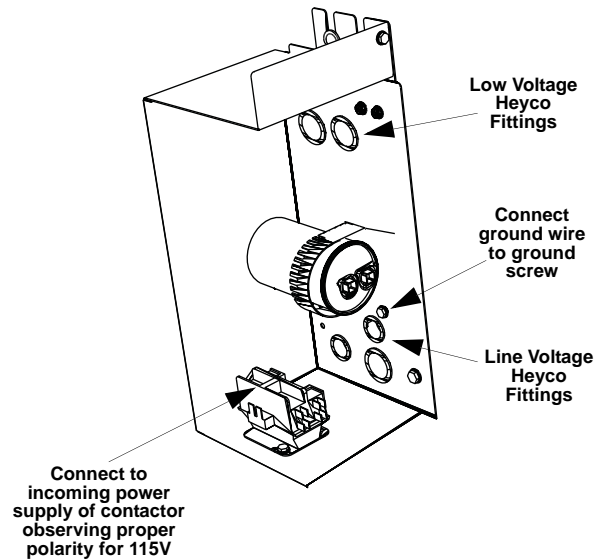
- Check electrical code for your area.
- When local code allows, the included wire and strain relief can be used for line voltage wiring. Remove knockout from ice machine and install strain relief and wire.
 - When conduit is required remove strain relief and ice machine electrical knockout. Install conduit as required by your electrical code.

Warning

Disconnect the electrical power supply to the ice machine at the electrical disconnect before proceeding.

- Connections on ice machines vary. Refer to the diagram for the ice machine you are working on.
- Remove the front, top, and right side panels from the ice machine.
 - Route line voltage wires through control box line voltage heyco fitting. Connect line voltage wires to incoming power supply of contactor and ground screw.

NOTE: On QuietQube Ice Machines the power connection is made at the incoming power supply (L1 and L2). Cut-off yellow terminal (L2) and purple terminal (L1) on AuCS harness. Strip insulation back 1/2" and connect.

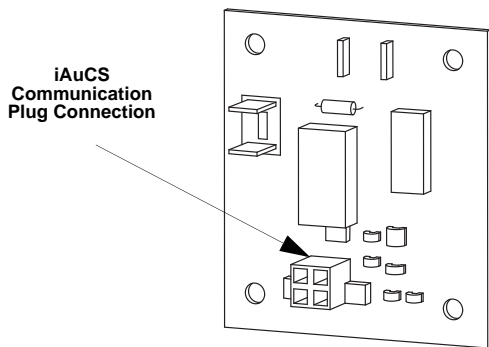


Communication Wire and Vinyl Tubing

The communication wire and vinyl tubing must be installed in conduit to protect them from damage.

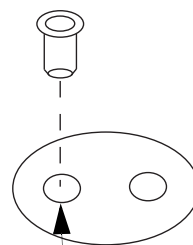
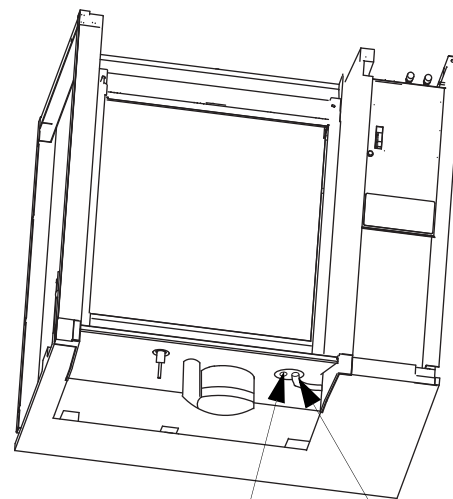
1. Remove the 7/8" knockout hole plug located on the back of the ice machine.
2. Install conduit from the AuCS® unit to the ice machine. A pulling elbow is recommended for easier routing of the vinyl tubing and modular wire.
3. Route low voltage communication wire and vinyl tubing together through the conduit.
4. Route modular wire through control box low voltage heyco fitting. Do not route with line voltage wiring, erratic operation could result. Connect modular wire to control board.
5. Connect the communication wire to the AuCS control board.

iAuCS® Control Board

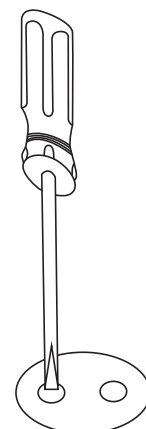


Vinyl Tubing Connection

1. Remove the water trough.
 - A. Depress tabs on right and left side of the water trough.
 - B. Allow front of water trough to drop as you pull forward to disengage the rear pins.
2. Locate the water inlet tube on the right hand side (see below) of the ice machine base.
 - After serial number 1101246915 - Use a screwdriver to remove membrane.
 - Before serial number 1101246915 - Press up on the plug until it is out.



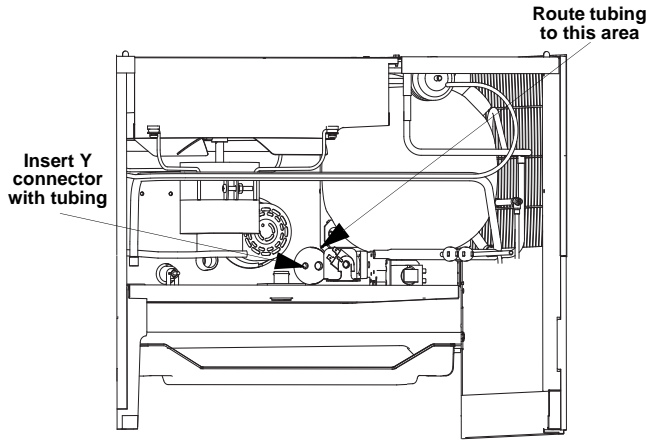
Press up on bottom of plug to pop out



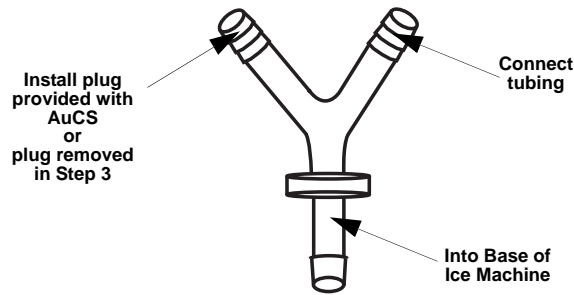
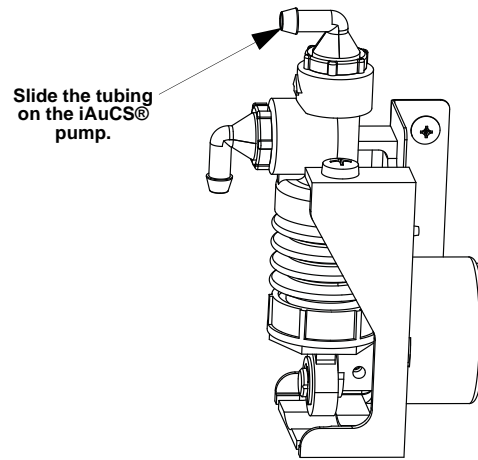
After Serial Number 1101246915 use screwdriver to remove membrane

- 3. Locate and remove either the membrane material or the plug from the ice machine.
- 4. Apply food grade silicone and install Y connector through the hole in the ice machine base. Connect the clear vinyl tubing to one side of the Y branch, the other side is for the plug removed in step 3 or the plug provided with the AuCS.

- 5. Determine the amount of tubing required in the AuCS control box and cut off the excess tubing.
- 6. Slide the tubing on the AuCS® pump.



Top View



Y-Connector

THIS PAGE INTENTIONALLY LEFT BLANK

Section 3 Operation

Determine Type of Solution Needed

Caution

Use only Manitowoc approved Ice Machine Cleaner & Sanitizer. It is a violation of Federal law to use these solutions in a manner inconsistent with their labeling. Read and understand all labels on the bottles before use.

The AuCS® accessory will dispense Cleaner OR Sanitizer. It cannot dispense both at the same time.

MANITOWOC ICE MACHINE CLEANER

Part Number 94-0546-3

Ice Machine Cleaner is used to control build-up and to remove lime scale or other mineral deposits. It will not "sanitize" the ice machine.

It is recommended for use in places that have lime scale or other mineral deposits, but no problems with slime.

Model	Amount of Cleaner Dispensed
22" or 30" Ice Machine	3 oz (88 ml)
48" Ice Machine	6 oz (177 ml)

MANITOWOC ICE MACHINE SANITIZER

Part Number 94-0565-3

Ice Machine Sanitizer is used for sanitizing and controlling algae build-up (slime) and other bacterial growth. The ice machine (and bin or dispenser) must be sanitized on a regular schedule, following Manitowoc recommendations and local regulations.

It is recommended for use in places such as pizzerias, bars, bakeries, etc., that have airborne bacteria (yeast). Sanitizing is also recommended in places that do not have lime scale (or other mineral deposit problems).

Model	Amount of Sanitizer Dispensed
22" or 30" Ice Machine	3 oz (88 ml)
48" Ice Machine	6 oz (176 ml)

Hose Priming

The dispenser pump requires priming after initial installation, or if the hose between the AuCS® reservoir and pump has been pumped dry or the tubing between the AuCS® pump and the ice machine has been pumped dry.

Warning

Do not blow into or suck on the hose in an attempt to prime it.

Perform the following procedure:

1. Press the CLEAN button.
2. The water pump and dump valve will turn on. The dump valve will shut off after approximately 45 seconds.
3. The control waits until water contacts the water level probe then energizes the AuCS® pump (22" or 30" ice machines - 30 seconds, 48" ice machines - 60 seconds).
4. Allow the ice machine to complete the cleaning or sanitizing cycle. Refer to "Manual Start Operation" for details.

Important

The priming procedure starts the automatic cleaning mode. After starting an ice making cycle, the ice machine will run through 6 rinse and dump cycles before making ice.

Setting Frequency of Cleanings

The AuCS® unit is factory-set to initiate and complete a clean sequence approximately once every two weeks.

iAuCS

For less frequent cleaning, use the controller to select an interval.

1. Press Menu.
2. Scroll to Setup and press right arrow.
3. Scroll to AuCS Runtime and press right arrow.
Display reads:
AuCS on
AuCS off
Set interval
Exit
4. Select AuCS on and press checkmark.
5. Select set interval. Display reads:
.5 mo
1 mo
2 mo
3 mo
4 mo
5 mo
6 mo
Exit
6. Select desired time period and press checkmark (15 days, 1 month, 2 months, etc.).
7. Press Left arrow repeatedly to exit to Main screen.

Important

Using the AuCS® accessory is supplemental to regular cleaning and sanitizing. The AuCS® accessory will clean surfaces that come in contact with the water distribution system. Periodic maintenance must be performed every six months that includes sanitizing the ice machine, bin (or dispenser) and adjacent surface areas, which cannot be contacted by the water distribution system. Refer to the ice machine installation use and care manual for cleaning/sanitizing procedures.

Warning

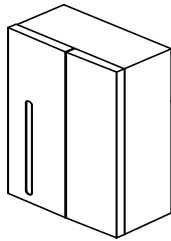
Read and understand this entire manual prior to operation of the AuCS® unit. You must understand all warning and caution statements and follow all safety precautions to assure proper operation of your AuCS® accessory.

Installing/Replacing Cleaner or Sanitizer Bottles

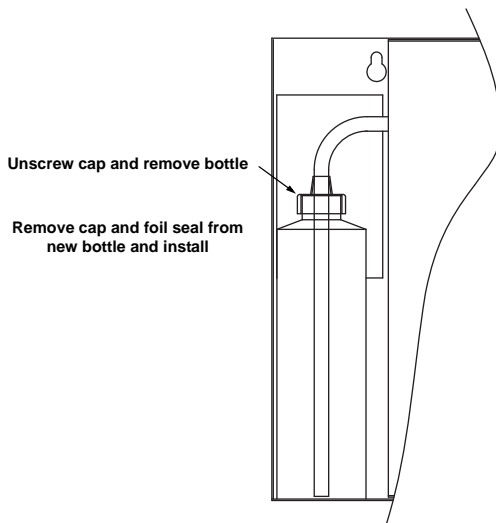
Caution

Do not mix Cleaner and Sanitizer solutions together. It is a violation of Federal law to use these solutions in a manner inconsistent with their labeling.

1. Remove left panel.



2. Unscrew nozzle/tubing from bottle, then remove bottle.
3. Remove bottle cap and foil seal from new bottle.
4. Install nozzle/tubing on new bottle.
5. Reinstall left panel.



Changing the Solution Type

Caution

Wear rubber gloves and safety goggles (and/or face shield) when handling Cleaner and Sanitizer.

Caution

Do not mix Cleaner and Sanitizer solutions together. It is a violation of Federal law to use these solutions in a manner inconsistent with their labeling.

Warning

Do not use 1 gallon bottles of Cleaner or Sanitizer on the AuCS® accessory.

Use the following procedure to flush the system prior to changing from Cleaner to Sanitizer or from Sanitizer to Cleaner.

1. Remove the bottle of Cleaner or Sanitizer from the AuCS®. Flush the bottle thoroughly then fill with water.
2. Repeat the following until the water bottle is empty (approximately 8 times):
 - A. Press the CLEAN button.
 - B. The water pump and dump valve will turn on. The dump valve will shut off after approximately 45 seconds.
 - C. The control waits until the water contacts the water level probe then energizes the AuCS® pump (22" or 30" ice machines - 30 seconds, 48" ice machines - 60 seconds).
 - D. Press the POWER button after step C is completed.
3. Install a new bottle of cleaner or sanitizer solution.

Automatic Operation

The following occurs when the ice machine is in ice making mode:

- The ice machine control board counts the number of harvest cycles.
- A cleaning sequence starts when the harvest count equals the “Frequency of Cleaning” setting of the AuCS®.
- When the clean sequence is complete (approximately 24 minutes Indigo Series), ice making resumes automatically, and the “Harvest Count” is reset to zero.

Important

Opening the curtain switch will interrupt the clean sequence. The sequence will resume from the point of interruption when the curtain re-closes.


NOTE: The harvest count is automatically reset after the AuCS® sequence is completed. It cannot be reset by unplugging the modular wire, changing the switch position, power loss, etc.

Important

Using the AuCS® accessory is supplemental to regular cleaning and sanitizing. The AuCS® accessory will clean surfaces that come in contact with the water distribution system. Periodic maintenance must be performed every six months that includes sanitizing the bin (or dispenser) and adjacent surface areas, which cannot be contacted by the water distribution system. Refer to the ice machine installation use and care manual for cleaning/sanitizing procedures.

Manual Start Operation

Step 1 Press the POWER button after ice falls from the evaporator at the end of a Harvest cycle. Or, set the switch to the OFF position and allow the ice to melt off the evaporator.

 **Caution**

Never use anything to force ice from the evaporator. Damage may result.

Step 2 To start the automatic cleaning system, press the CLEAN button. The water will flow through the water dump valve and down the drain. The clean light will turn on to indicate the ice machine is in Clean Mode. The AuCS® pump energizes automatically to add cleaner or sanitizer to the ice machine.

Step 3 The ice machine will automatically time out a wash cycle, followed by rinse cycles, and stop. This entire cycle lasts approximately 24 minutes Indigo Series.

Step 4 The ice machine will start and finish the clean sequence, then automatically start ice making again.

Changing Switch Position During Automatic Operation


If a clean cycle is started and then stopped before the water inlet valve energizes or the water pump starts (45 seconds into the cycle), the clean cycle will be aborted.

If a clean cycle is started and then stopped after the water inlet valve energizes (more than 45 seconds into the cycle) and is then switched to:

ICE MAKING	The clean sequence resumes from the point of interruption. After completion of the cleaning sequence, the counter resets and the ice machine starts making ice.
CLEAN	The clean sequence resumes from the point of interruption. After the clean cycle is complete, the ice machine will stop and wait until either Ice Making or Clean is manually selected.

After 45 seconds, the ice machine will complete the clean sequence regardless of toggle switch position.

Removal from Service/Winterization

 **Caution**

Leaving solutions in the AuCS® in freezing temperatures may result in severe damage to the dispensing pump. A failure of this nature is not covered by the warranty.

If the AuCS® is to be removed from service for extended periods, or if it is to be exposed to ambient temperatures 32°F (0°C) or below, follow this procedure:

1. Remove the Cleaning or Sanitizing solution bottle.
2. Follow the instructions under “Hose Priming” to pump all of the solution out of the dispensing pump and line.

Section 4 Customer Support

AuCS® Accessory Warranty (Automatic Cleaning System)

Manitowoc Ice (hereinafter referred to as the "COMPANY") warrants for a period of thirty-six months from the installation date (except as limited below) that new AuCS® manufactured by the COMPANY shall be free of defects in material or workmanship under normal and proper use and maintenance as specified by the COMPANY and upon proper installation and start-up in accordance with the instruction manual supplied with the AuCS®.

The obligation of the COMPANY under this warranty is limited to the repair or replacement of parts, components, or assemblies that in the opinion of the COMPANY are defective. This warranty is further limited to the cost of parts, components or assemblies and standard straight time labor charges at the servicing location.

Time and hourly rate schedules, as published from time to time by the COMPANY, apply to all service procedures. Additional expenses including without limitation, travel time, overtime premium, material cost, accessing or removal of the AuCS®, or shipping are the responsibility of the owner, along with all maintenance, adjustments, and cleaning costs. Labor covered under this warranty must be performed by a COMPANY Contracted Service Representative or a refrigeration service agency as qualified and authorized by the COMPANY'S local Distributor. The COMPANY'S liability under this warranty shall in no event be greater than the actual purchase price paid by the customer for the AuCS®.

The foregoing warranty shall not apply to (1) any part or assembly that has been altered, modified, or changed; (2) any part or assembly that has been subjected to misuse, abuse, neglect, or accidents; (3) ice machine cleaner or sanitizer solution; (4) any AuCS® that has been installed and/or maintained inconsistent with the technical instructions provided by the COMPANY; or (5) any AuCS® initially installed more than five years from the serial number production date.

The AuCS® Accessory is designed to operate only with Manitowoc approved cleaner and sanitizer on the COMPANY'S ice machines.

THIS WARRANTY IS IN LIEU OF ALL OTHER WARRANTIES OR GUARANTEES OF ANY KIND, EXPRESSED OR IMPLIED, INCLUDING ANY IMPLIED WARRANTY OF MERCHANTABILITY OR FITNESS FOR A PARTICULAR PURPOSE. In no event shall the COMPANY be liable for any special, indirect, incidental or consequential damages. Upon the expiration of the warranty period, the COMPANY'S liability under this warranty shall terminate. The foregoing warranty shall constitute the sole liability of the COMPANY and the exclusive remedy of the customer or user.

To secure prompt and continuing warranty service, the warranty registration card must be completed and sent to the COMPANY within five (5) days from the installation date.

Complete the following and retain for your record:

Distributor/Dealer _____

Model Number _____ Serial Number _____

Installation Date _____

MANITOWOC ICE

2110 So. 26th St., P.O. Box 1720, Manitowoc, WI 54221-1720

Telephone: 920-682-0161 • Fax: 920-683-7585

Web Site - www.manitowocice.com

Form 80-0912-3 Rev. 01-02

Table des matières

Section 1 Généralités

Modèles de machines à glaçons compatibles	18
Compatibilité des modèles :	18

Section 2 Instructions d'installation

Généralités	19
Alimentation électrique	19
Généralités	19
iAuCS® Installation	19
Emplacement/Fixation	19
Condition requise de hauteur	20
Condition requise de distance	20
Montage	20
Connexion à la machine à glaçons	21

Section 3 Fonctionnement

Déterminer le type de solution requis	25
Nettoyant pour machines à glaçons Manitowoc	25
Désinfectant pour machines à glaçons Manitowoc	25
Amorçage du tuyau	25
Réglage de la fréquence des nettoyages	26
Installation/Remplacement des bouteilles de nettoyant ou de désinfectant ...	27
Changer le type de solution	27
Fonctionnement automatique	28
Fonctionnement de démarrage manuel	28
Changement de position du commutateur pendant le fonctionnement automatique	29
Mise hors service/Hivérisation	29

Section 4 Service clientèle

Garantie commerciale de la machine à glaçons	30
Garantie limitée résidentielle de la machine à glaçons	31

Section 1

Généralités

Modèles de machines à glaçons compatibles

L'accessoire iAuCS® peut être utilisé sur les machines à glaçons de Série Manitowoc Indigo™.

REMARQUE : Les systèmes de nettoyage automatique ne sont pas compatibles avec les machines à glaçons Modèle Série 3000, Modèle Flake/Nugget ou Modèle SM50.

COMPATIBILITÉ DES MODÈLES

iAuCS

Autonomes refroidis par air	Autonomes refroidis à l'eau	À distance	Modèles QuietQube
ID0302A IY0304A	ID0303W IY0305W	----	----
ID0322A IY0324A	ID0323W IY0325W	----	----
ID0452A IY0454A	ID0453W IY0455W	----	----
IR0500A ID0502A IY0504A	IR0501W ID0503W IY0505W	IR0590N ID0592N IY0594N	----
IR0520A ID0522A IY0524A	IR0421W ID0423W IY0425W	----	----
ID0602A IY0604A	ID0603W IY0605W	ID0692N IY0694N	ID0682C IY0684C IB0694YC IB0692DC
IR0850A ID0852A IY0854A	IR0851W ID0853W IY0855W	IR0890N ID0892N IY0894N	ID0872C IY0874C IB0894YC IB0892DC
ID1002A IY1004A	ID1003W IY1005W ID1003WM	ID1092N IY1094N	ID1072C IY1074C IB1094YC IB1092DC
ID1202A IY1204A	ID1203W IY1205W	----	ID1272C IY1274C
ID1402A IY1404A	ID1403W IY1405W ID1403WM	ID1492N IY1494N	ID1472C IY1474C
IR1800A ID1802A IY1804A	IR1801W ID1803W IY1805W	IR1890N ID1892N IY1894N	ID1872C IY1874C
----	----	----	ID2172C IY2174C

Avertissement

Ne pas utiliser un équipement qui aura été mal utilisé, abusé, négligé, endommagé ou dont les spécifications originales de fabrication auront été altérées/modifiées.

Le présent appareil ne doit pas être utilisé par des personnes (enfants y compris) ayant des capacités physiques, sensorielles ou mentales diminuées, ou ayant un manque d'expérience et de connaissance, à moins que celles-ci n'aient reçu une formation sur l'utilisation de l'appareil par une personne responsable de leur sécurité.

iAuCS®

Les accessoires AuCS® sont montés sur le mur à proximité de la machine à glaçons ou sur le bac à l'aide du support et de la visserie fournis.

Les accessoires AuCS® doivent être installés par un technicien expérimenté et qualifié.

THIS PAGE INTENTIONALLY LEFT BLANK

Section 2

Instructions d'installation

Généralités

Ces instructions sont fournies pour aider l'installateur qualifié. Consulter les Pages jaunes pour obtenir le nom du distributeur Manitowoc le plus proche ou appeler Manitowoc Foodservice pour toute information relative aux services de mise en service.

Prière de contacter le distributeur Manitowoc local ou appeler Manitowoc Foodservice pour toute assistance en cas de problème non traité par le présent Manuel.

Important

Ne pas suivre ces directives d'installation risquent d'affecter la couverture de garantie. Une mauvaise installation affectera le débit de distribution. Installer uniquement dans les limites des paramètres décrits dans ce manuel d'installation.

Alimentation électrique

GÉNÉRALITÉS

Avertissement

Un technicien formé et qualifié doit installer l'accessoire AuCS®.

Tension/Phase/Cycle	Intensité
115/1/60	0.3
208-230/1/60	0.1

La tension de secteur est obtenue de la machine à glaçons. Consulter la plaque de modèle/série sur la machine à glaçons et l'accessoire AuCS® pour vérifier que les deux tensions sont les mêmes.

Installation des accessoires iAuCS

EMPLACEMENT/FIXATION

Avertissement

Tout le câblage doit être conforme aux codes locaux, régionaux et nationaux.

Avertissement

La machine à glaçons et les accessoires AuCS® doivent être mises à la terre conformément aux codes nationaux et locaux de l'électricité.

Important

Observer la polarité correcte de la tension de la ligne d'arrivée.

L'emplacement sélectionné doit répondre aux critères suivants. Si l'un de ces critères n'est pas respecté, choisir un autre emplacement.

- L'emplacement doit être exempt d'agents aéroportés et de toute autre substance contaminante.
- La température de l'air doit être au moins de 4 °C (40 °F) sans excéder 43 °C (110 °F).
- L'emplacement ne doit pas se trouver à proximité d'appareils générateurs de chaleur ou à la lumière directe du soleil.

Attention

L'accessoire AuCS® doit être protégé s'il doit être soumis à des températures inférieures à 0 °C (32 °F). Toute défaillance due à une exposition à des températures inférieures à 0 °C n'est pas couverte par la garantie. Voir la section « Mise hors service/Hivérisation ».

CONDITION REQUISE DE HAUTEUR

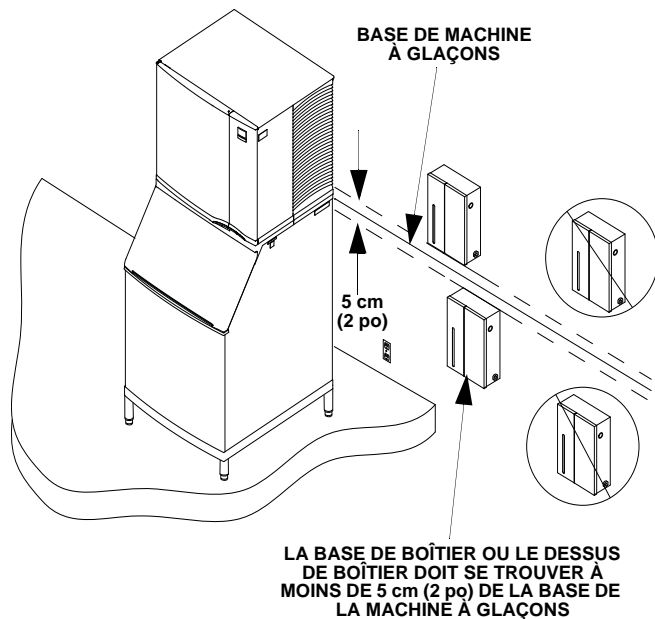
Soit la base ou le dessus de l'accessoire AuCS® doit être à moins de 5 cm (2 po) de la base de la machine à glaçons. Ne pas monter l'unité AuCS® trop haut ou trop bas.

⚠ Attention
 Le nettoyant ou désinfectant peut siphonner (ou se distribuer de manière inappropriée) dans le bac d'eau de la machine à glaçons si l'unité AuCS® est montée trop haut ou trop bas.

CONDITION REQUISE DE DISTANCE

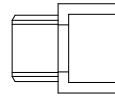
L'unité AuCS® doit être montée dans les 2,7 m (9 pieds) de la machine à glaçons pour accommoder le fil et la tubulure de communication de basse tension. La tubulure peut être raccourcie pour accommoder un parcours de moins de 2,7 m (9 pieds).

⚠ Attention
 Ne pas prolonger la longueur de 2,7 m (9 pieds) de fil ou tubulure de communication de basse tension. La quantité correcte de solution ne se distribuera pas.

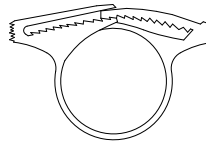


MONTAGE

Pièces



RACCORD DE CONDUIT 1/2" PVC



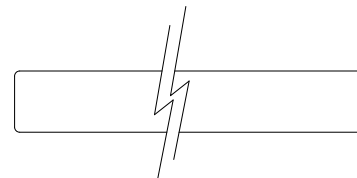
COLLIERS DE SERRAGE



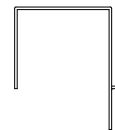
CONTRE-ÉCROU



BUTOIR



RUBAN EN MOUSSE



SUPPORT

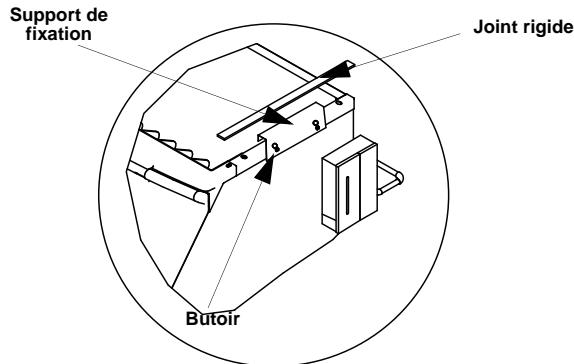
⚠ Attention
 L'unité AuCS® peut être montée sur le bac ou le distributeur uniquement lorsque cela est permis par les codes locaux de l'électricité.

Fixation sur le bac ou le distributeur

REMARQUE : La facilité de maintenance de la machine à glaçons peut être réduite lorsque l'unité AuCS® est montée sur le bac ou le distributeur. La fixation murale est recommandée.

1. Poser le support de fixation sur la traverse supérieure de bac à l'emplacement désiré.
2. Retirer le film du ruban adhésif en mousse. Appliquer le ruban sur le support de fixation et le long de toute la traverse de bac.
3. Aligner les trous ovales AuCS® sur les pattes de support de fixation. Vérifier que les pattes se trouvent sur le dessus des trous ovales et que l'unité AuCS® est de niveau.

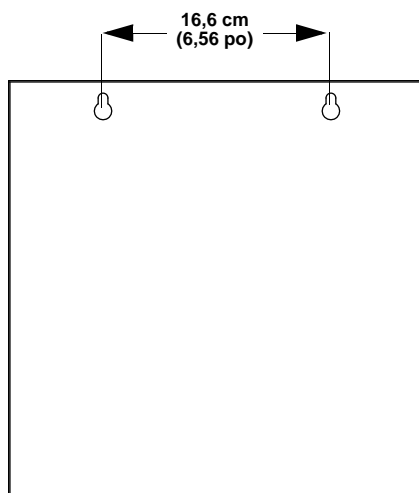
4. Retirer le film des butoirs adhésifs. Attacher les butoirs au support de fixation directement au-dessus du boîtier de commande AuCS®. Ceci élimine le mouvement vers le haut et empêche les pattes de se dégager des trous ovales.



Fixation sur la machine à glaçons

Fixation murale

L'accessoire AuCS® se fixe au mur à l'aide des deux trous ovales dans la paroi arrière de l'accessoire. Les fixations à vis (non fournies) doivent supporter tout le poids de l'accessoire AuCS® (approximativement 4,5 kg [10 lb]).



Dimensions de trous ovales

CONNEXION À LA MACHINE À GLAÇONS

Raccordements électriques

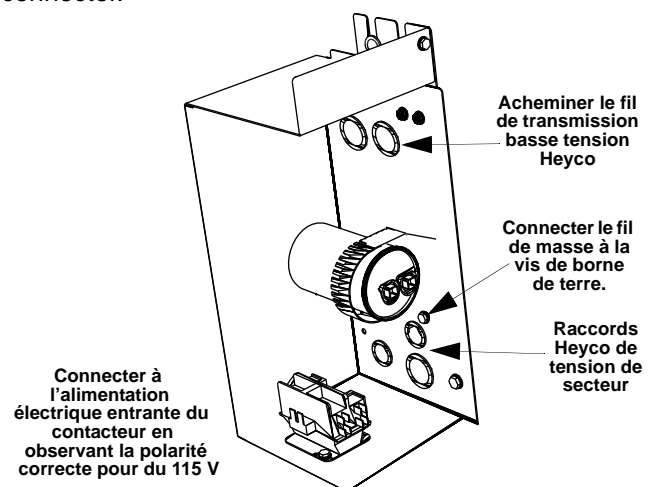
1. Consulter le code d'électricité pour la région.
- Lorsque le code local le permet, le fil inclus et le réducteur de tension peuvent être utilisés pour le câblage de tension de secteur. Retirer l'alvéole défonçable de la machine à glaçons et installer le réducteur de tension et le fil.
- Lorsqu'un conduit est requis, retirer le réducteur de tension et l'alvéole défonçable de la machine à glaçons. Installer le conduit tel que requis par le code d'électricité local.

⚠ Avertissement

Couper l'alimentation électrique à la machine à glaçons au niveau du sectionneur électrique avant de continuer.

- Les connexions sur les machines à glaçons varient. Consulter le schéma pour la machine à glaçons en question.
2. Retirer les panneaux avant, supérieur et droit de la machine à glaçons.
 3. Acheminer les fils de tension de secteur à travers le raccord Heyco de tension de secteur de boîtier de commande. Connecter les fils de tension de secteur à l'alimentation électrique entrante du contacteur et de la vis de borne de terre.

REMARQUE : Sur les machines à glaçons Modèle S QuietQube, la connexion d'alimentation est effectuée au niveau de l'alimentation entrante (L1 et L2). Couper la borne jaune (L2) et la borne violette (L1) sur le faisceau AuCS. Dénuder l'isolation sur 13 mm (1/2 po) et connecter.



Fil de transmission et tubulure en vinyle

Le fil de transmission et la tubulure en vinyle doivent être installés dans le conduit pour les protéger de tout dommage.

1. Retirer le bouchon de l'alvéole de 7/8 po situé sur l'arrière de la machine à glaçons.
2. Installer le conduit de l'unité AuCS® à la machine à glaçons. Il est recommandé d'utiliser un coude de tirage pour acheminer plus facilement la tubulure en vinyle et le fil modulaire.
3. Acheminer le fil de transmission basse tension et la tubulure en vinyle ensemble à travers le conduit.
4. Acheminer le fil modulaire à travers le raccord Heyco de basse tension du boîtier de commande. Ne pas acheminer avec le câble de tension de secteur et ce, pour éviter un fonctionnement erratique. Connecter le fil modulaire au tableau de commande.
5. Connecter le fil de transmission au tableau de commande AuCS.

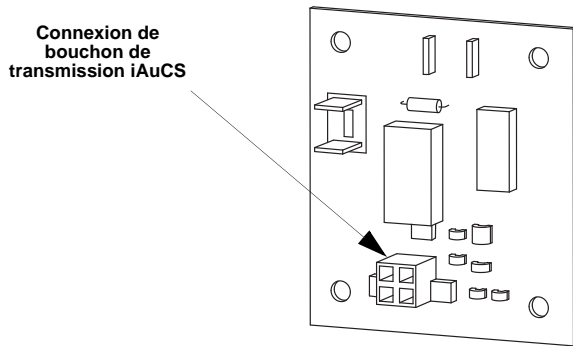
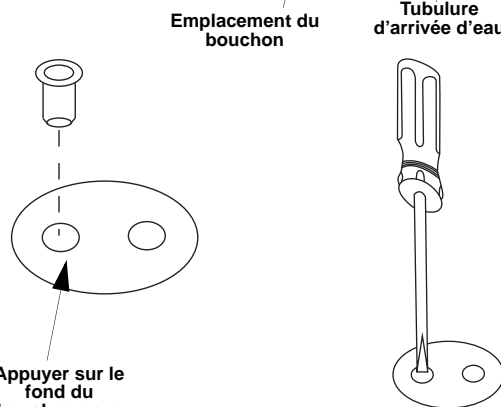
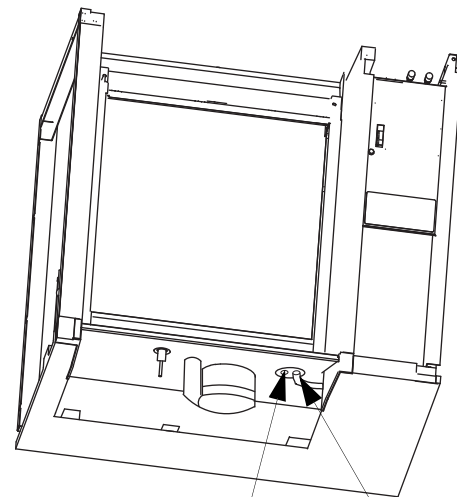


Tableau de commande Indigo™

Connexion de tubulure en vinyle

1. Déposer le bac à eau.
 - A. Appuyer sur les languettes sur la droite et la gauche du bac à eau.
 - B. Laisser le bac à eau descendre en le tirant vers l'avant pour désengager les chevilles arrière.
2. Localiser le tube d'arrivée d'eau sur la droite (voir ci-dessous) de la base de la machine à glaçons. Directement sur la gauche du tube se trouve un petit bouchon qui doit être enlevé. Appuyer sur le bouchon jusqu'à ce qu'il soit sorti.

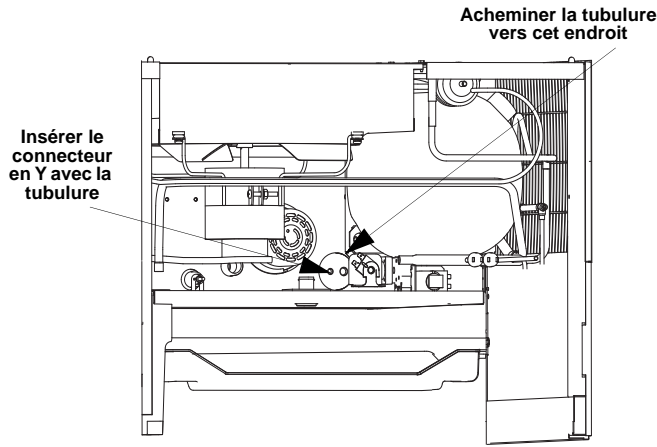


Appuyer sur le fond du bouchon pour le faire sortir

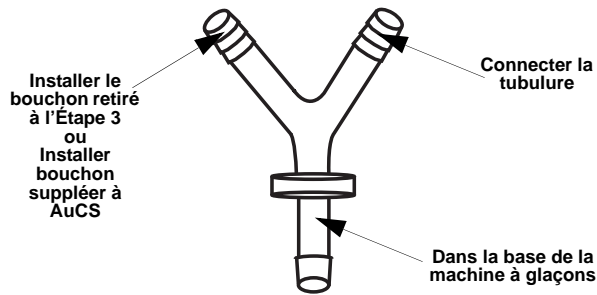
À la suite Feuilleton Numéroté 1101246915 utilité tournevis à supprimer membrane

3. Localiser le bouchon et le retirer de la machine à glaçons.

4. Installer le connecteur en Y à travers le trou dans la base de la machine à glaçons. Connecter la tubulure en vinyle transparent d'un côté du connecteur en Y, l'autre côté étant réservé pour le bouchon retiré à l'étape 3.

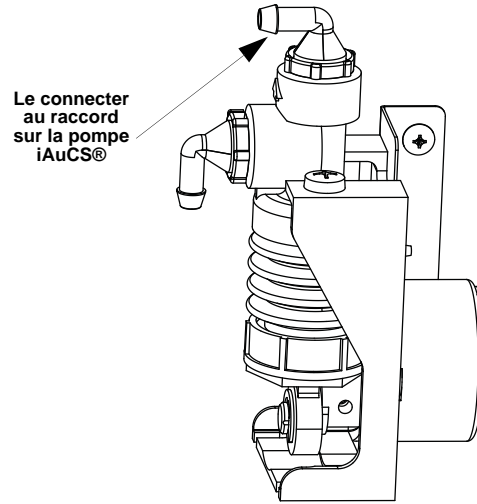


Vue du dessus



Connecteur en Y

5. Déterminer la longueur de tubulure requise dans le boîtier de commande AuCS et couper toute tubulure excédentaire.
6. Le connecter au raccord sur la pompe AuCS®.



THIS PAGE INTENTIONALLY LEFT BLANK

Section 3

Fonctionnement

Déterminer le type de solution requis

Attention

Utiliser uniquement le nettoyant et le désinfectant pour machines à glaçons approuvés par Manitowoc. Utiliser ces solutions sans tenir compte des instructions figurant sur les étiquettes est une violation de la loi fédérale. Lire et comprendre toutes les étiquettes sur les bouteilles avant utilisation.

L'accessoire AuCS® distribuera le nettoyant OU le désinfectant. Il ne peut pas distribuer les deux en même temps.

NETTOYANT POUR MACHINES À GLAÇONS MANITOWOC

Référence 94-0546-3

Référence 40-1326-3

Utiliser le nettoyant pour machines à glaçons pour contrôler les dépôts et éliminer la chaux de tartre ou tout autre dépôt minéral. Il ne « désinfectera » pas la machine à glaçons.

Il est recommandé de l'utiliser dans des endroits comportant de la chaux de tartre ou tout autre dépôt minéral mais n'ayant aucun problème de film biologique.

Modèle	Quantité de nettoyant distribué
Machine à glaçons de Machine à glaçons	3 oz (88 ml)
Machine à glaçons de 48"	6 oz (177 ml)

DÉSINFECTANT POUR MACHINES À GLAÇONS MANITOWOC

Référence 94-0565-3

Référence 40-1327-3

Le désinfectant pour machines à glaçons est utilisé pour désinfecter et contrôler les dépôts d'algues (film biologique) et toute autre croissance bactérienne. La machine à glaçons (ainsi que le bac ou le distributeur) doit être désinfectée périodiquement, conformément aux recommandations de Manitowoc et à la réglementation locale.

Il est recommandé de l'utiliser dans des endroits tels que pizzerias, bars, boulangeries, etc., qui ont des bactéries en suspension dans l'air (levure). Il est également recommandé de désinfecter les lieux qui n'ont pas de chaux de tartre (ou tout autre problème de dépôts minéraux).

Modèle	Quantité de désinfectant distribué
Machine à glaçons de 22 ou 30 po	3 oz (88 ml)
Machine à glaçons de 48 po	6 oz (176 ml)

Amorçage du tuyau

Le distributeur à pompe requiert un amorçage après l'installation initiale ou si le tuyau entre le réservoir et la pompe a été asséché par pompage ou que la tubulure entre la pompe et la machine à glaçons a été asséchée par pompage.

Avertissement

Ne pas souffler dans ni aspirer sur le tuyau pour tenter de l'amorcer.

Effectuer la procédure suivante :

1. Presser le bouton CLEAN [Nettoyer].
2. La pompe à eau et la soupape de décharge se mettront en marche. La soupape de décharge s'arrêtera au bout de 45 secondes environ.
3. La commande attend que l'eau entre en contact avec la sonde de niveau d'eau puis met sous tension la pompe AuCS® (machines à glaçons de 22 ou 30 po - 30 secondes, machines à glaçons de 48 po - 60 secondes).
4. Laisser la machine à glaçons finir le cycle de nettoyage ou de désinfection. Consulter la section « Fonctionnement de démarrage manuel » pour de plus amples détails.

Important

La procédure d'amorçage lance automatiquement le mode de nettoyage automatique. Après avoir commencé un cycle de fabrication de glaçons, la machine à glaçons fonctionnera pendant 6 cycles de rinçage et d'évacuation avant de fabriquer des glaçons.

Réglage de la fréquence des nettoyages

L'accessoire AuCS® est réglé en usine pour initier et compléter une séquence de nettoyage approximativement une fois tous les quinze jours.

iAuCS

Pour des nettoyages moins fréquents, utiliser le contrôleur pour sélectionner un intervalle.

1. Appuyer sur Menu.
2. Faire défiler jusqu'à Config et appuyer sur la flèche droite.
3. Faire défiler jusqu'à Durée AuCS et appuyer sur la flèche droite.
L'affichage indique :
AuCS Act
AuCS Dés
Config intev
Sortie
4. Sélectionner AuCS Act et appuyer sur la coche.
5. Sélectionner Config intev. L'affichage indique :
1/2 mois
1 mois
2 mois
3 mois
4 mois
5 mois
6 mois
Sortie
6. Sélectionner la durée souhaitée et appuyer sur la coche (1/2 mois, 1 mois, 2 mois, etc.).
7. Appuyer sur la flèche vers la gauche à plusieurs reprises pour quitter vers l'écran principal.

Important

L'emploi de l'accessoire est en sus du nettoyage et de la désinfection. L'accessoire AuCS® nettoiera les surfaces qui viennent en contact avec le système de distribution d'eau. Une maintenance périodique doit être effectuée tous les six mois incluant la désinfection de la machine à glaçons, du bac (ou du distributeur) et des superficies adjacentes, qui ne peuvent pas être en contact avec le système de distribution d'eau. Consulter les procédures de nettoyage/désinfection dans le manuel d'installation, d'utilisation et d'entretien de la machine à glaçons.

Avertissement

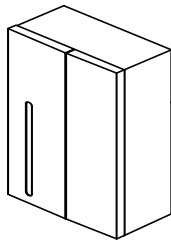
Lire et comprendre le présent manuel dans son intégralité avant d'utiliser l'accessoire AuCS®. Il faut comprendre tous les énoncés d'avertissement et de mise en garde, et respecter toutes les précautions de sécurité pour garantir un fonctionnement approprié de l'accessoire AuCS®.

Installation/Remplacement des bouteilles de nettoyant ou de désinfectant

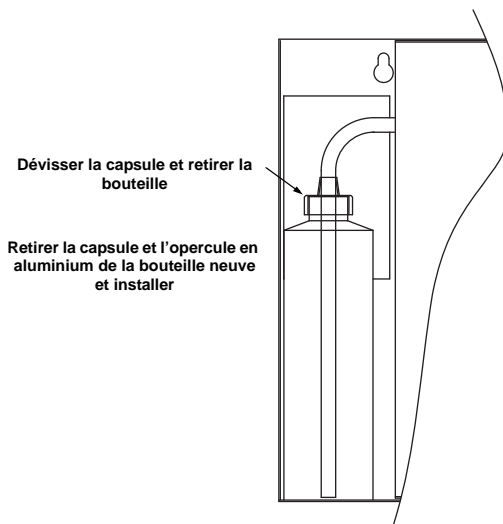
Attention

Ne pas mélanger les solutions nettoyantes et désinfectantes. Utiliser ces solutions sans tenir compte des instructions figurant sur les étiquettes est une violation de la loi fédérale.

1. Retirer le panneau gauche.



2. Dévisser la buse/tubulure de la bouteille puis retirer la bouteille.
3. Retirer la capsule et l'opercule en aluminium de la bouteille neuve.
4. Installer la buse/tubulure sur la bouteille neuve.
5. Remonter le panneau gauche.



Changer le type de solution

Attention

Porter des gants en caoutchouc et des lunettes de sécurité (et/ou un masque) lors de la manipulation du nettoyant et du désinfectant.

Attention

Ne pas mélanger les solutions nettoyantes et désinfectantes. Utiliser ces solutions sans tenir compte des instructions figurant sur les étiquettes est une violation de la loi fédérale.

Avertissement

Ne pas utiliser de bouteilles de 1 gallon de nettoyant ou de désinfectant sur l'accessoire AuCS®.

Effectuer la procédure suivante pour vidanger le système avant de passer du nettoyant au désinfectant ou du désinfectant au nettoyant.

1. Retirer la bouteille de nettoyant ou de désinfectant de l'accessoire AuCS®. Bien rincer la bouteille avant de la remplir d'eau.
2. Répéter la procédure suivante jusqu'à ce que la bouteille d'eau soit vide (approximativement 8 fois) :
 - A. Presser le bouton CLEAN [Nettoyer].
 - B. La pompe à eau et la soupape de décharge se mettront en marche. La soupape de décharge s'arrêtera au bout de 45 secondes environ.
 - C. La commande attend que l'eau entre en contact avec la sonde de niveau d'eau puis met sous tension la pompe AuCS® (machines à glaçons de 22 ou 30 po - 30 secondes, machines à glaçons de 48 po - 60 secondes).
 - D. Appuyer sur le bouton POWER une fois l'étape C terminée.
3. Installer une bouteille neuve de solution de nettoyant ou de désinfectant.

Fonctionnement automatique

Ce qui suit se produit lorsque la machine à glaçons est en mode de fabrication de glaçons :

- Le tableau de commande de la machine à glaçons compte le nombre de cycles de démoulage.
- Une séquence de nettoyage commence lorsque le compte de démoulages correspond au réglage de « Fréquence de nettoyage » de l'accessoire AuCS®.
- Lorsque la séquence de nettoyage est terminée (approximativement 30 minutes pour les modèles S, 24 minutes pour la Série Indigo), la fabrication de glaçons reprend automatiquement et le « Compte de démoulages » est remis à zéro.

Important

L'ouverture du commutateur de rideau interrompra la séquence de nettoyage. La séquence reprendra à partir du point d'interruption lorsque le rideau se referme.

REMARQUE : Le compte de démoulages est automatiquement remis à zéro une fois la séquence AuCS® est terminée. Il ne peut pas être remis à zéro en débranchant le fil modulaire, en changeant la position du commutateur, par une perte de courant, etc.

Important

L'emploi de l'accessoire est en sus du nettoyage et de la désinfection. L'accessoire AuCS® nettoiera les surfaces qui viennent en contact avec le système de distribution d'eau. Une maintenance périodique doit être effectuée tous les six mois incluant la désinfection du bac (ou du distributeur) et des surfaces adjacentes, qui ne peuvent pas être en contact avec le système de distribution d'eau. Consulter les procédures de nettoyage/désinfection dans le manuel d'installation, d'utilisation et d'entretien de la machine à glaçons.

Fonctionnement de démarrage manuel

Étape 1: Appuyer sur le bouton POWER une fois que les glaçons tombent de l'évaporateur à la fin d'un cycle de Démoulage. Ou mettre l'interrupteur en position OFF et laisser fondre la glace hors de l'évaporateur.

Attention

Ne jamais utiliser quoi que ce soit pour forcer la glace à sortir de l'évaporateur et ce, pour éviter tout dommage.

Étape 2: Pour commencer le système de nettoyage automatique, appuyer sur le bouton CLEAN. L'eau s'écoulera par le robinet d'évacuation d'eau et par l'évacuation d'eau. Le voyant Clean s'allumera pour indiquer que la machine à glaçons se trouve en mode nettoyage.

La pompe AuCS® se met automatiquement sous tension pour ajouter le nettoyant ou le désinfectant à la machine à glaçons.

Étape 3: La machine à glaçons temporisera automatiquement un cycle de lavage, suivi par des cycles de rinçage et s'arrêtera. Tout le cycle dure approximativement 24 minutes pour la Série Indigo.

Étape 4: La machine à glaçons commencera et finira la séquence de nettoyage, puis reprendra automatiquement la fabrication de glaçons.

Changement de position du commutateur pendant le fonctionnement automatique

Si un cycle de nettoyage est commencé puis arrêté avant que le robinet d'arrivée d'eau se mette sous tension ou que la pompe à eau commence (45 secondes après le début du cycle), le cycle de nettoyage sera annulé.

Si un cycle de nettoyage est commencé puis arrêté après que le robinet d'arrivée d'eau se mette sous tension (plus de 45 secondes après le début du cycle), il passe alors à la position :

FABRICATION DE GLAÇONS	La séquence de nettoyage reprend à partir du point d'interruption. Une fois la séquence de nettoyage terminée, le compteur se remet à zéro et la machine à glaçons reprend la fabrication de glaçons.
CLEAN	La séquence de nettoyage reprend à partir du point d'interruption. Une fois le cycle de nettoyage terminé, la machine à glaçons s'arrêtera et attendre que le cycle de fabrication de glaçons ou de nettoyage soit manuellement sélectionné.

Au bout de 45 secondes, la machine à glaçons terminera la séquence de nettoyage et ce, quelle que soit la position du commutateur à bascule.

Mise hors service/Hivérisation

Attention

Laisser des solutions dans l'accessoire AuCS® à des températures inférieures à 0 °C risque d'endommager gravement la pompe distributrice. Les dommages de cette nature ne sont pas couverts par la garantie.

Si l'accessoire AuCS® doit être mis hors service pendant de longues périodes ou s'il doit être exposé à des températures ambiantes de 0 °C (32 °F) ou moins, suivre cette procédure :

1. Retirer la bouteille de solution de nettoyage ou de désinfection.
2. Suivre les instructions sous la section « Amorçage de tuyau » pour pomper toute la solution de la pompe de distribution et de la conduite.

THIS PAGE INTENTIONALLY LEFT BLANK

Section 4

Service clientèle

Garantie de l'accessoire AuCS® (Système de nettoyage automatique)

Manitowoc Ice (ci-après appelée la « SOCIÉTÉ ») garantit, pendant une période de trente-six mois à compter de la date d'installation (exception faite de la limitation ci-dessous), que le nouvel accessoire AuCS® fabriqué par la SOCIÉTÉ est exempt de tout défaut de matériaux ou de fabrication à condition d'une utilisation et d'entretien normaux et appropriés tels que spécifiés par la SOCIÉTÉ, et avec une installation et une mise en service appropriées conformes au manuel d'instructions fourni avec l'accessoire AuCS®.

L'obligation de la SOCIÉTÉ en vertu de la présente garantie est limitée à la réparation ou au remplacement des pièces, des composants ou des ensembles qui, selon la SOCIÉTÉ, sont défectueux. La présente garantie est également limitée au coût des pièces, composants ou ensembles, et aux frais de main d'œuvre au salaire de base sur le lieu du service technique.

Les tarifs de taux de base et horaires, tels que publiés de temps à autre par la SOCIÉTÉ, s'appliquent à toutes les procédures de service. Les frais supplémentaires, y compris mais sans s'y limiter, le temps de déplacement, la majoration pour travail supplémentaire, le coût des matériaux, l'accès à l'accessoire AuCS® ou son retrait, ou encore l'expédition, sont à la charge du propriétaire, tout comme le sont l'entretien, les réglages et le nettoyage. Le travail couvert par la présente garantie doit être effectué par un représentant du service technique sous contrat de la SOCIÉTÉ ou par un organisme de service de réfrigération tel que qualifié et homologué par le distributeur local de la SOCIÉTÉ. La responsabilité de la SOCIÉTÉ en vertu de la présente garantie ne sera en aucun cas supérieure au prix d'achat réel payé par le client pour l'accessoire AuCS®.

La garantie précédente ne s'appliquera pas à (1) toute pièce ou tout ensemble qui auront été altérés, modifiés ou changés ; (2) toute pièce ou tout ensemble qui auront été soumis à une mauvaise utilisation, un abus, une négligence ou des accidents ; (3) toute solution de nettoyage ou de désinfection de machine à glaçons ; (4) tout accessoire AuCS® qui aura été installé et/ou entretenu à l'encontre des instructions techniques fournies par la SOCIÉTÉ ; ou (5) tout accessoire AuCS® qui aura été initialement installé plus de cinq ans à compter de la date de production du numéro de série.

L'accessoire AuCS® est conçu pour fonctionner uniquement avec le nettoyant et le désinfectant approuvés par Manitowoc sur les machines à glaçons de la SOCIÉTÉ.

LA PRÉSENTE GARANTIE REMPLACE TOUTES LES AUTRES GARANTIES DE TOUTE SORTE, EXPRESSES OU TACITES, Y COMPRIS TOUTE GARANTIE IMPLICITE DE QUALITÉ MARCHANDE OU D'ADAPTATION À UN USAGE PARTICULIER. En aucun cas, la SOCIÉTÉ ne peut être tenue responsable des dommages spéciaux, indirects, accessoires ou consécutifs. Lors de l'échéance de la période de garantie, la responsabilité de la SOCIÉTÉ en vertu de la présente garantie viendra à échéance. La garantie précédente constitue la seule responsabilité de la SOCIÉTÉ et le recours exclusif du client ou de l'utilisateur.

Pour assurer un service de garantie prompt et permanent, la carte de garantie doit être remplie et envoyée à la SOCIÉTÉ dans les cinq (5) jours suivant la date d'installation.

Remplir ce qui suit et conserver cette information :

Distributeur/Revendeur _____

Référence de modèle _____ Numéro de série _____

Date d'installation _____

MANITOWOC ICE

2110 So. 26th St., P.O. Box 1720, Manitowoc, WI 54221-1720 USA

Téléphone : 920-682-0161 • Fax : 920-683-7585

Site Web - www.manitowocice.com

Formulaire 80-0912-3 Rév. 01-02



MANITOWOC FOODSERVICE – ICE MACHINE DIVISION
2110 SOUTH 26TH STREET, MANITOWOC, WI 54220

800-545-5720
WWW.MANITOWOCICE.COM

Every new piece of Manitowoc Foodservice equipment comes with KitchenCare™ and you choose the level of service that meets your operational needs from one restaurant to multiple locations.

StarCare – Warranty & lifetime service, certified OEM parts, global parts inventory, performance audited

ExtraCare — CareCode, 24/7 Support, online/mobile product information

LifeCare – Install & equipment orientation, planned maintenance, KitchenConnect™, MenuConnect

Talk with KitchenCare™ • 1-844-724-CARE • www.mtwkitchencare.com



To learn how Manitowoc Foodservice and its leading brands can equip you, visit our global web site at www.manitowocfoodservice.com, then discover the regional or local resources available to you.

