

# Indigo™ Series 600 Ice Cube Machine

Model:  ID-0602A  IY-0604A  ID-0603W  IY-0605W  ID-0692N  IY-0694N



Indigo Series i-600  
Ice Machine on B-570 Bin

Designed for operators who know that ice is critical to their business, the Indigo™ Series ice machine's preventative diagnostics continually monitor itself for reliable ice production. Improvements in cleanability and programmability make your ice machine easy to own and less expensive to operate.

- **Space-Saving Design** – Up to 650 lbs. (295 kgs.) daily ice production and only 30" (76.20 cm) wide.
- **Intelligent Diagnostics** – provide 24 hour preventative maintenance and diagnostic feedback for trouble free operation.
- **Acoustical Ice Sensing Probe** – for reliable operation in challenging water conditions.
- **EasyRead Display** – communicates operating status, cleaning reminders, and asset information through a blue illuminated display.
- **Programmable Ice Production** – by On/Off Time, Ice Volume or Bin Level (with accessory bin level control) further improves energy efficiency and savings.
- **Easy to Clean Foodzone** – Hinged front door swings out for easy access. Removable water-trough, distribution tube, curtain, and sensing probes for fast and efficient cleaning. Select components made with AlphaSan® antimicrobial.
- **DuraTech™ Exterior** – provides superior corrosion resistance. Stainless finish with innovative clear-coat resists fingerprints and dirt.
- Available **LuminIce™ Growth Inhibitor** controls the growth of bacteria and yeast within the foodzone.

## Ice Machine Electric

208-230/60/1 standard.  
(230/50/1 also available)

### Minimum circuit ampacity:

Air Cooled: 10.2  
Water Cooled: 9.7  
Remote: 10.7

### Maximum fuse size:

Air Cooled: 15  
Water Cooled: 15  
Remote: 15

## Specifications

### BTU Per Hour:

9,000 (average) 13,900 (peak)

### Refrigerant:

R-404A CFC-free

### Operating Limits:

- Ambient Temperature Range: 35° to 110°F (1.7° to 43.3°C)  
Water Temperature Range: 35° to 90°F (1.7° to 32.2°C)
- Water Pressure Ice Maker  
Water In:  
Min. 20 psi (137.9 kPa)  
Max. 80 psi (551.1 kPa)



## Ice Shape



**Half Dice**  
3/8" x 1 1/8" x 7/8"  
(.95 x 2.86 x 2.22 cm)



**Dice**  
7/8" x 7/8" x 7/8"  
(2.22 x 2.22 x 2.22 cm)

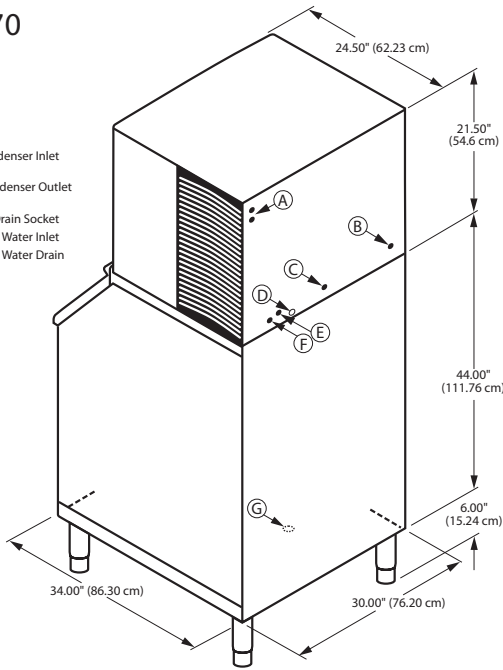




# Indigo™ Series 600 Ice Cube Machine

## i-600 on B-570 Storage Bin

- (A) Electrical Entrance (2) Options
- (B) 3/8" (0.95 cm) F.P.T. Water Condenser Inlet (water-cooled units)
- (C) 1/2" (1.27 cm) F.P.T. Water Condenser Outlet (water-cooled units)
- (D) 1/2" (1.27 cm) Auxillary Base Drain Socket
- (E) 3/8" (0.95 cm) F.P.T. Ice Making Water Inlet
- (F) 1/2" (1.27 cm) F.P.T. Ice Making Water Drain
- (G) 3/4" (1.91 cm) Bin Drain



**Installation Note**  
Minimum installation clearance:  
Top/sides: 8" (20.32 cm);  
Back is 5" (12.7 cm)

## Space-Saving Designs



	<b>i-600 B-400</b>	<b>i-600 B-570</b>
Height	59.50" 151.13 cm	71.50" 181.61 cm
Width	30.00" 76.20 cm	30.00" 76.20 cm
Depth	34.00" 86.30 cm	34.00" 86.30 cm
Bin Storage	290 lbs. 131.7 kgs.	430 lbs. 195.2 kgs.

Height includes adjustable bin legs 6.00" to 8.00", (15.24 to 20.32 cm) set at 6.00" (15.24 cm).

## Specifications

	Model	Ice Shape	Ice Production 24 Hours		Power Usage kWh/100 lbs. @90°Air/70°F 1 Ph	Water Usage/100 lbs. 45.4 kgs. of Ice Potable Water
			70°Air/ 50°F Water	90°Air/ 70°F Water		
<b>AIR-COOLED</b>	ID-0602A	dice	650 lbs.	475 lbs.	6.28	22.0 Gal.
			295 kgs.	215 kgs.		83.3 L
	IY-0604A	half-dice	650 lbs.	500 lbs.	6.14	22.0 Gal.
			295 kgs.	227 kgs.		83.3 L
<b>WATER-COOLED</b>	ID-0603W	dice	650 lbs.	560 lbs.	4.78	22.0 Gal.
			295 kgs.	254 kgs.		83.3 L
	IY-0605W	half-dice	650 lbs.	610 lbs.	4.68	22.0 Gal.
			295 kgs.	277 kgs.		83.3 L
* Water-cooled Condenser Water Usage / 100 lbs. /45.4 kgs. Of Ice: 157 gal./ 594 L. * Water-cooled models are excluded from ENERGY STAR qualification.						
<b>REMOTE-COOLED</b>	ID-0692N	dice	630 lbs.	520 lbs.	6.36	22.0 Gal.
			286 kgs.	236 kgs.		83.3 L
	IY-0694N	half-dice	630 lbs.	545 lbs.	6.28	22.0 Gal.
			286 kgs.	247 kgs.		83.3 L

Order ice storage bin separately. Ice storage bin and JC-0895 remote condenser must be ordered separately. Consult remote condenser specification sheet for details. To order 3 phase add "3" suffix to model # (ID-0602A3).

## Accessories

**LuminIce™ Growth Inhibitor**  
reduces yeast and bacteria growth for a cleaner ice machine.



**Bin Level Control**  
Allows ice bin level to be automatically set. Built-in LED light illuminates bin.



**Arctic Pure® Water Filters**  
Reduces sediment and chlorine odors for better tasting ice.



**AuCS®**  
schedules and performs routine ice machine cleaning automatically.

