

Accommodator



Filter Housing

FOR GAS FURNACES

ACCOMMODATOR TALL BASE

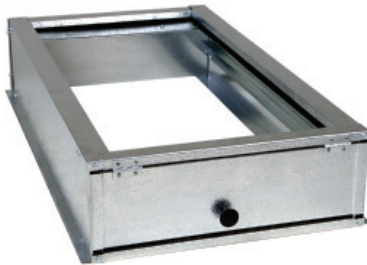
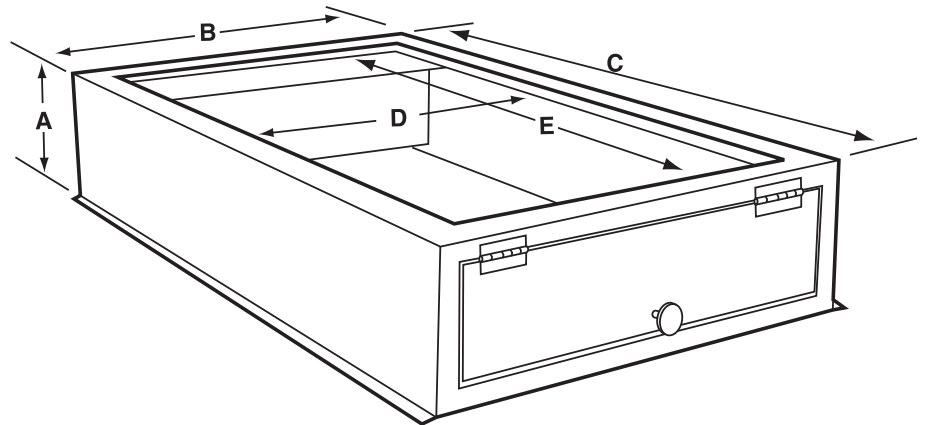
Height 5 3/4"

Handles 1", 2" or 4" filters

ACCOMMODATOR SHORT BASE

Height 3 3/4"

Handles 1" or 2" filters



- New hinged door for easy access
- Built for standard filters
- Gasketed door ensures tight seal
- Fully insulated
- Sizes to fit all furnaces through 5 tons

SPECIFICATIONS FOR GAS FURNACES

Accommodator Short

PART #	OUTSIDE DIMENSION			DUCT OPENING		FILTER SIZE
	A	B	C	D	E	
ACG 1425-3	3 3/4	15 3/8	28 1/2	12 7/8	26 1/2	14 x 25
ACG 1625-3	3 3/4	17 3/8	28 1/2	14 7/8	26 1/2	16 x 25
ACG 2025-3	3 3/4	21 3/8	28 1/2	18 7/8	26 1/2	20 x 25
ACG 2424-3	3 3/4	25 3/8	28 1/2	22 7/8	26 1/2	24 x 24
ACG 3025-3	3 3/4	31 3/8	28 1/2	28 5/8	26 1/2	30 x 25

SPECIFICATIONS FOR GAS FURNACES

Accommodator Tall

PART #	OUTSIDE DIMENSION			DUCT OPENING		FILTER SIZE
	A	B	C	D	E	
ACG 1425-6	5 3/4	15 3/8	28 1/2	12 7/8	26 1/2	14 x 25
ACG 1625-6	5 3/4	17 3/8	28 1/2	14 7/8	26 1/2	16 x 25
ACG 2025-6	5 3/4	21 3/8	28 1/2	18 7/8	26 1/2	20 x 25
ACG 2424-6	5 3/4	25 3/8	28 1/2	22 7/8	26 1/2	24 x 24
ACE 3025-6	5 3/4	31 3/8	28 1/2	28 5/8	26 1/2	30 x 25

NOTE

1", 2" or 4" filter option

Filter may be purchased at your local wholesaler or distributor