

Project: _____

Tag: _____

Engineer: _____

Contractor: _____

Date: _____

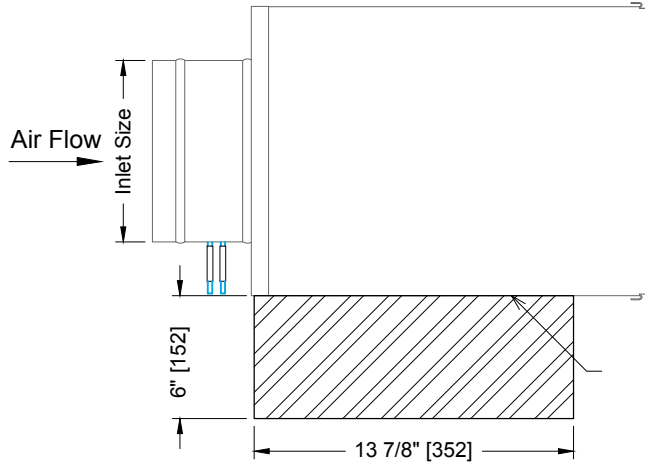
 SINGLE DUCT AIR TERMINAL UNIT
 MODEL: PH500

SUBMITTAL: PH500-001

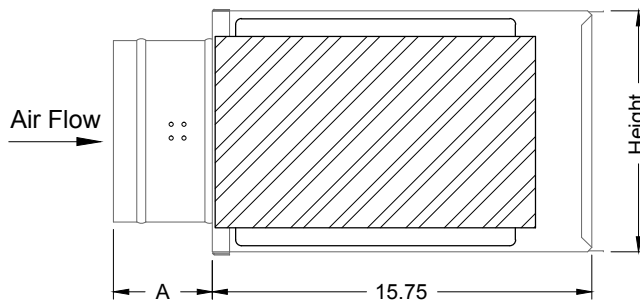
Model Number	Inlet Size		A		Width		Height		Unit wt.	
	in.	mm.	in.	mm.	in.	mm.	in.	mm.	lb.	kg.
PH504	3 7/8	99	10	254	12	305	8	203	12	5
PH505	4 7/8	124	10	254	12	305	8	203	12	5
PH506	5 7/8	149	5	127	12	305	8	203	12	5
PH508	7 7/8	200	5	127	12	305	10	254	15	7
PH510	9 7/8	251	5	127	14	356	12 1/2	318	18	8
PH512	11 7/8	302	5	127	16	406	15	381	22	10
PH514	13 7/8	353	5	127	20	508	17 1/2	445	24	11
PH516	15 7/8	403	5	127	24	610	18	457	29	13
PH520	19 7/8 x	505 x	5	127	30	762	20	508	47	21
	15 7/8	403								
PH524	23 7/8 x	607 x	5	127	38	965	20	508	58	26
	15 7/8	403								

Standard Construction

- 1/2" Dual Density, Coated Fiberglass
- All Insulations Meet NFPA 90A And UL 181
- Slip And Drive Discharge Connection
- All Fiberglass Insulations Have Coated Edges To Prevent Fiber Migration
- Units Are Constructed With 22 Gauge Casing & Inlet Duct And 18 Gauge Equivalent Damper Assembly With Integral Blade Seal



Top View



Side View

Revision: A

Date: 07/21/2015

Dimensions are in Inches

Page: 1 of 1