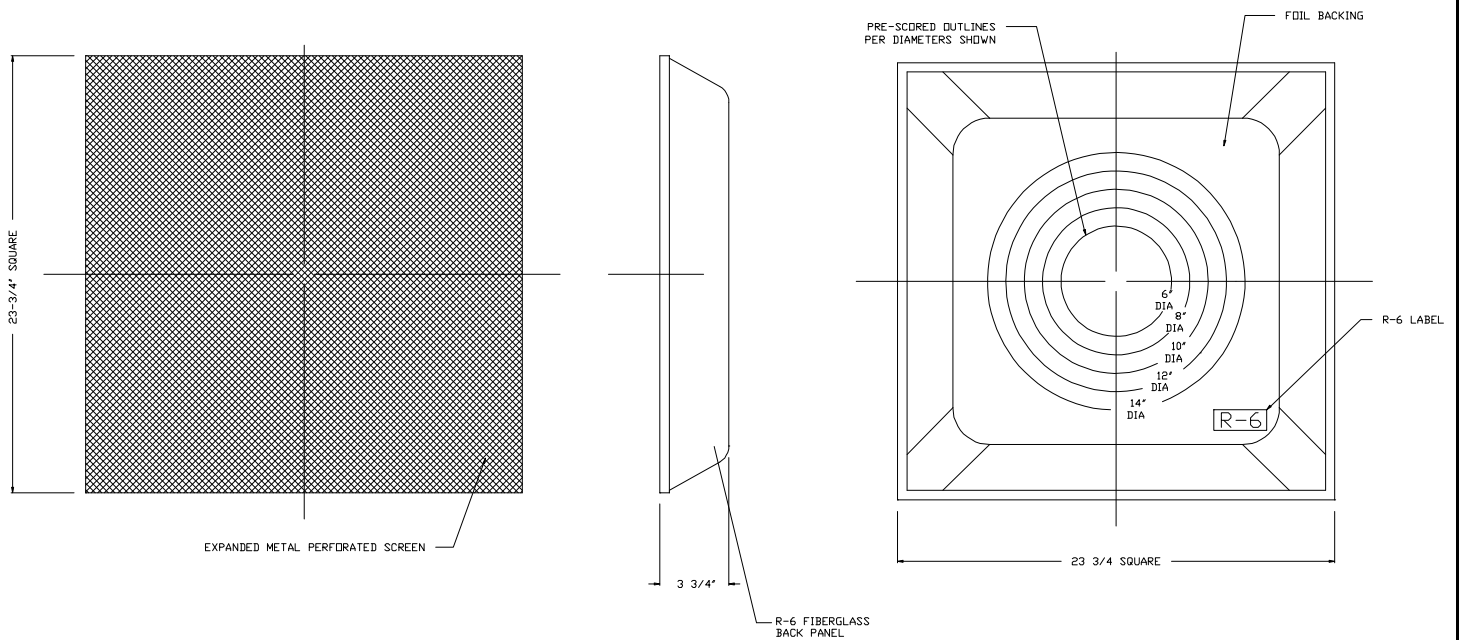


MODEL 7300R-6 – EXPANDED METAL RETURN, R6 MOLDED BACK, T-BAR

1. STEEL CONSTRUCTION
2. 24" x 24" T-BAR LAY-IN
3. EXPANDED METAL FACE PANEL
4. R6 MOLDED FIBERGLASS BACK PANEL
5. USED FOR RETURN AIR APPLICATIONS
6. WHITE (01) FINISH



Submittal No. 7300R-6

Revision:

Date: 08/01/2017

Submitted by:

Date submitted: