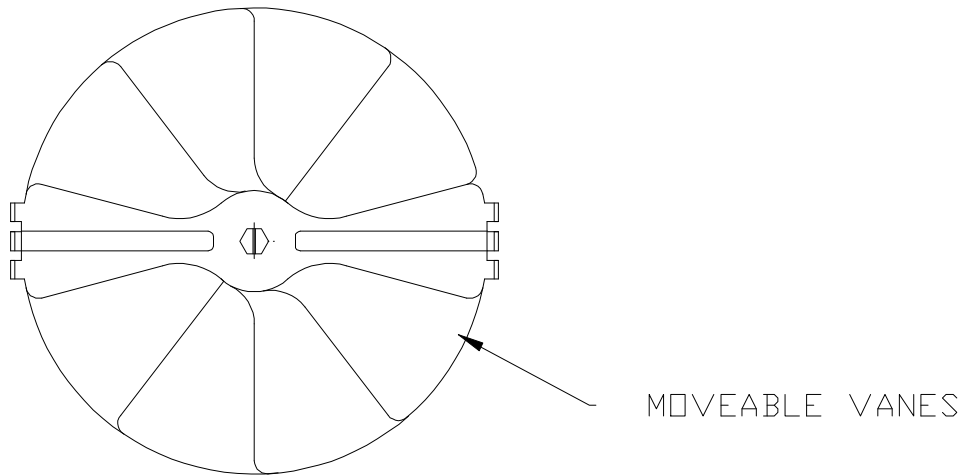
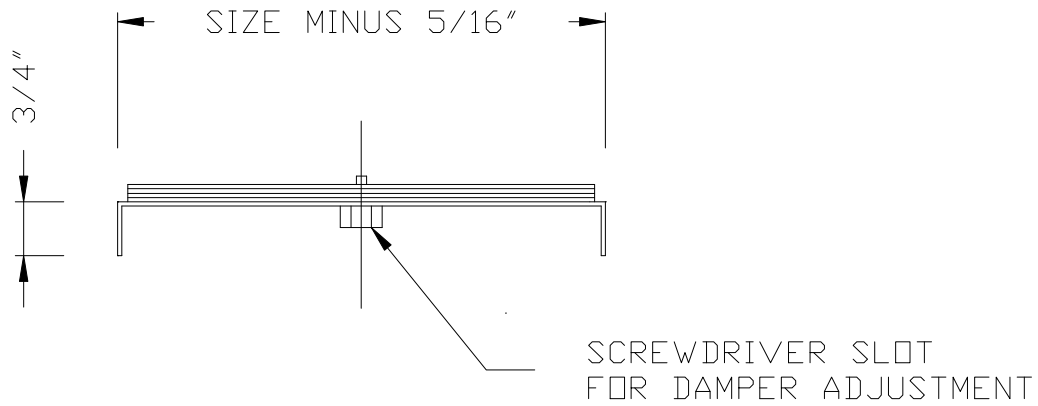


MODEL RSD – RADIAL SHUTTER DAMPER

1. STEEL CONSTRUCTION
2. RADIAL SHUTTER STYLE DAMPER
3. 5 BLADES ARE ADJUSTED THROUGH DIFFUSER FACE
4. SCREWDRIVER ADJUSTABLE
5. CLIPS TO TOP OF COLLARS
6. MILL (24) FINISH



RSD			
Dia			
6"	8"	10"	12"
X	X	X	X

Submittal No. RSD

Revision:

Date: 08/01/2017

Submitted by:

Date submitted: