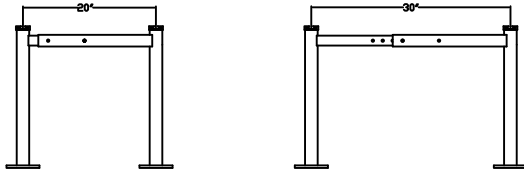


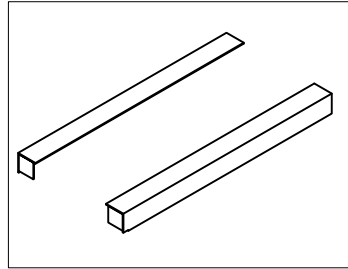
AS10S (Standard duty)

STANCE RANGES FROM 20" TO 30"



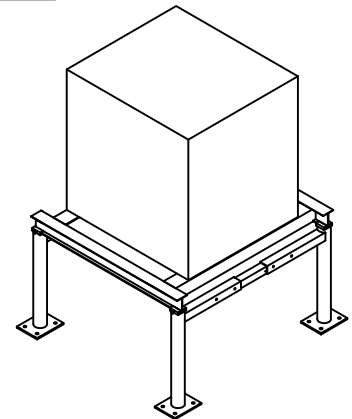
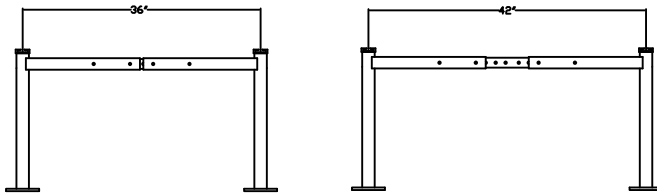
AS10CAB

Aluminum cross mounting angle - when the condensing unit is too narrow to sit on the required stand, a set AS10CAB's allow for unit installation.



AS10H (Heavy duty)

STANCE RANGES FROM 36" TO 42"



PART #	DESCRIPTION	FRAME SIZE
AS10S18	Alum Stand Leg Asmby, 2010 FBC 20-30" spread, 18" tall	18"
AS10S24	Alum Stand Leg Asmby, 2010 FBC 20-30" spread, 24" tall	24"
AS10S30	Alum Stand Leg Asmby, 2010 FBC 20-30" spread, 30" tall	30"
AS10H18	Alum Stand Leg Asmby, 2010 FBC 36-42" spread, 18" tall	18"
AS10H24	Alum Stand Leg Asmby, 2010 FBC 36-42" spread, 24" tall	24"
AS10H30	Alum Stand Leg Asmby, 2010 FBC 36-42" spread, 30" tall	30"
AS10I-3	Alum Stand I-Beam, 2010 FBC, 3'	3'
AS10I-6	Alum Stand I-Beam, 2010 FBC, 6'	6'
AS10I-9	Alum Stand I-Beam, 2010 FBC, 9'	9'
AS10I-12	Alum Stand I-Beam, 2010 FBC, 12'	12'
AS10I-15	Alum Stand I-Beam, 2010 FBC, 15'	15'
AS10I-18	Alum Stand I-Beam, 2010 FBC, 18'	18'
AS10CAB-30	3"x3"x1/8" In-Beam Cross Mount Angle for 30" spread	30"
AS10CAB-36	3"x3"x1/8" In-Beam Cross Mount Angle for 36" spread	36"
AS10CAB-42	3"x3"x1/8" In-Beam Cross Mount Angle for 42" spread	42"

AS10S/AS10H

 ALUMINUM CONDENSING UNIT STAND
 PRODUCT INFORMATION SHEET