

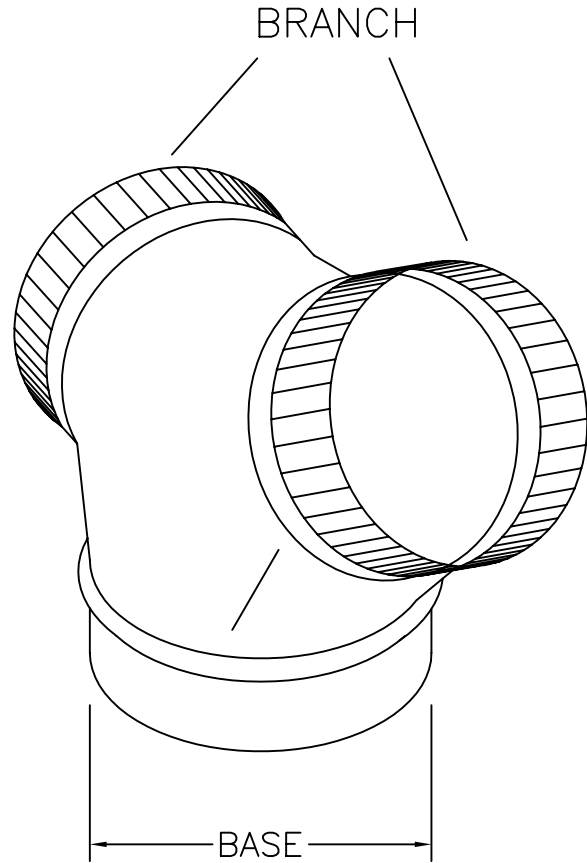


**STANDARD CONSTRUCTION**

MATERIAL:  
24/26/28/30 GAUGE ASTM A-653 HOT-DIPPED GALVANIZED STEEL SHEET

STANDARD SIZES:

MODEL	SIZE BASE X BRANCH X BRANCH	GAUGE	QTY.
BNW43	4" X 3" X 3"	30	15
BNW44	4" X 4" X 4"	30	15
BNW54	5" X 4" X 4"	30	15
BNW55	5" X 5" X 5"	30	15
BNW64	6" X 4" X 4"	30	15
BNW66	6" X 6" X 6"	30	15
BNW86	8" X 6" X 6"	30	15
BNW108	10" X 8" X 8"	28	1
BNW1210	12" X 10" X 10"	28	1
BNW1212	12" X 12" X 12"	28	1
BNW1412	14" X 12" X 12"	28	1
BNW1814	18" X 14" X 14"	26	1
BNW2016	20" X 16" X 16"	26	1
BNW2218	22" X 18" X 18"	26	1
BNW2418	24" X 18" X 18"	24	1
BNW2420	24" X 20" X 20"	24	1



**FEATURES**

GALVANIZED STEEL PROVIDES EXCELLENT CORROSION RESISTANCE AND LONGEVITY.

FEMALE CONNECTION AT THE BASE.

CRIMPED MALE CONNECTIONS ON THE BRANCHES.

OPTIONS: CUSTOM SIZES AVAILABLE.

JOB NAME:
LOCATION:
ARCHITECT:
ENGINEER:
CONTRACTOR:
CONTACT MIAMI TECH INC. FOR ADDITIONAL INFORMATION OR WITH SPECIAL REQUIREMENTS. 3611 NW 74TH ST MIAMI, FL 33147 PHONE: 305-693-7054 FAX: 305-693-6152 WEB: WWW.MIAMITECH.COM EMAIL: SALES@MIAMITECH.COM

**BNW**

BULL NOSE WYE  
PRODUCT SPECIFICATIONS

NOTE: ALL DRAWINGS SUBJECT TO CHANGE WITHOUT PRIOR NOTICE.



DRAWN BY: AF	DATE: 10/31/07	SCALE: NOT TO SCALE	DRAWING NO.
CHECKED BY: IG	DATE: 10/31/07	REVISION: 1	

BNW