



STANDARD CONSTRUCTION

MATERIAL:
30 GAUGE ASTM A-653 HOT-DIPPED GALVANIZED STEEL SHEET

INSULATION:
R6 OR R8 BLACK DIFFUSER BOARD

R6 STANDARD SIZES:

FEATURES

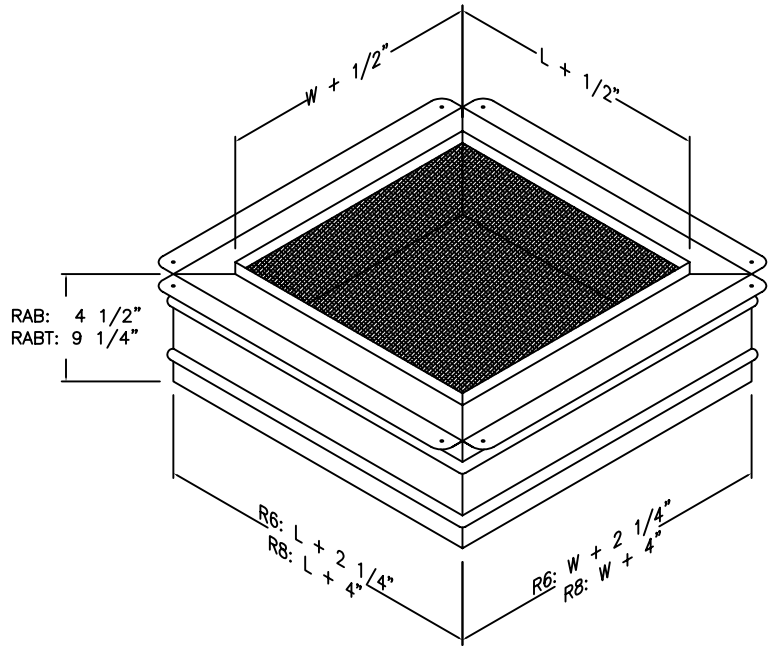
30 GAUGE GALVANIZED STEEL PROVIDES EXCELLENT CORROSION RESISTANCE AND LONGEVITY.

1/2" OVERSIZED TO ACCOMMODATE FILTER GRILLES.

COMES IN STANDARD (RAB) OR TALL (RABT) SIZES.

BLACK DIFFUSER BOARD COATED WITH EPA REGISTERED ANTI-MICROBIAL PROTECTIVE ACRYLIC AGENT ALONG AIR STREAM SIDE.

OPTION: CUSTOM SIZES AVAILABLE.



STANDARD	BOX QTY	TALL	W X L	BOX QTY
R6RAB 1212	12	R6RABT 1212	12x12"	1
R6RAB 1414	8	R6RABT 1414	14x14"	1
R6RAB 1616	8	R6RABT 1616	16x16"	1
R6RAB 1812	8	R6RABT 1812	18x12"	1
R6RAB 1818	7	R6RABT 1818	18x18"	1
R6RAB 2020	6	R6RABT 2020	20x20"	1
R6RAB 2412	6	R6RABT 2412	24x12"	1
R6RAB 2418	6	R6RABT 2418	24x18"	1
R6RAB 2424	6	R6RABT 2424	24x24"	1
R6RAB 3018	5	R6RABT 3018	30x18"	1
R8RAB 1212	1	R8RABT 1212	12x12"	1
R8RAB 1414	1	R8RABT 1414	14x14"	1
R8RAB 1616	1	R8RABT 1616	16x16"	1
R8RAB 1812	1	R8RABT 1812	18x12"	1
R8RAB 1818	1	R8RABT 1818	18x18"	1
R8RAB 2020	1	R8RABT 2020	20x20"	1
R8RAB 2412	1	R8RABT 2412	24x12"	1
R8RAB 2418	1	R8RABT 2418	24x18"	1
R8RAB 2424	1	R8RABT 2424	24x24"	1
R8RAB 3018	1	R8RABT 3018	30x18"	1

JOB NAME:
LOCATION:
ARCHITECT:
ENGINEER:
CONTRACTOR:
CONTACT MIAMI TECH INC. FOR ADDITIONAL INFORMATION OR WITH SPECIAL REQUIREMENTS.
3611 NW 74TH ST MIAMI, FL 33147 PHONE: 305-693-7054 FAX: 305-693-6152
WEB: WWW.MIAMITECH.COM EMAIL: SALES@MIAMITECH.COM

R6/8RAB & RABT

RETURN AIR REGISTER BOX
PRODUCT SPECIFICATIONS

NOTE: ALL DRAWINGS SUBJECT TO CHANGE WITHOUT PRIOR NOTICE.



DRAWN BY: AV	DATE: 1/25/11	SCALE: NOT TO SCALE	DRAWING NO. RAB/ RABT
CHECKED BY: IV	DATE: -	REVISION: 1	